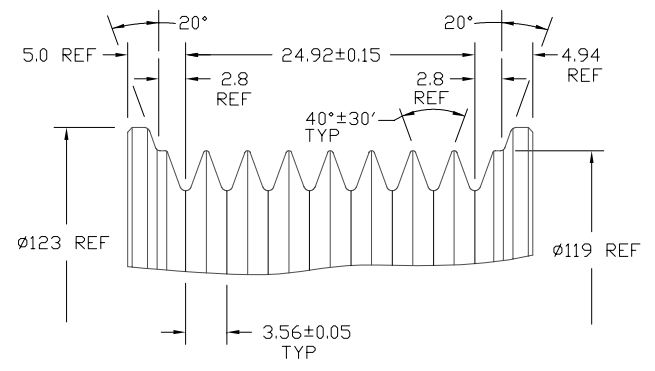
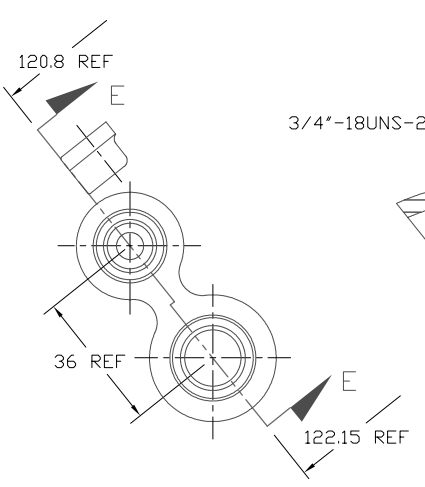


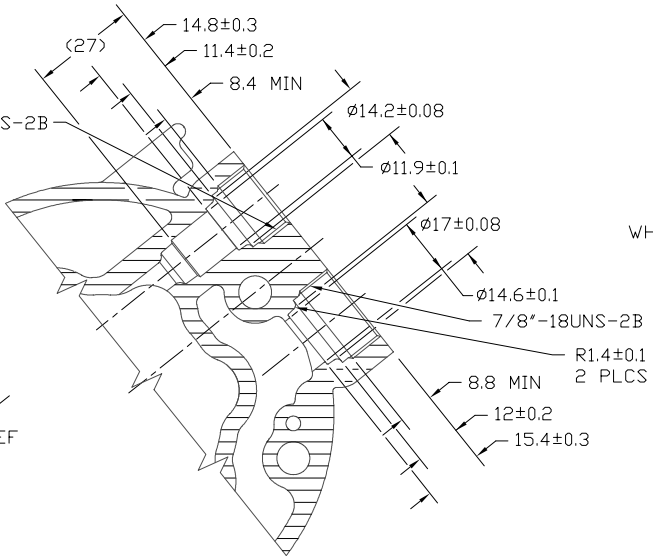
PDCN.	NO.	REV.	DATE	REVISIONS	DWN	DSGN	CHK	APPV
		A		INITIAL ISSUE				
2006310		B	01/25/07	PRV CHANGE: 4307-6470 WAS 4967-6470 224 MAX WAS 223 MAX	RSR	JW	DRL	RM



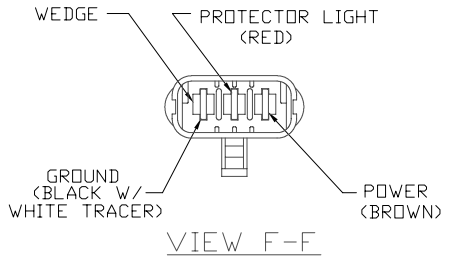
DETAIL C
SCALE: 3:1



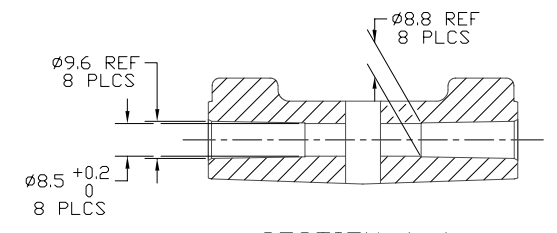
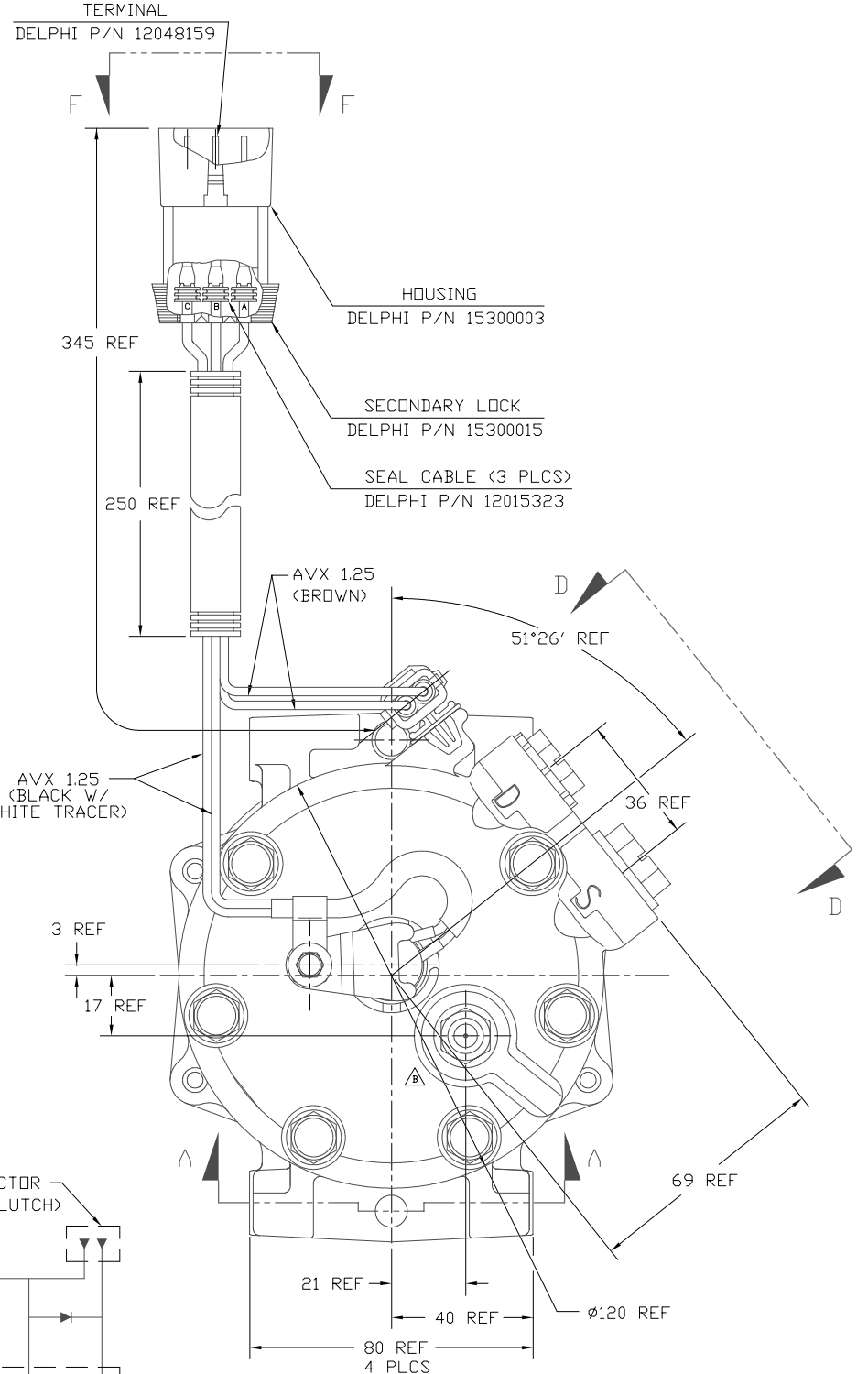
VIEW D-D
(VIEW SHOWN WITH SEAL CAPS PLATE AND CONNECTOR REMOVED)



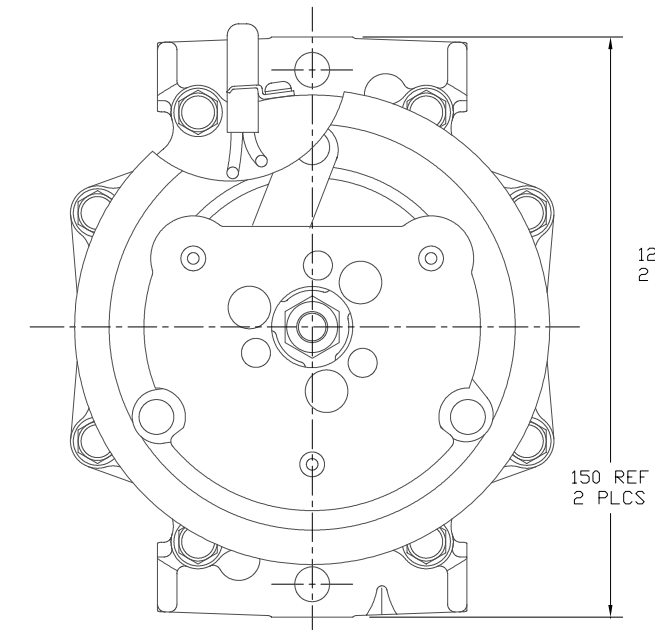
SECTION E-E



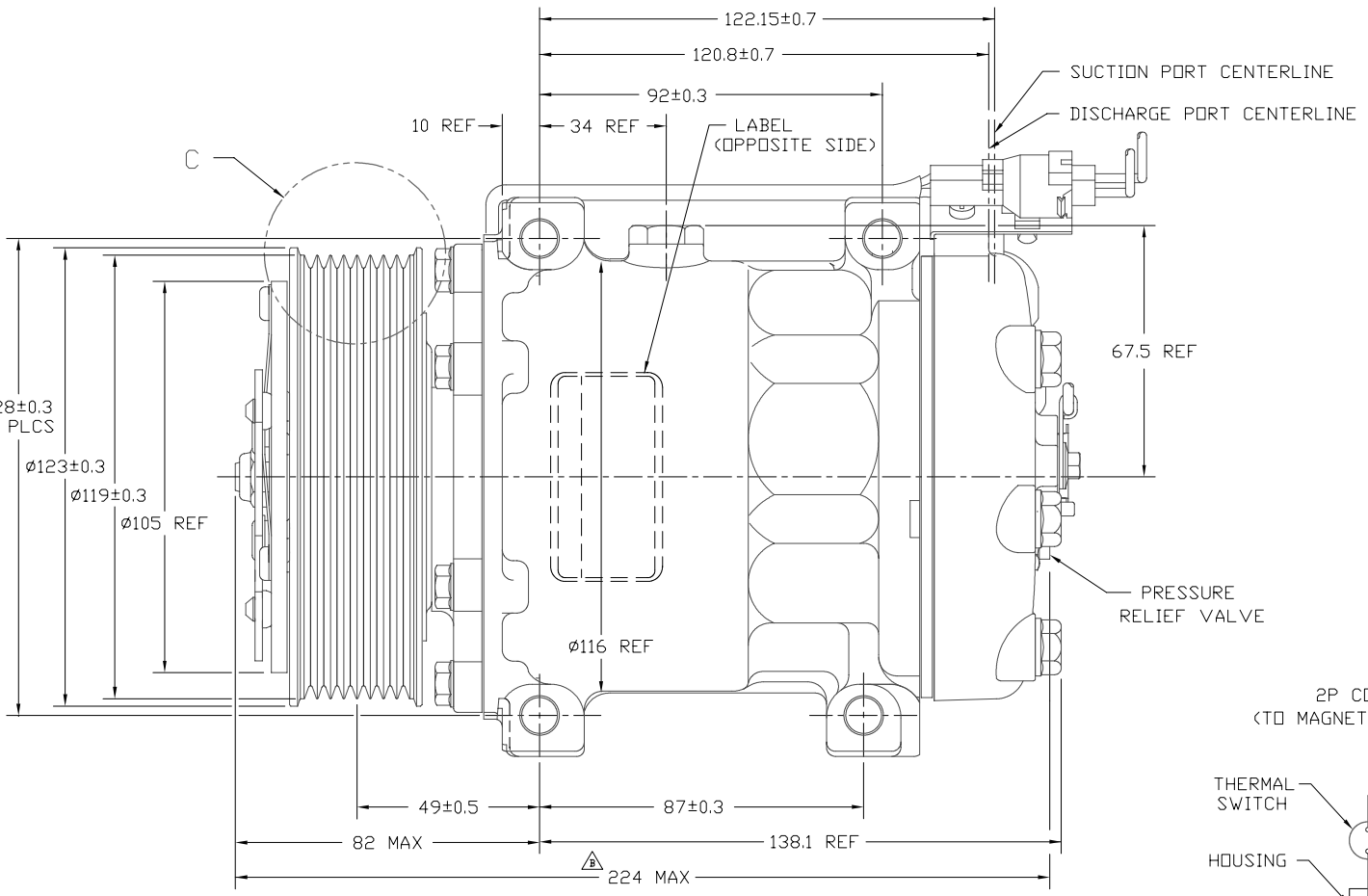
VIEW F-F



SECTION A-A



CLOCKWISE ROTATION

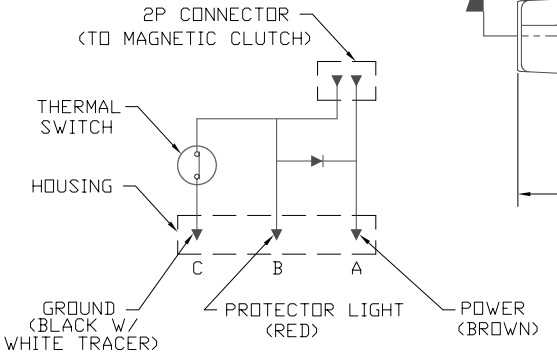


COMPRESSOR SPECIFICATIONS (REF)

DISPLACEMENT PER REVOLUTION	154.9 cc / rev. (9.5cu.in. / rev.)
MAXIMUM ALLOWABLE R.P.M.	6000 R.P.M.
MAXIMUM ALLOWABLE CONTINUOUS R.P.M.	4000 R.P.M.
REFRIGERANT	R134a
OIL (SP-15)	300 cc (10.1 floz.)

CLUTCH SPECIFICATIONS (REF)

RATED VOLTAGE	DC 12V
BREAKAWAY TORQUE	3.5 kgf-m min. @ 12V
MINIMUM ENGAGEMENT VOLTAGE	7.5V @ AIR GAP 0.6mm
POWER CONSUMPTION	49 watts max.
BELT TYPE	PV8 TYPE
MAXIMUM ALLOWABLE BELT TENSION	120 kgf
PULLEY DIAMETER	119mm (4.68 in.)
CLUTCH TYPE	HEAVY DUTY



CIRCUIT DIAGRAM

DO NOT SCALE

REV. LEVEL	RELEASED FOR:	DESIGN DEVELOPMENT	CHK	APPV	DATE	SCALE	REF	PLOTTED SCALE	REF	UNIT
A	Mark Harrington	KS	HIF	NB	JC	1:1		NONE		METRIC
A	Mark Harrington	KS	HIF	NB	JC	4/12/04				
A	Mark Harrington	KS	HIF	NB	JC	4/13/2004				
A	Mark Harrington	KS	HIF	NB	JC	4/13/2004				
A	Mark Harrington	KS	HIF	NB	JC	4/13/2004				

SANDEN
 SANDEN INTERNATIONAL (U.S.A.), INC.
 INTERPRETATION OF THIS DRAWING PER ASME Y14.5M-1994
 THIRD ANGLE PROJECTION
 MODEL: _____
 NAME: **COMPRESSOR**
 DWG. NO: **4486-6000**
 REV: **B**