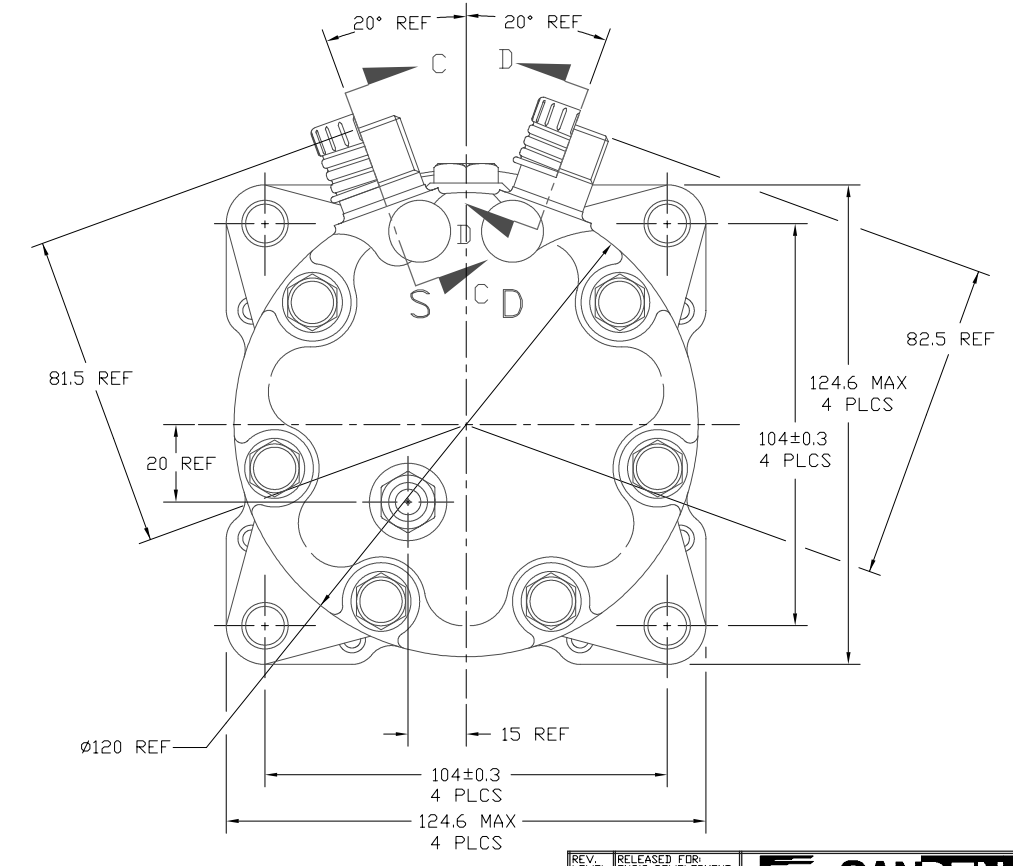
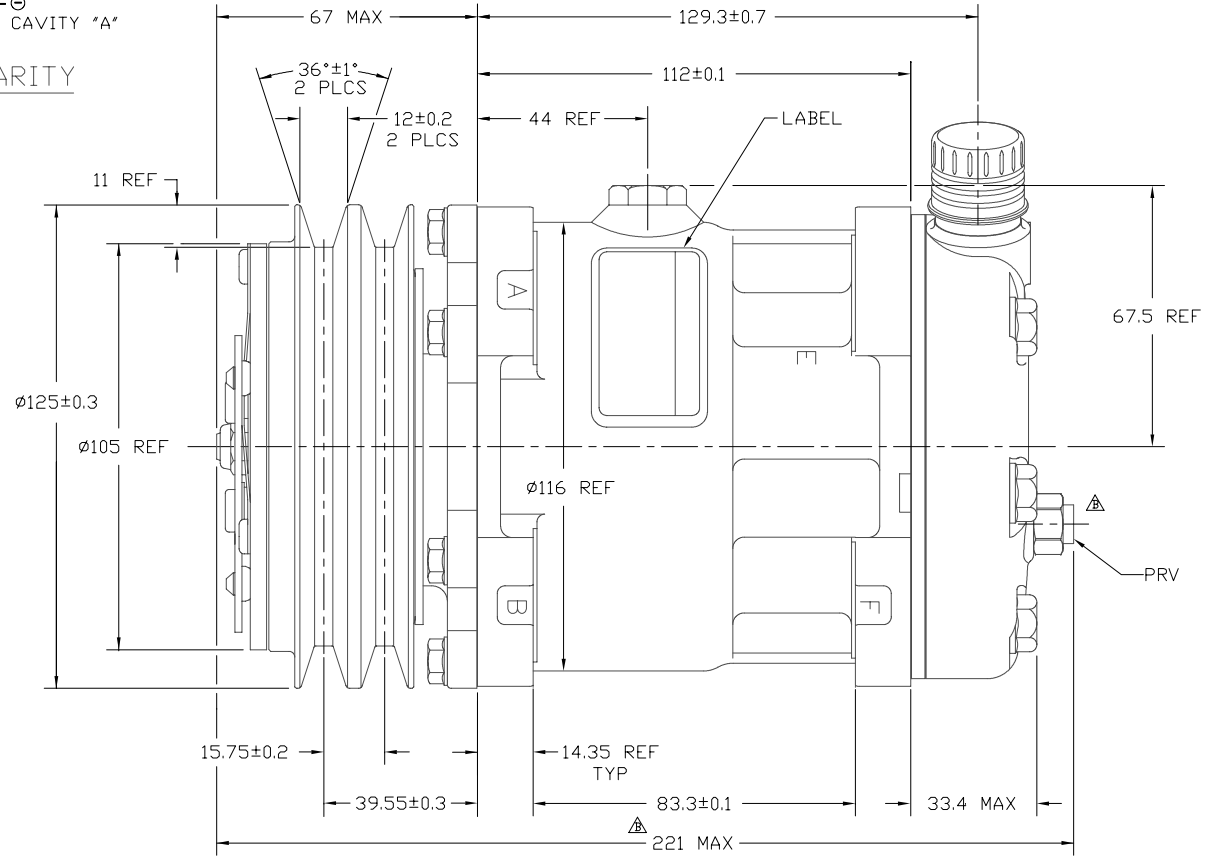
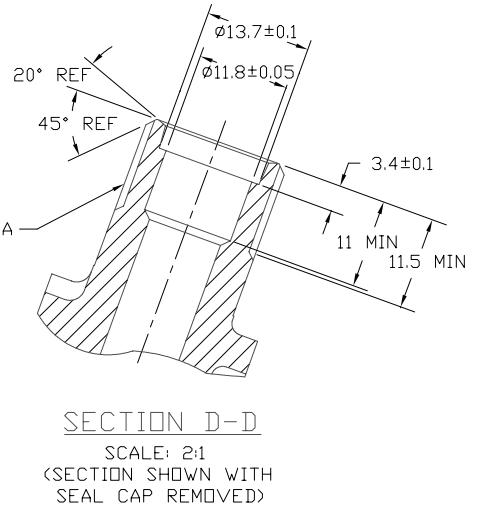
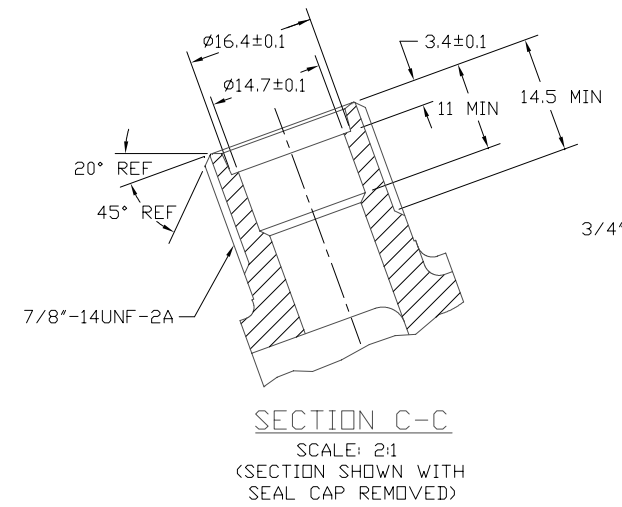
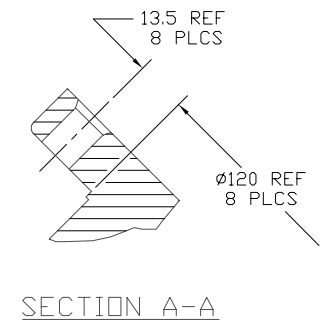
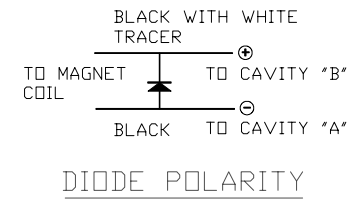
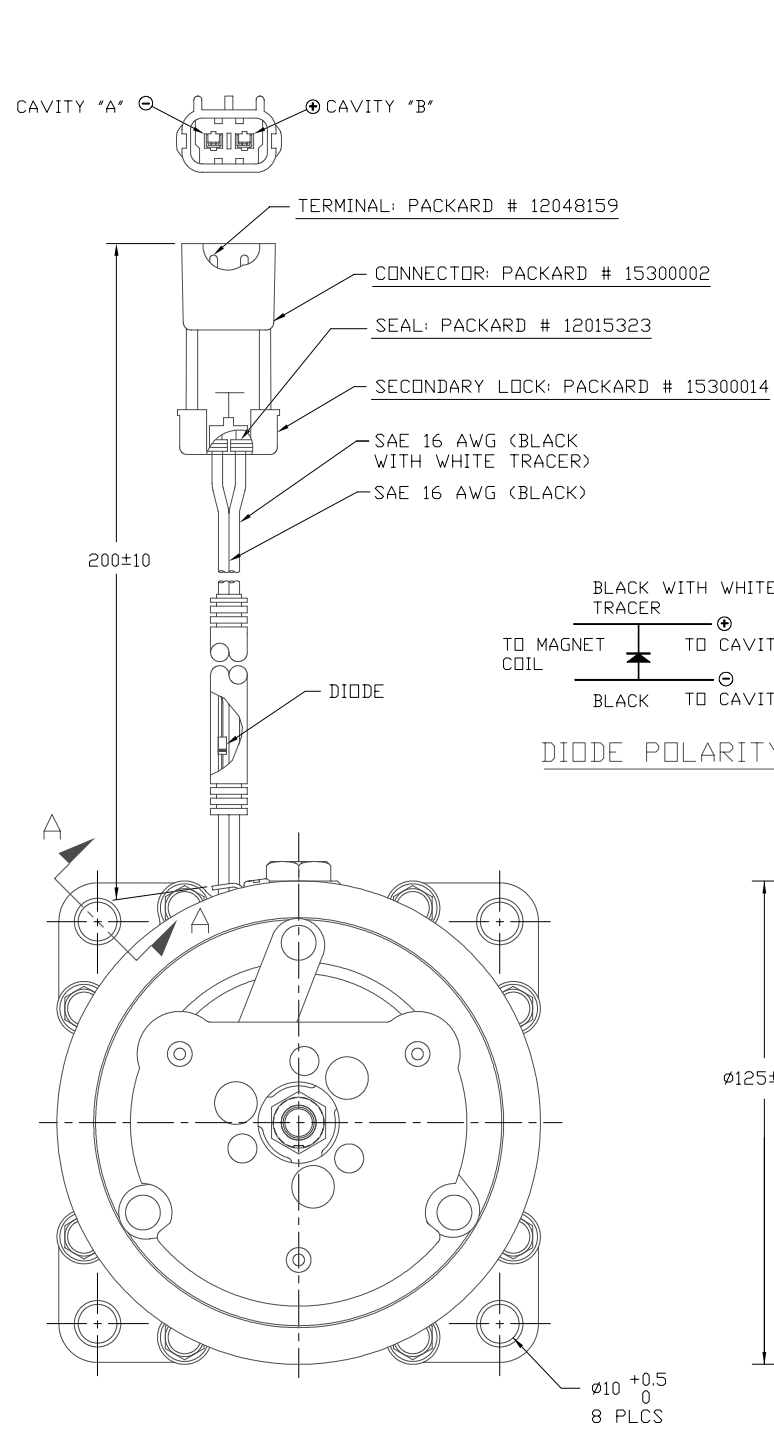


PDCN	REV.	APPV DATE	REVISIONS	DWN	DSGN	CHK	APPV
	△		INITIAL RELEASE				
2006310	△	01/25/07	221 MAX WAS 220 MAX PRV CHANGE: 4307-6470 WAS 4967-6470	RSR	JW	DRL	RM



COMPRESSOR SPECIFICATIONS (REF)

DISPLACEMENT PER REVOLUTION	154.9 cc / rev. ( 9.5cu.in. / rev. )
MAXIMUM ALLOWABLE R.P.M.	8000 R.P.M.
MAXIMUM ALLOWABLE CONTINUOUS R.P.M.	6000 R.P.M.
REFRIGERANT	R134a
OIL ( SP-15 )	300 cc ( 10.1 fl.oz. )
WEIGHT	7.6 kgf ( 16.8 lb. )

CLUTCH SPECIFICATIONS (REF)

RATED VOLTAGE	DC 12V
BREAKAWAY TORQUE	3.5 kgf-m min. @ 12V
MINIMUM ENGAGEMENT VOLTAGE	7.5V @ AIR GAP 0.6mm
POWER CONSUMPTION	49 watts max.
BELT TYPE	A TYPE
MAXIMUM ALLOWABLE BELT TENSION	60 kgf per belt
PULLEY DIAMETER	∅125 mm ( 4.9 in. )
CLUTCH TYPE	HEAVY DUTY

DO NOT SCALE

REV. LEVEL	RELEASED FOR: ENG'G DEVELOPMENT	<p>SANDEN INTERNATIONAL ( U.S.A. ), INC.</p>
DWN	KS HIF	
CHK	Mark Harrington	DRAWN SCALE REF 1:1 PLOTTED SCALE REF NONE METRIC
APPV.	NB JC	<p>This drawing and the information contained hereon are CONFIDENTIAL and PROPRIETARY to Sanden International (U.S.A.), Inc., are received in CONFIDENCE and shall not be used, copied, or disclosed to others without the written permission of Sanden International (U.S.A.), Inc.</p>
DATE	4/12/04	
REV. LEVEL	RELEASED FOR: DESIGN VALIDATION	INTERPRETATION OF THIS DRAWING PER ASME Y14.5M-1994
DWN	KS HIF	THIRD ANGLE PROJECTION
APPV.	NB JC	SIZE D
DATE	4/13/2004	
REV. LEVEL	RELEASED FOR: PRODUCTION VAL'D.	MATERIAL:
DWN	KS HIF	
APPV.	NB JC	NAME
DATE	4/13/2004	COMPRESSOR
REV. LEVEL	RELEASED FOR: PRODUCTION	DWG. NO.
DWN	KS HIF	4484-6000
APPV.	NB JC	REV
DATE	4/13/2004	B