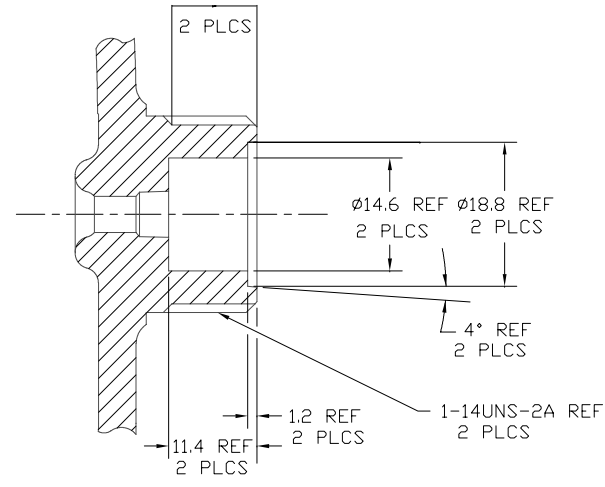
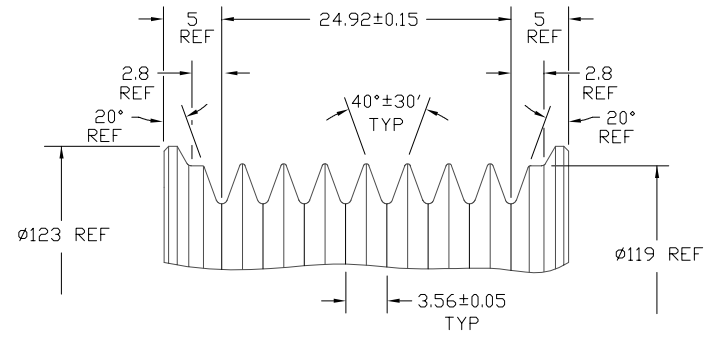
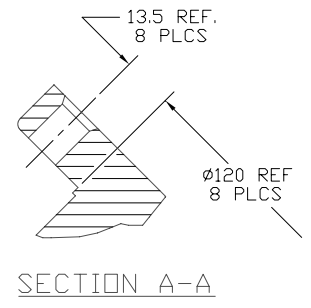
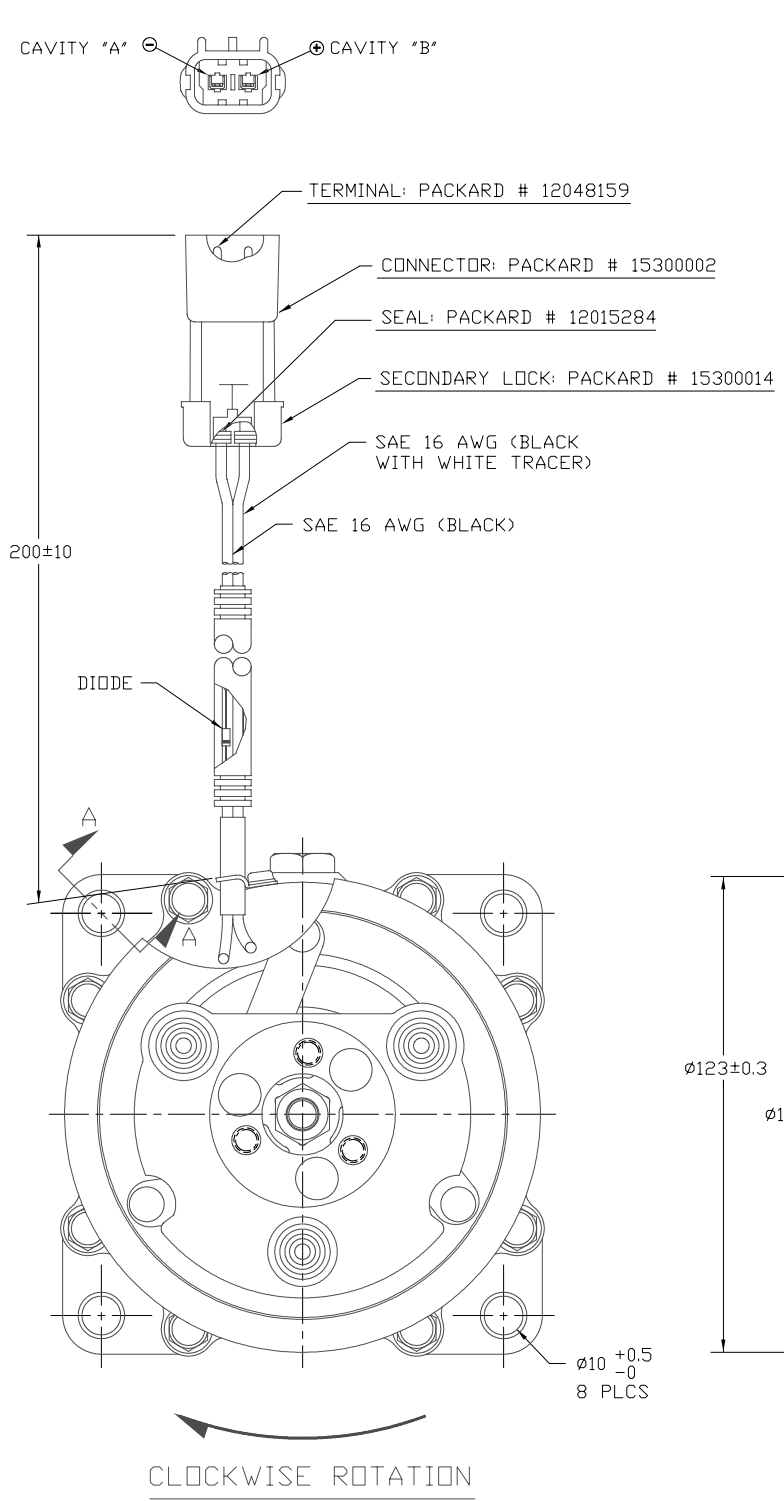
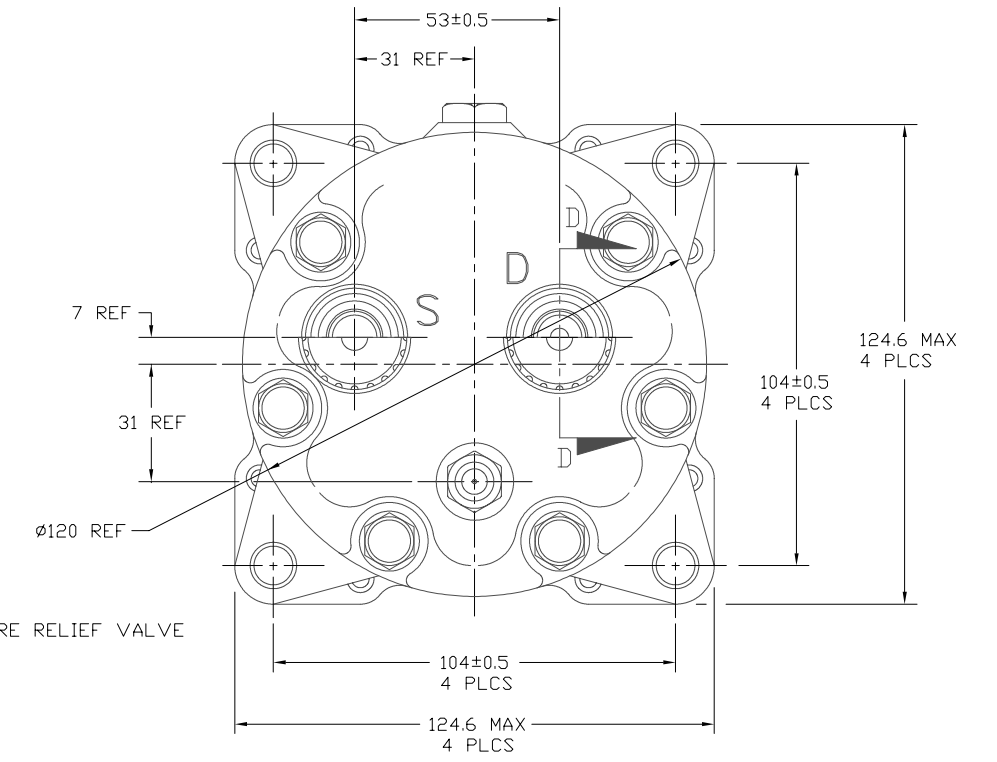
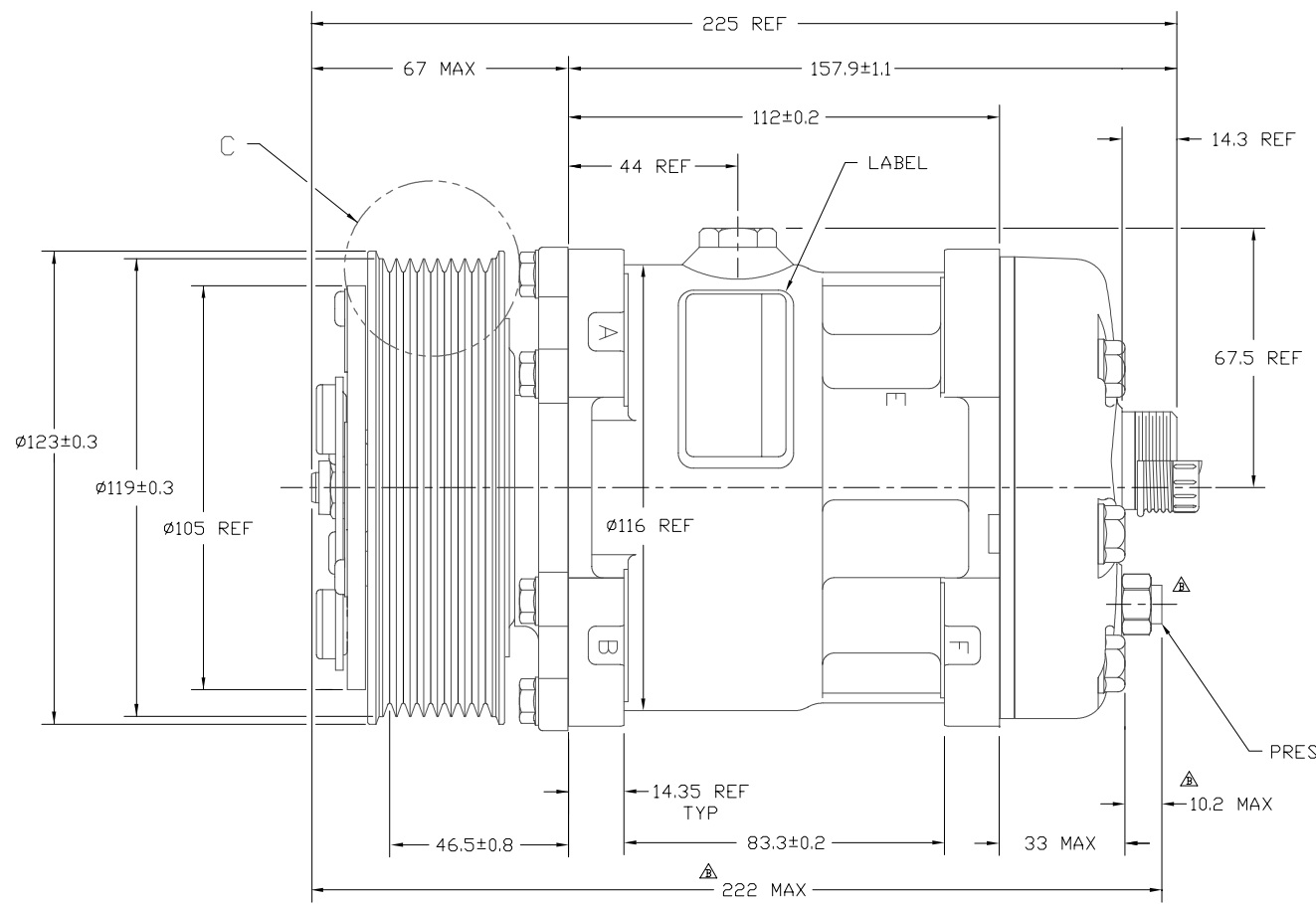
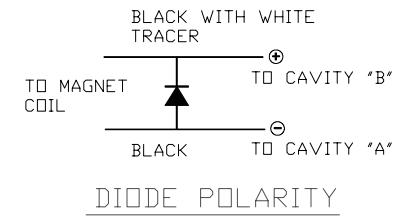


PDCN	REV.	APPV DATE	REVISIONS	DWN	DSGN	CHK	APPV
2006310	A	01/25/07	INITIAL ISSUE				
			10.2 MAX WAS 9.2 MAX; 222 MAX WAS 221 MAX				
			PRV CHANGE: 4307-6470 WAS 4367-6470	RSR	JW	DRL	RM



SCALE: 2:1
TYPICAL BOTH PORTS
(SECTION SHOWN WITH SEAL CAP REMOVED)



COMPRESSOR SPECIFICATIONS (REF)

DISPLACEMENT PER REVOLUTION	154.9 cc / rev. (9.5cu.in. / rev.)
MAXIMUM ALLOWABLE R.P.M.	8000 R.P.M.
MAXIMUM ALLOWABLE CONTINUOUS R.P.M.	6000 R.P.M.
REFRIGERANT	R134a
OIL (SP-15)	300 cc (8.1 fl.oz.)
WEIGHT	7.5 kg (16.6 lb.)

CLUTCH SPECIFICATIONS (REF)

RATED VOLTAGE	DC 12V
BREAKAWAY TORQUE	3.5 kgf-m min. @ 12V
MINIMUM ENGAGEMENT VOLTAGE	7.5V @ air gap 0.6mm
POWER CONSUMPTION	49 watts max.
BELT TYPE	PV8
MAXIMUM ALLOWABLE BELT TENSION	120 kgf
PULLEY DIAMETER	Ø119mm (4.7 in.)
CLUTCH TYPE	HEAVY DUTY

DO NOT SCALE

REV. LEVEL	RELEASED FOR: ENG'G DEVELOPMENT	<p>SANDEN INTERNATIONAL (U.S.A.), INC.</p>
DWN	Dennis Lee 4/6/04	
CHK	Mark Harrington	DRAWN SCALE REF 1:1 PLOTTED SCALE REF NONE METRIC
APPV. DATE	NB JC 4/12/04	<p>This drawing and the information contained hereon are CONFIDENTIAL and PROPRIETARY to Sanden International (U.S.A.), Inc., are received in CONFIDENCE and shall not be used, copied, or disclosed to others without the written permission of Sanden International (U.S.A.), Inc.</p>
REV. LEVEL	RELEASED FOR: DESIGN VALIDATION	
DWN	Mark Harrington	INTERPRETATION OF THIS DRAWING PER ASME Y14.5M-1994
APPV. DATE	NB JC 4 13 2004	THIRD ANGLE PROJECTION
REV. LEVEL	RELEASED FOR: PRODUCTION VAL'D.	MATERIAL: -
DWN	Mark Harrington	NAME
APPV. DATE	NB JC 4 13 2004	
REV. LEVEL	RELEASED FOR: PRODUCTION	COMPRESSOR
DWN	Mark Harrington	DWG. NO. 4477-6000
APPV. DATE	NB JC 4 13 2004	
		REV B