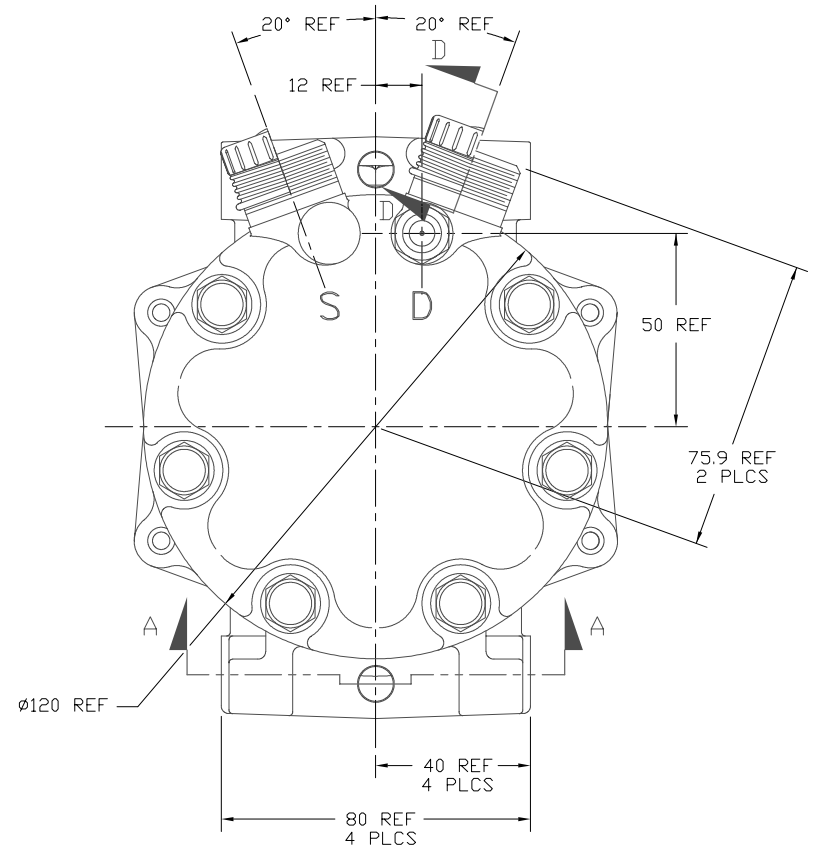
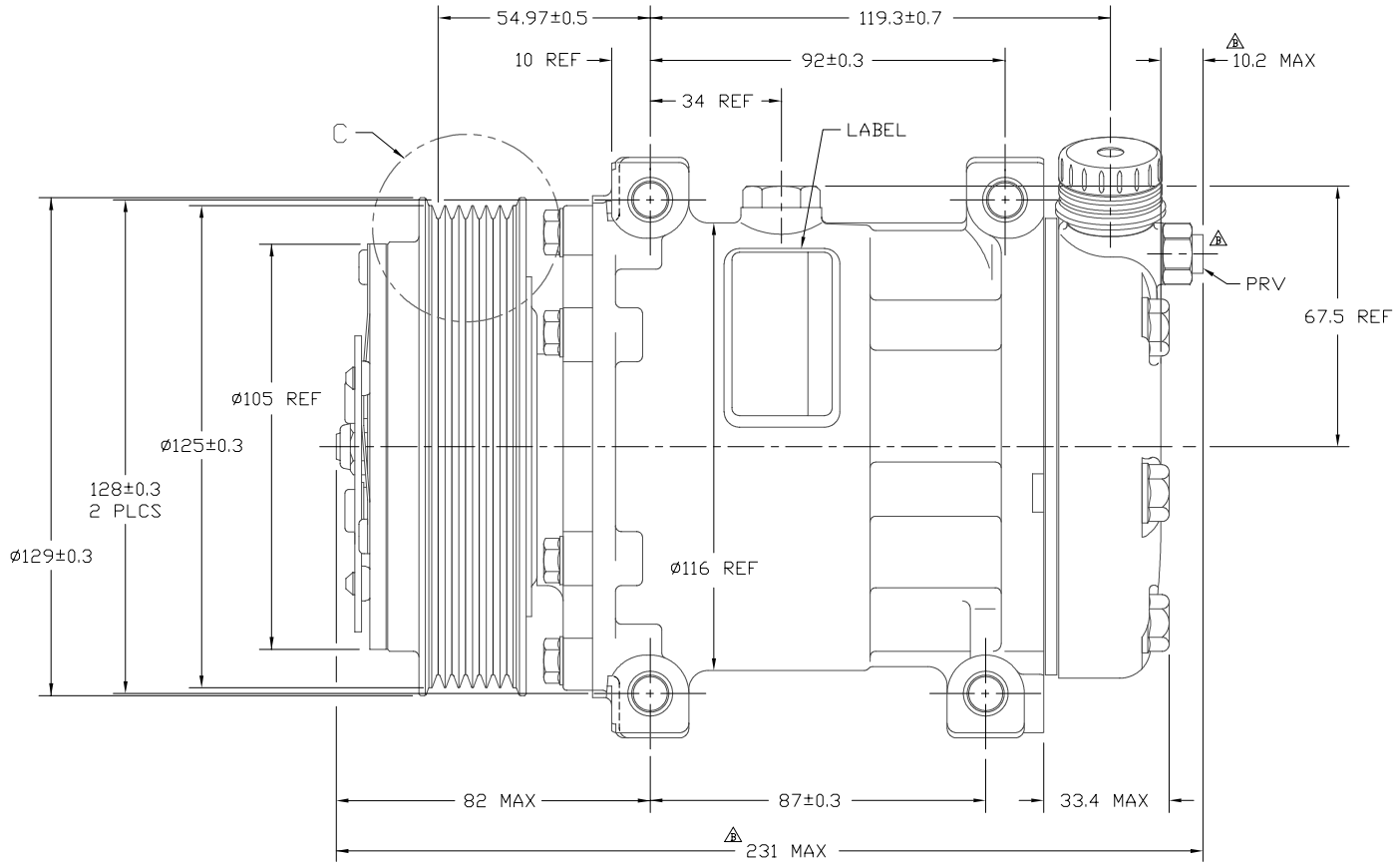
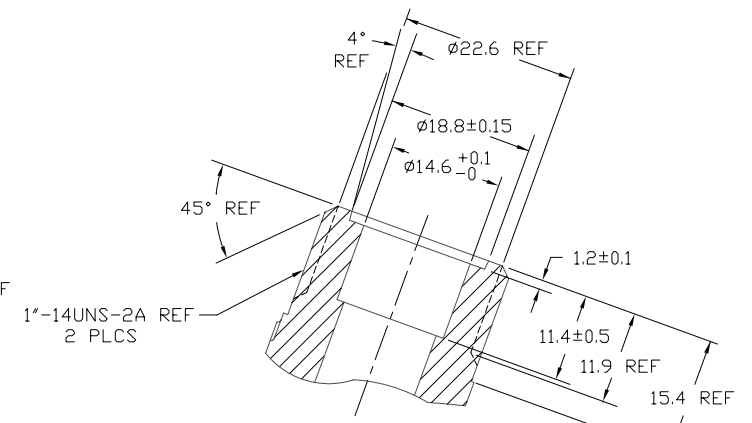
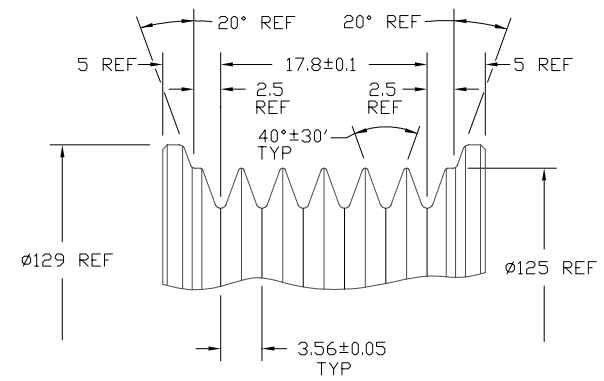
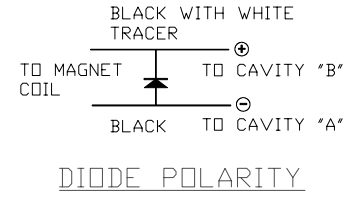
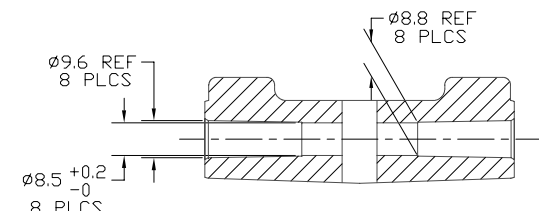
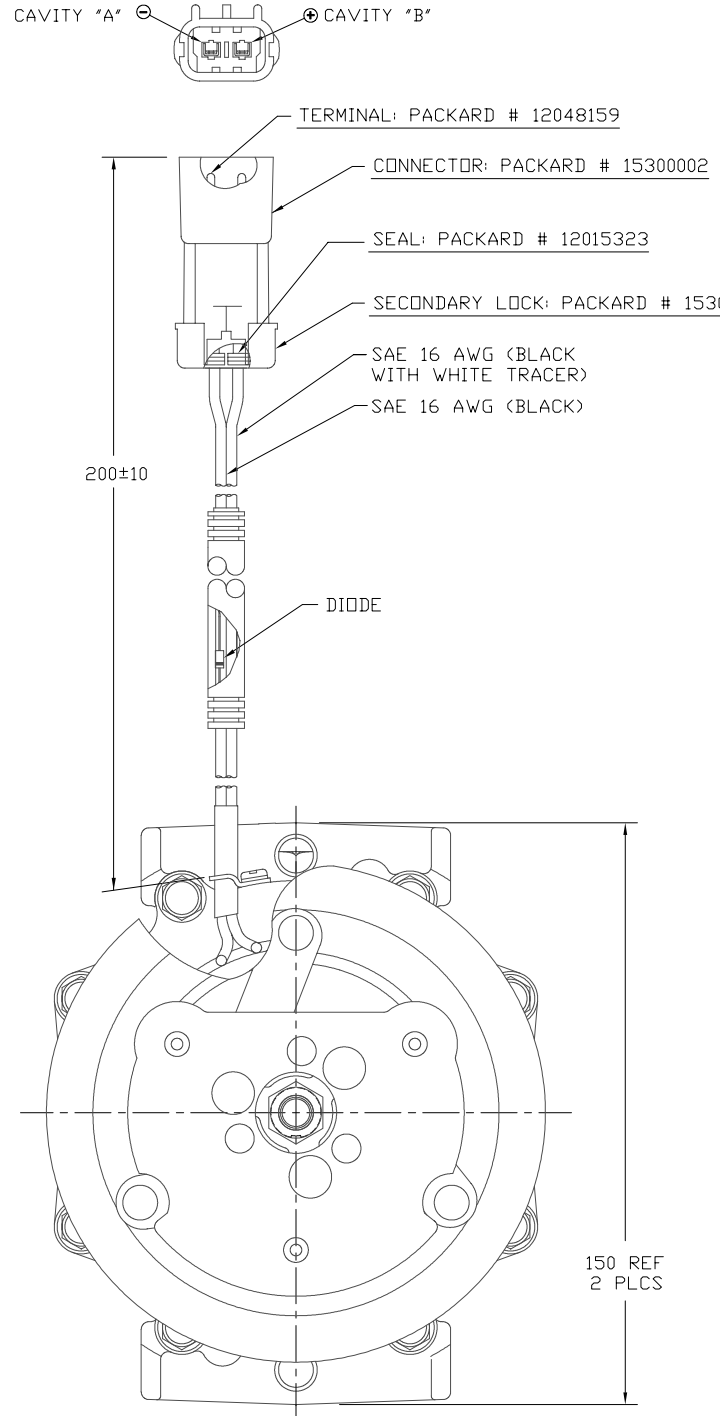


PDCN	REV.	APPV DATE	REVISIONS	DWN	DSGN	CHK	APPV
2006310	Δ	2006310	INITIAL ISSUE				
			PRV: 4307-6470 WAS4967-6470 231 MAX WAS 230 MAX; 10.2 MAX WAS 9.2 MAX	RSR	JW	DRL	TK



COMPRESSOR SPECIFICATIONS (REF)

DISPLACEMENT PER REVOLUTION	154.9 cc / rev. (9.5cu.in. / rev.)
MAXIMUM ALLOWABLE R.P.M.	8000 R.P.M.
MAXIMUM ALLOWABLE CONTINUOUS R.P.M.	6000 R.P.M.
REFRIGERANT	R134a
OIL (SP-15)	300 cc (10.1 fl.oz.)
WEIGHT	7.4 kgf (16.4 lb.)

CLUTCH SPECIFICATIONS (REF)

RATED VOLTAGE	DC 12V
BREAKAWAY TORQUE	3.5 kgf-m min. @ 12V
MINIMUM ENGAGEMENT VOLTAGE	7.5V @ AIR GAP 0.6mm
POWER CONSUMPTION	49 watts max.
BELT TYPE	PV6 TYPE
MAXIMUM ALLOWABLE BELT TENSION	90 kgf
PULLEY DIAMETER	Ø125 mm (4.9 in.)
CLUTCH TYPE	HEAVY DUTY

DO NOT SCALE

REV. LEVEL	RELEASED FOR: ENG'G DEVELOPMENT	<p>SANDEN INTERNATIONAL (U.S.A.), INC.</p>	<p>DRAWN SCALE REF 1:1</p> <p>PLOTTED SCALE REF NONE METRIC</p>
DWN	M. Harrington		
CHK	R. Rodriguez	<p>This drawing and the information contained hereon are CONFIDENTIAL and PROPRIETARY to Sanden International (U.S.A.), Inc., are received in CONFIDENCE and shall not be used, copied, or disclosed to others without the written permission of Sanden International (U.S.A.), Inc.</p>	<p>INTERPRETATION OF THIS DRAWING PER ASME Y14.5M-1994</p> <p>THIRD ANGLE PROJECTION</p> <p>SIZE D</p>
APPV. DATE	NB JC 04/12/04		
REV. LEVEL	RELEASED FOR: DESIGN VALIDATION	<p>MATERIAL: -</p>	<p>NAME: COMPRESSOR</p>
DWN	M. Harrington		
APPV. DATE	NB JC 04/13/04	<p>DWG. NO. 4475-6000</p>	<p>REV. B</p>
REV. LEVEL	RELEASED FOR: PRODUCTION		
DWN	M. Harrington		
APPV. DATE	NB JC 04/13/04		