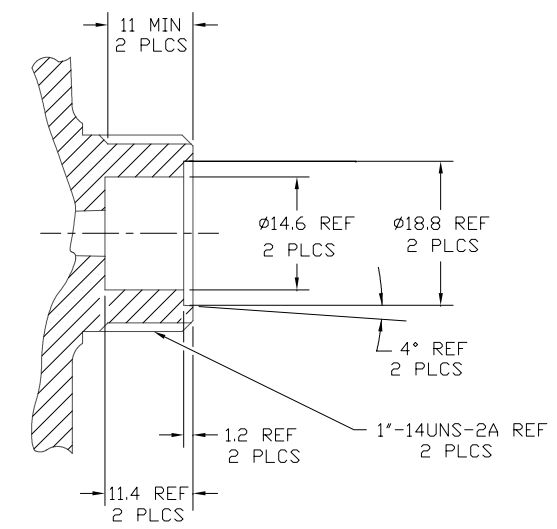
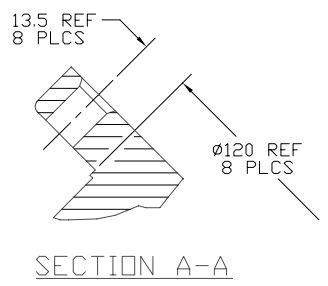
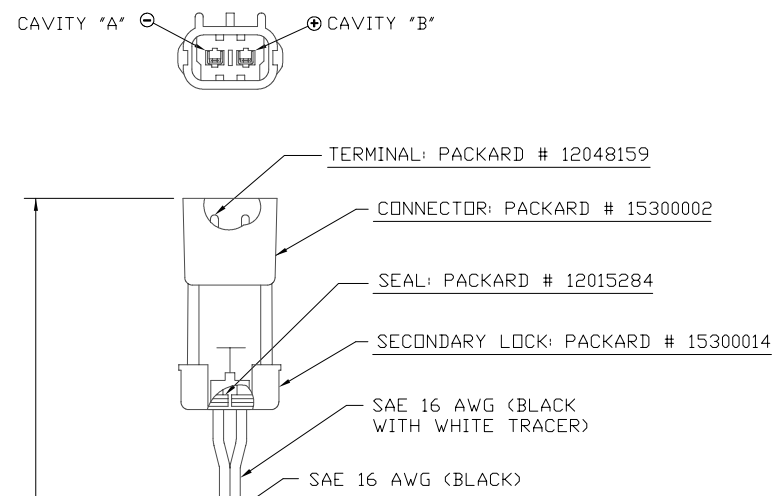
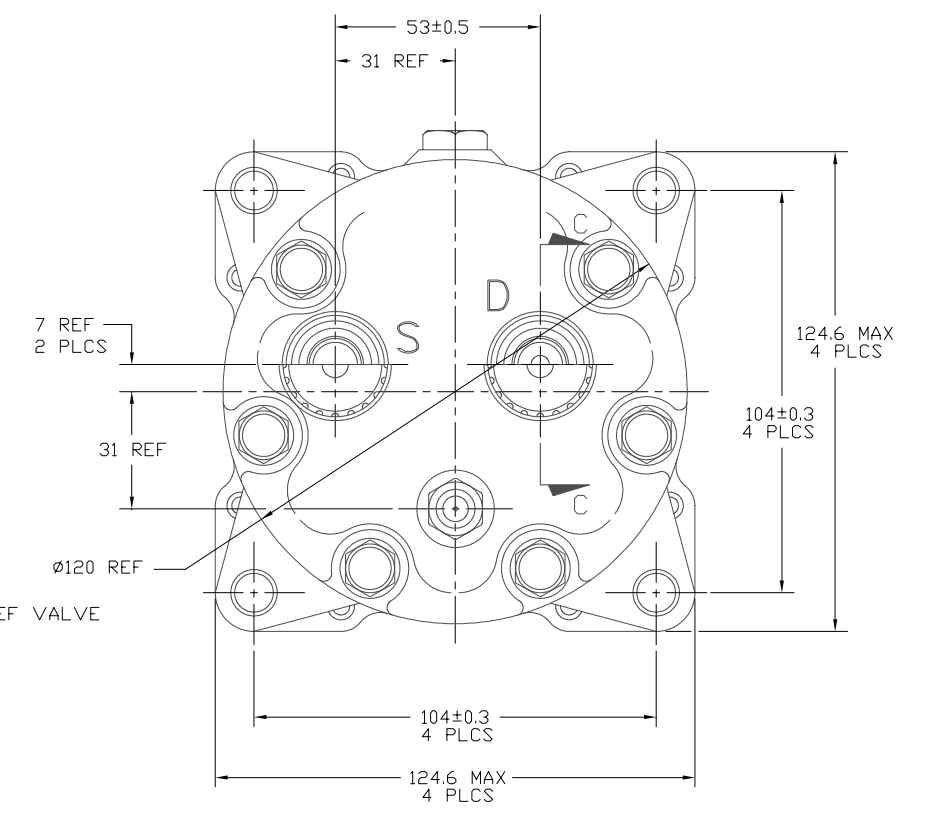
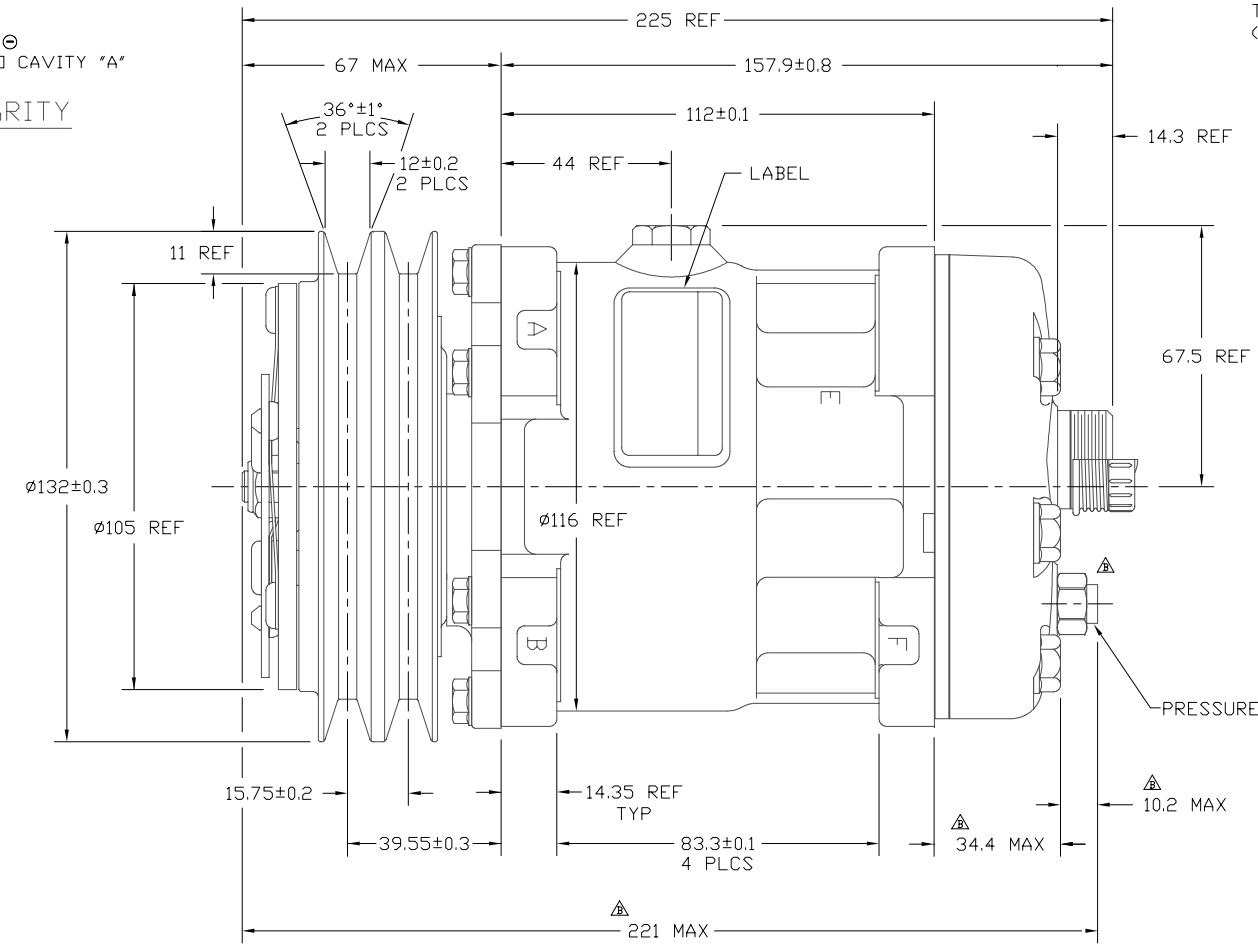
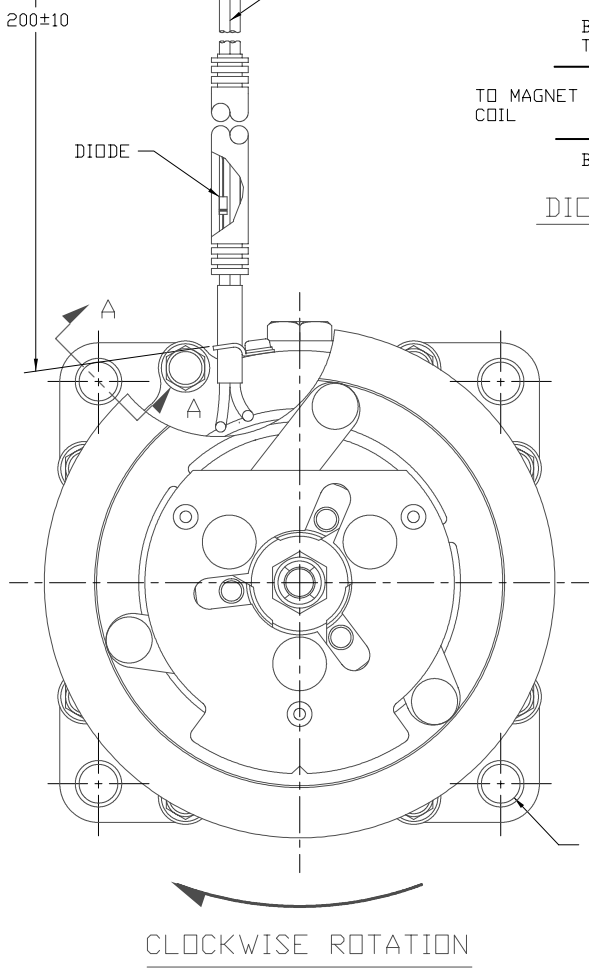
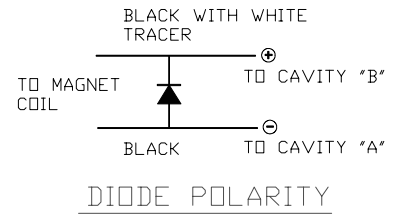


PDCN	REV.	APPV DATE	REVISIONS	DWN	DSGN	CHK	APPV
2006310	△	12/11/06	INITIAL ISSUE	RSR	JW	DRL	TK
			PRV: 4307-6470 WAS 4967-6470 10.2 MAX WAS 9.2 MAX; 34.4 MAX WAS 33.4 MAX; 221 MAX WAS 220 MAX				



SECTION C-C
SCALE: 2:1
TYPICAL BOTH PORTS
(SECTION SHOWN WITH
SEAL CAP REMOVED)



COMPRESSOR SPECIFICATIONS (REF)

DISPLACEMENT PER REVOLUTION	154.9 cc / rev. (9.5cu.in. / rev.)
MAXIMUM ALLOWABLE R.P.M.	8000 R.P.M.
MAXIMUM ALLOWABLE CONTINUOUS R.P.M.	6000 R.P.M.
REFRIGERANT	R134a
OIL (SP-15)	300 cc (8.1 fl.oz.)
WEIGHT	7.5 kg (16.6 lb.)

CLUTCH SPECIFICATIONS (REF)

RATED VOLTAGE	DC 12V
BREAKAWAY TORQUE	3.5 kgf-m min. @ 12V
MINIMUM ENGAGEMENT VOLTAGE	7.5V @ air gap 0.6mm
POWER CONSUMPTION	49 watts max.
BELT TYPE	A TYPE
MAXIMUM ALLOWABLE BELT TENSION	60 kgf per belt
PULLEY DIAMETER	Ø132 mm (5.2 in.)
CLUTCH TYPE	HEAVY DUTY

REV. LEVEL	RELEASED FOR: ENG'G DEVELOPMENT	<p>SANDEN INTERNATIONAL (U.S.A.), INC.</p>	<p>SCALE REF 1:1 PLOTTED SCALE REF NONE METRIC</p>
DWN	M. Harrington		
CHK	R. Rodriguez	<p>This drawing and the information contained hereon are CONFIDENTIAL and PROPRIETARY to Sanden International (U.S.A.), Inc., and shall not be used, copied, or disclosed to others without the written permission of Sanden International (U.S.A.), Inc.</p>	<p>INTERPRETATION OF THIS DRAWING PER ASME Y14.5M-1994</p>
APPV. DATE	NB JC 04/12/04		
REV. LEVEL	RELEASED FOR: DESIGN VALIDATION	<p>MATERIAL: -</p>	<p>THIRD ANGLE PROJECTION</p>
DWN	M. Harrington		
APPV. DATE	NB JC 04/13/04	<p>NAME: COMPRESSOR</p>	<p>SIZE: D</p>
REV. LEVEL	RELEASED FOR: PRODUCTION VAL'D.		
DWN	M. Harrington	<p>DWG. NO. 4471-6000</p>	<p>REV. B</p>
APPV. DATE	NB JC 04/13/04		
REV. LEVEL	RELEASED FOR: PRODUCTION	<p>DO NOT SCALE</p>	
DWN	M. Harrington		
APPV. DATE	NB JC 04/13/04		