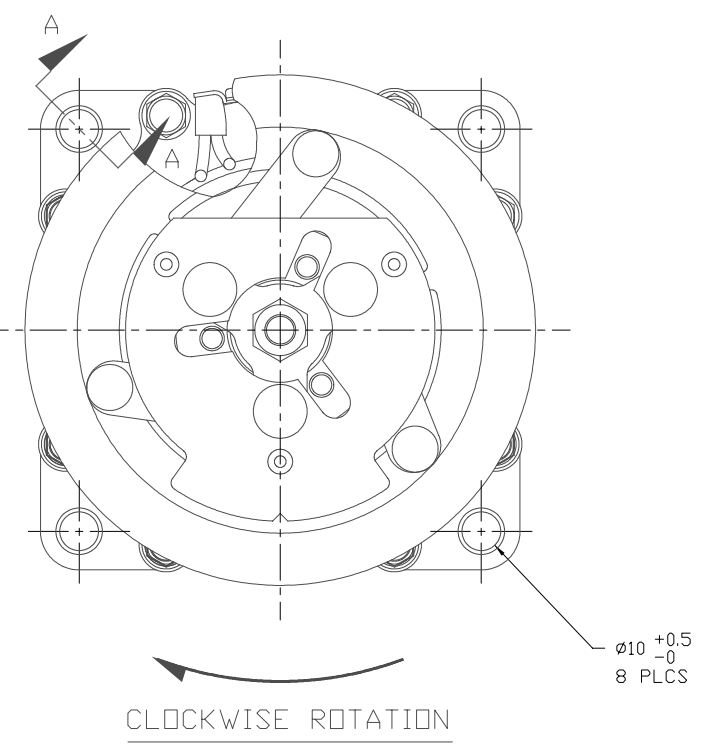
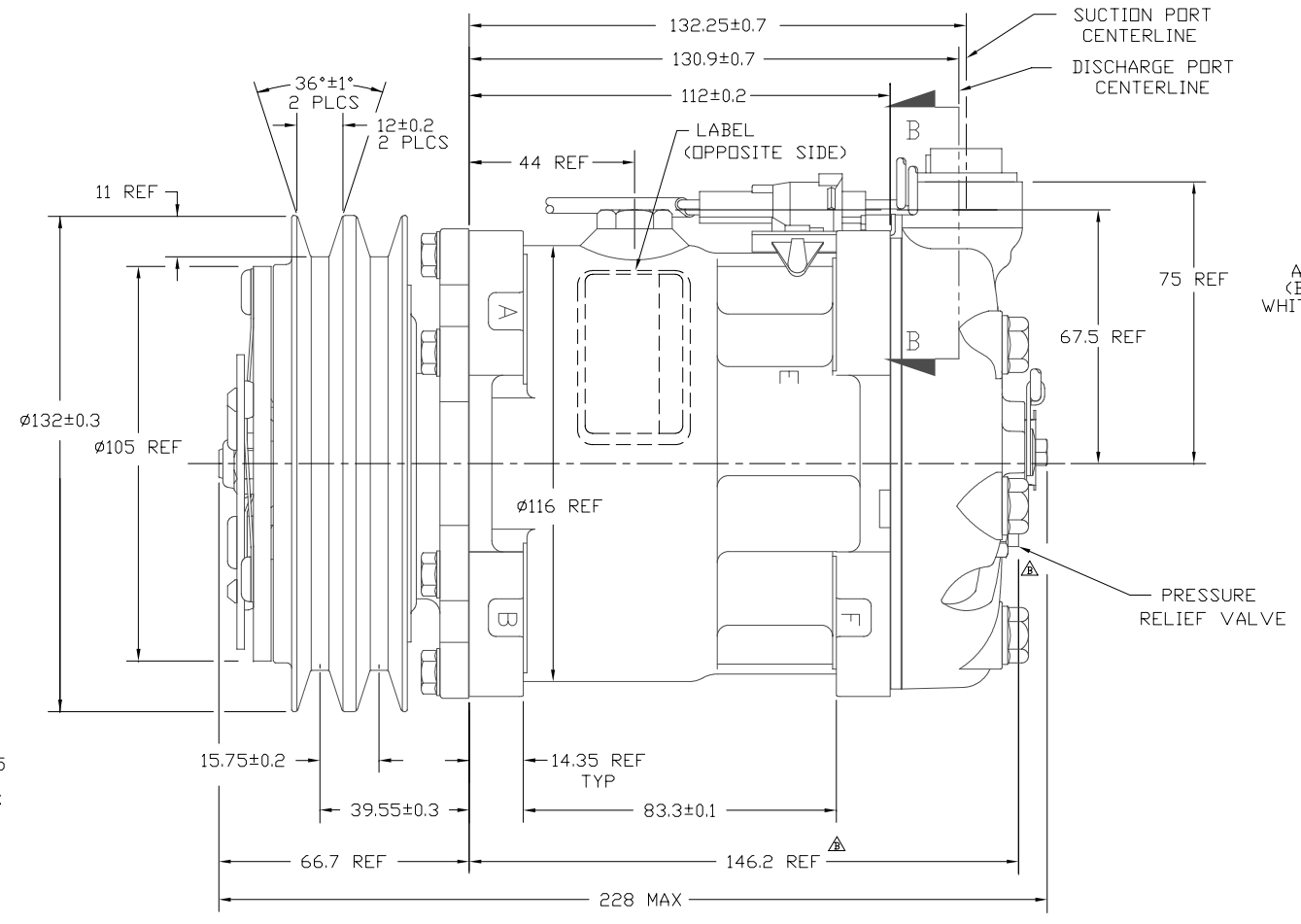
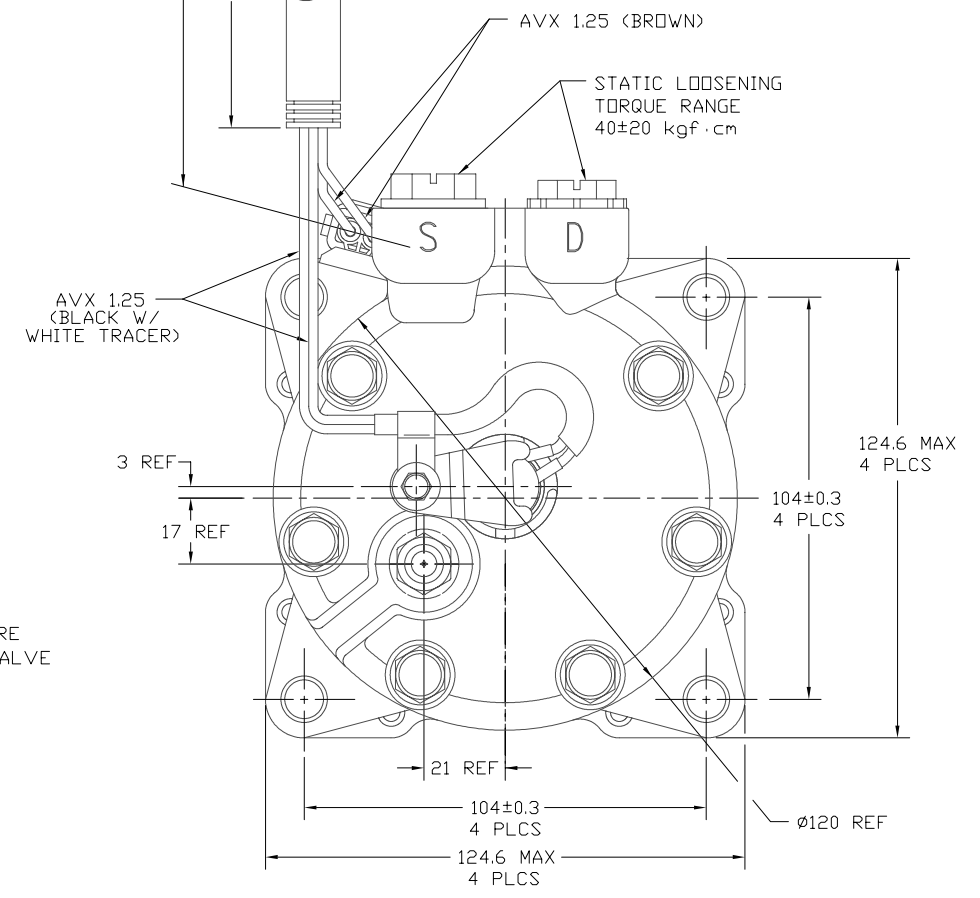
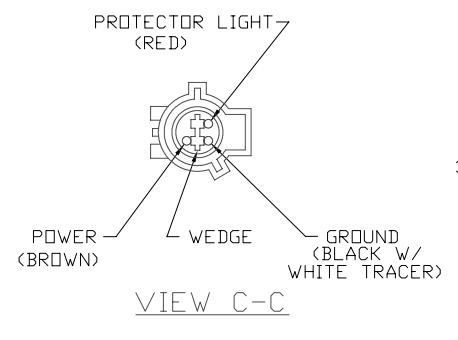
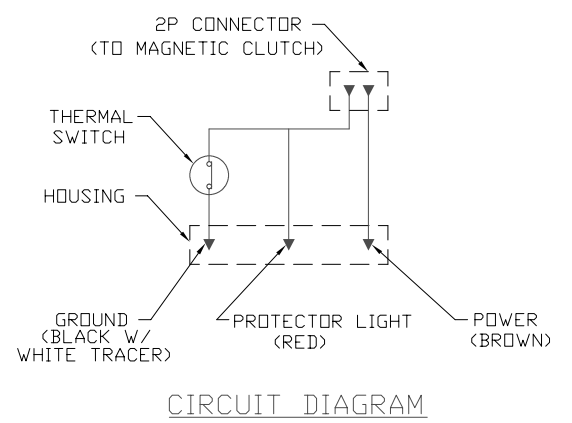
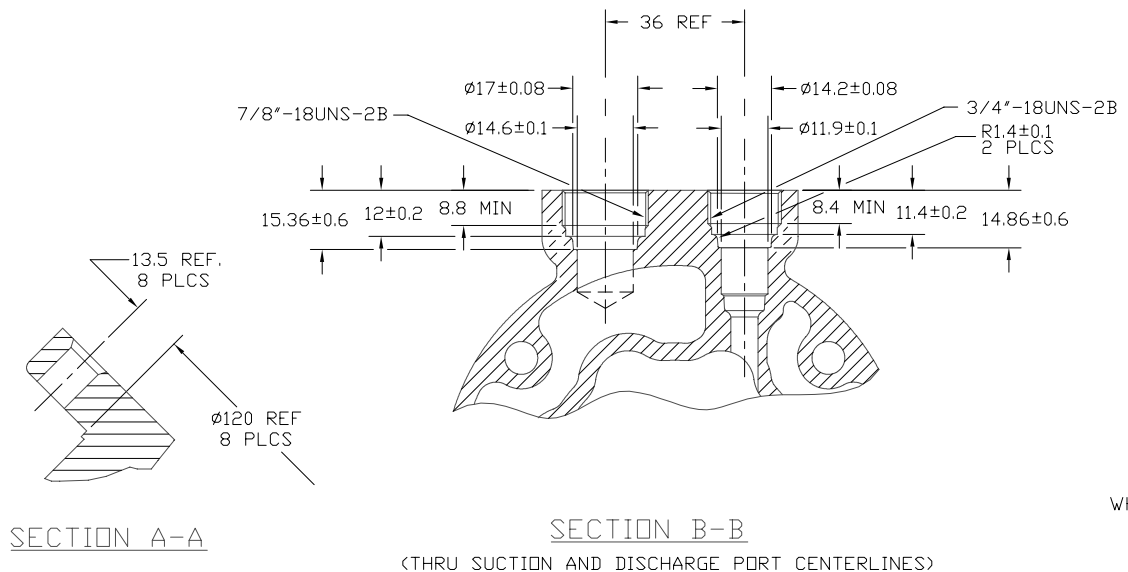


PDCN	REV.	APPV	DATE	REVISIONS	DWN	DSGN	CHK	APPV
2006310	A		01/25/07	INITIAL ISSUE PRV CHANGE 4307-6470 WAS 4967-6470 146.2 WAS 145.2	RSR	JW	DRL	RM



COMPRESSOR SPECIFICATIONS (REF)

DISPLACEMENT PER REVOLUTION	154.9 cc / rev. (9.5cu.in. / rev.)
MAXIMUM ALLOWABLE R.P.M.	6000 R.P.M.
MAXIMUM ALLOWABLE CONTINUOUS R.P.M.	4000 R.P.M.
REFRIGERANT	R134a
OIL (SP-15)	300 cc (10.1 fl.oz.)

CLUTCH SPECIFICATIONS (REF)

RATED VOLTAGE	DC 12V
BREAKAWAY TORQUE	3.5 kgf·m MIN. @ 12V
MINIMUM ENGAGEMENT VOLTAGE	7.5V @ AIR GAP 0.6mm
POWER CONSUMPTION	49 watts max.
BELT TYPE	A TYPE
MAXIMUM ALLOWABLE BELT TENSION	60 kgf PER BELT
PULLEY DIAMETER	Ø132 mm (5.2 in.)
CLUTCH TYPE	HEAVY DUTY

SANDEN
SANDEN INTERNATIONAL (U.S.A.), INC.
DRAWN SCALE REF 1:1 PLOTTED SCALE REF NONE METRIC

REV. LEVEL A
RELEASED FOR: DENGG DEVELOPMENT
DSGN KS HIF
APPV NB JC
DATE 4/12/04
Dennis Lee 4/6/04
Dennis Lee 4/7/04

REV. LEVEL A
RELEASED FOR: DESIGN VALIDATION
DSGN Mark Harrington
APPV NB JC
DATE 4 13 2004

REV. LEVEL A
RELEASED FOR: PRODUCTION VAL'D
DSGN Mark Harrington
APPV NB JC
DATE 4 13 2004

REV. LEVEL A
RELEASED FOR: PRODUCTION
DSGN Mark Harrington
APPV NB JC
DATE 4 13 2004

INTERPRETATION OF THIS DRAWING PER ASME Y14.5M-1994
THIRD ANGLE PROJECTION
MATERIAL: -
NAME: COMPRESSOR
DWG. NO. 4469-6000
REV. B

DO NOT SCALE