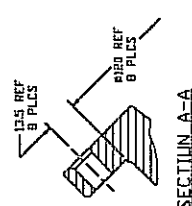
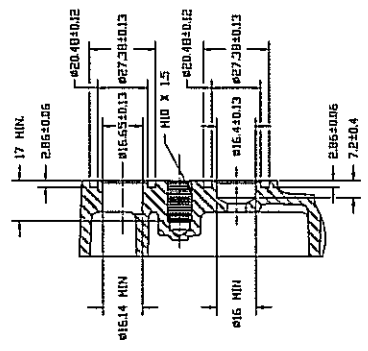
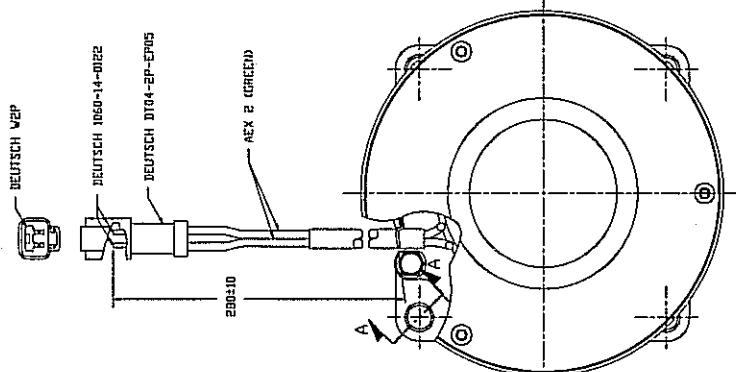
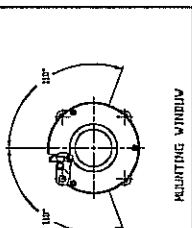
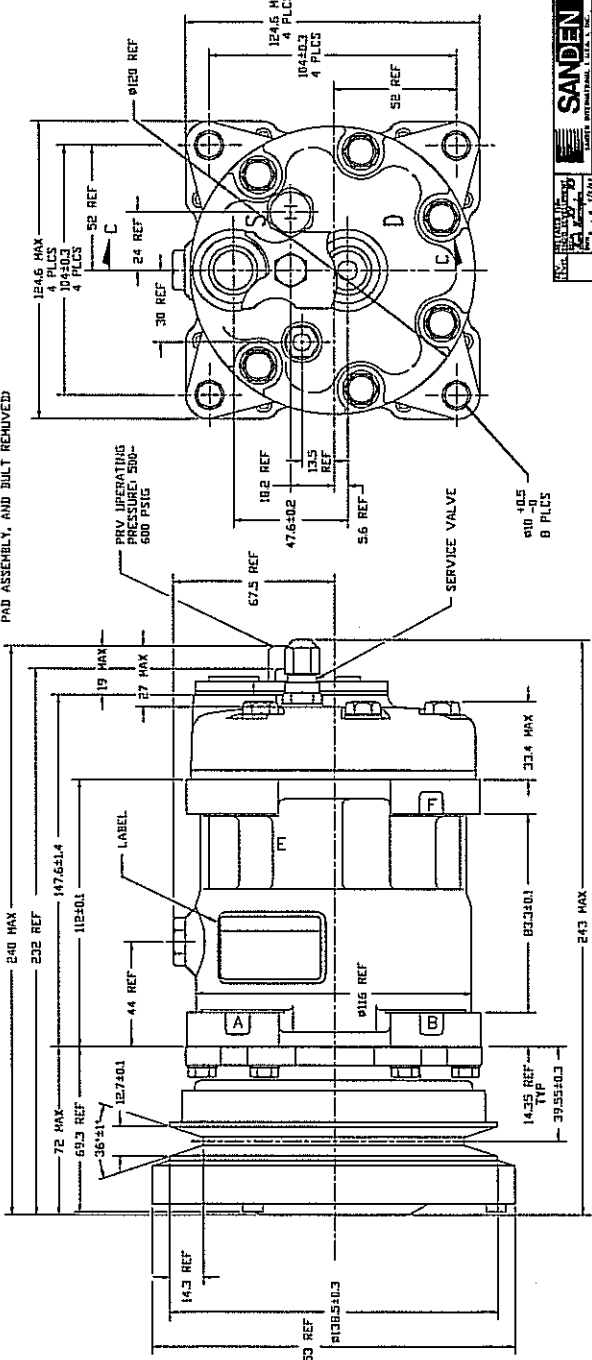


REV. NO.	DATE	DESCRIPTION
A		METAL RELEASE



SECTION C-C
SECTION WITH U-RINGS, SHIPPING PAD ASSEMBLY, AND BOLT REMOVED



CLUTCH SPECIFICATIONS

RATED VOLTAGE	DE 24V
BREAKAWAY TORQUE	3.5 N·m (2.5 LBS. FT.)
MINIMUM ENGAGEMENT VOLTAGE	18V @ 50% DUTY
POWER CONSUMPTION	40 WATT
MAXIMUM ALLOWABLE BELT TENSION	60 LBS
PULLEY DIAMETER	Ø105 (4.13 IN.)
CLUTCH TYPE	SEALED HEAVY DUTY

COMPRESSOR SPECIFICATIONS

DISPLACEMENT PER REVOLUTION	154.9 CC / REV. (9.5 CU. IN.)
MAXIMUM ALLOWABLE RPM	4000 RPM
MAXIMUM ALLOWABLE CONTINUOUS RPM	4000 RPM
REFRIGERANT	R134a
OIL C-3P-19	300 CC (10.1 FL. OZ.)
WEIGHT	7.4 LBS (3.3 KG)

SANDEN
SANDEN INTERNATIONAL, INC. U.S.A.
2227 17th St. Torrance, CA 90501
Tel: (310) 571-1111
Fax: (310) 571-1112
E-Mail: sales@sanden.com

THIS DRAWING AND THE INFORMATION CONTAINED HEREIN ARE THE PROPERTY OF SANDEN INTERNATIONAL, INC. (SANDEN). NO PART OF THIS DRAWING IS TO BE REPRODUCED OR TRANSMITTED IN ANY FORM OR BY ANY MEANS, ELECTRONIC OR MECHANICAL, INCLUDING PHOTOCOPYING, RECORDING, OR BY ANY INFORMATION STORAGE AND RETRIEVAL SYSTEM, WITHOUT THE WRITTEN PERMISSION OF SANDEN INTERNATIONAL, INC.

REV. NO.	DATE	DESCRIPTION
A		METAL RELEASE

CLIMCOMPRESSOR

TIJ
NUT
SCALE

REV. NO. 4468-6000
REV. DATE 13 JUN 91