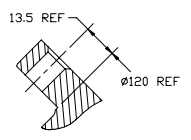
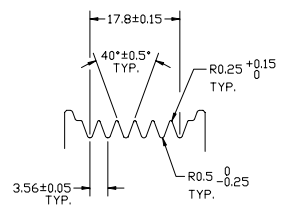


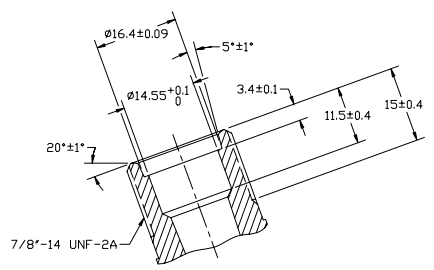
PCDN	REV.	APPR.	DATE	REVISIONS	DWN	ESGN	CHK	APPV
				INITIAL ISSUE				
2003342				CHANGED LEAD WIRE ON COMPRESSOR ADDED 7.5 AIR GAP 0.6mm REF REV W/ WAS 90 DEG				
2003366			01/09/04	LABEL TO INCLUDE P/N, SERIAL NUMBER, AND SANDEN MODEL NUMBER				
2004636			1/22/04	REVISED DWT				
				46.55±0.5 WAS 46.95±0.3				



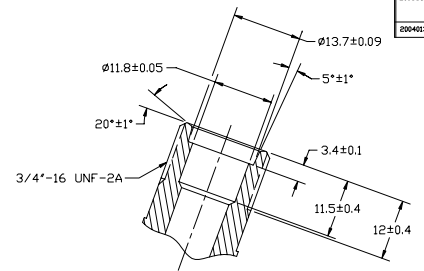
SECTION A-A



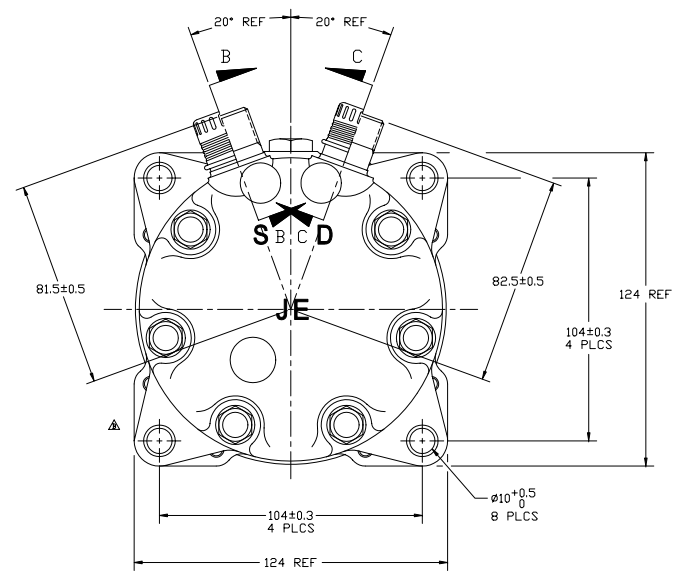
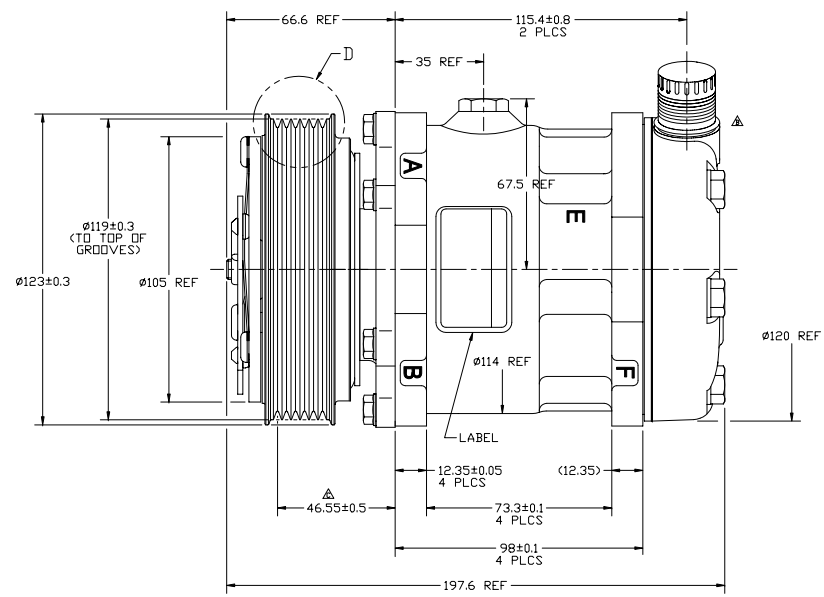
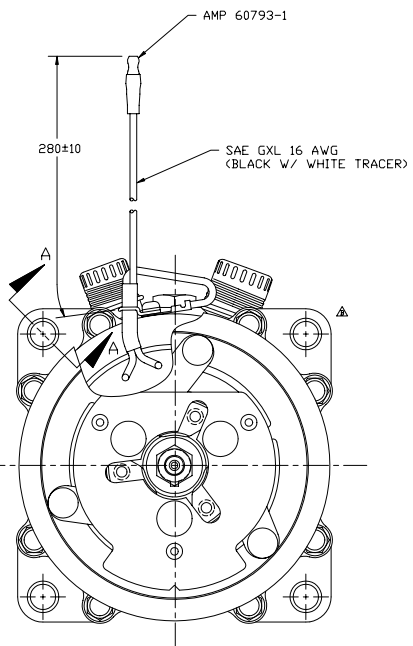
DETAIL D  
SCALE - 2:1



SECTION B-B  
SCALE - 2:1



SECTION C-C  
SCALE - 2:1



COMPRESSOR SPECIFICATIONS

DISPLACEMENT PER REVOLUTION	129.2 cc / rev. ( 7.9 cu.in. / rev. )
MAXIMUM ALLOWABLE R.P.M.	7000 r.p.m.
MAXIMUM ALLOWABLE CONTINUOUS R.P.M.	6000 r.p.m.
REFRIGERANT	R134a
DIL ( SP-20 )	135 cc ( 4.6 fl. oz. )
WEIGHT	TBD

CLUTCH SPECIFICATIONS

RATED VOLTAGE	DC 12V
BREAKAWAY TORQUE	3.2 kgf-m ( 23.1 ft.-lb. ) MIN.
MINIMUM ENGAGEMENT VOLTAGE	7.5V @ AIR GAP 0.6mm REF
POWER CONSUMPTION	49 watts ( CU )
BELT TYPE	PV6
MAXIMUM ALLOWABLE BELT TENSION	120 kgf
PULLEY DIAMETER	(Ø119mm)
CLUTCH TYPE	STANDARD

REV. LEVEL	RELEASED FOR PRODUCTION	DATE	01/27/01	BY	JW	APPV	JW
REV. LEVEL	RELEASED FOR DESIGN VALIDATION	DATE	01/27/01	BY	JW	APPV	JW
REV. LEVEL	RELEASED FOR PRODUCTION	DATE	01/27/01	BY	JW	APPV	JW
REV. LEVEL	RELEASED FOR PRODUCTION	DATE	01/27/01	BY	JW	APPV	JW
REV. LEVEL	RELEASED FOR PRODUCTION	DATE	01/27/01	BY	JW	APPV	JW

**SANDEN**  
SANDEN INTERNATIONAL (U.S.A.), INC.

DRW: *John Jones*  
SCALE REF: 1:1  
PLTFILE: *11*  
SCALE REF: 1:1  
METRIC

This drawing and the information contained herein are CONFIDENTIAL and PROPRIETARY to Sanden International (U.S.A.), Inc. and shall not be used, copied, or disclosed to others without the written permission of Sanden International (U.S.A.), Inc.

INTERPRETATION OF THIS DRAWING PER  
ASME Y14.5M-1994

THIRD ANGLE PROJECTION

MATERIAL: -

NAME: A/C COMPRESSOR

DWG. NO. 4455-6000

REV. C

DO NOT SCALE