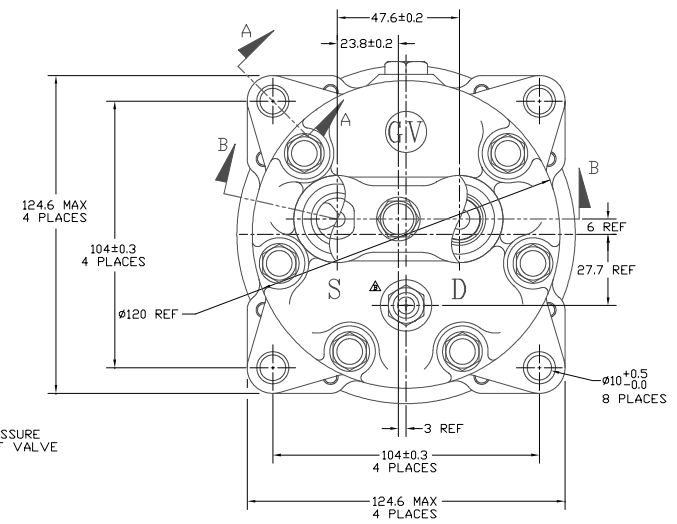
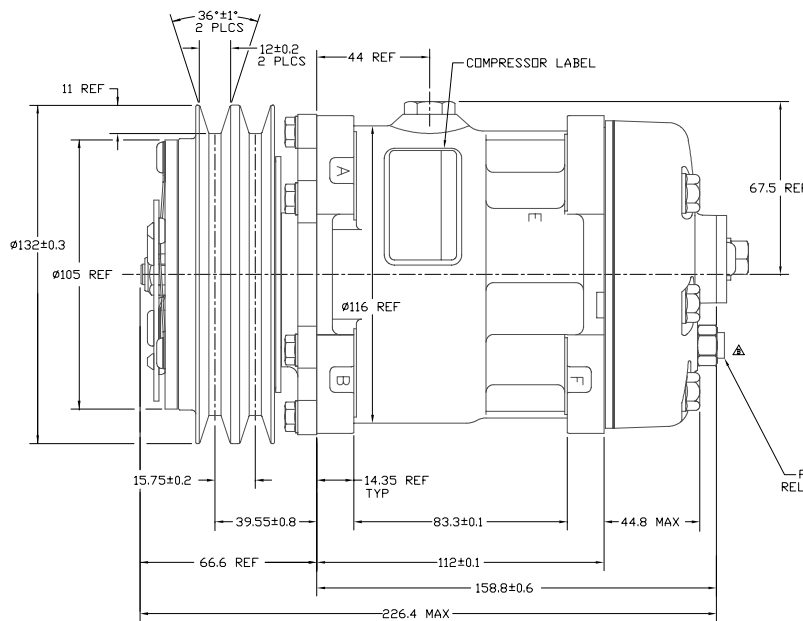
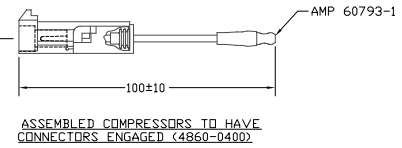
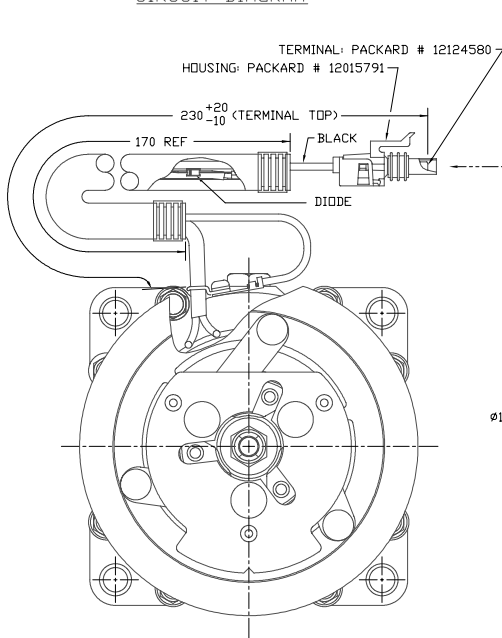
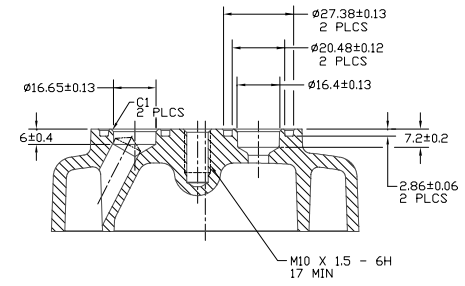
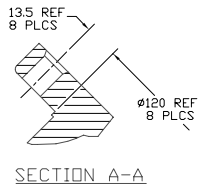
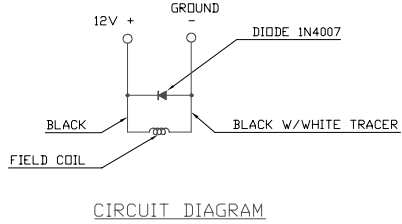


16 | 15 | 14 | 13 | 12 | 11 | 10 | 9 | 8 | 7 | 6 | 5 | 4 | 3 | 2 | 1

PCDN	REV.	APPV	DATE	REVISIONS	DWN	DSGN	CHK	APPV
				INITIAL ISSUE				
2006310			12/11/06	REV 4307-6470 VAS 4967-6470	JS	JW	DRL	TK



COMPRESSOR SPECIFICATIONS (REF)

DISPLACEMENT PER REVOLUTION	154.9 cc / rev. (9.5 cu. in. / rev.)
MAXIMUM ALLOWABLE R.P.M.	7000 R.P.M.
MAXIMUM ALLOWABLE CONTINUOUS R.P.M.	6000 R.P.M.
REFRIGERANT	R134a
OIL (SP-15)	200 cc (6.76 floz.)
WEIGHT	7.6 Kg (16.8 LBS)

CLUTCH SPECIFICATIONS (REF)

RATED VOLTAGE	DC 12V
BREAKAWAY TORQUE	3.5 kgf-m min. @ 12V
MINIMUM ENGAGEMENT VOLTAGE	7.5V @ AIR GAP 0.6mm
POWER CONSUMPTION	49 watts max.
BELT TYPE	A TYPE
MAXIMUM ALLOWABLE BELT TENSION	60 kgf per belt
PULLEY DIAMETER	Ø132 mm (5.2 in.)
CLUTCH TYPE	HEAVY DUTY

NOTE:
1. N₂ HOLDING CHARGE DELETED.

DO NOT SCALE

RELEASED FOR PRODUCTION DRAWN: N. Harrington CHECKED: N. Burns DATE: 8/13/02 REV. LEVEL: DESIGN VALIDATION DATE: 8/16/02 REV. LEVEL: PRODUCTION VAL'D DATE: 8/16/02 REV. LEVEL: PRODUCTION DATE: 12/16/03	SANDEN SANDEN INTERNATIONAL, U.S.A., INC. SCALE REF: 1:1 ISCALE REF: 1:1 METRIC This drawing and the information contained herein are CONFIDENTIAL and PROPRIETARY to Sanden International (U.S.A.), Inc., and are loaned to CONFIDEE and shall not be used, copied, or disclosed to others without the written permission of Sanden International (U.S.A.), Inc. INTERPRETATION OF THIS DRAWING PER ASME Y14.5M-1994 THIRD ANGLE PROJECTION MATERIAL: NAME: COMPRESSOR DWG. NO: 4434-6000 REV: B
--	--

16 | 15 | 14 | 13 | 12 | 11 | 10 | 9 | 8 | 7 | 6 | 5 | 4 | 3 | 2 | 1