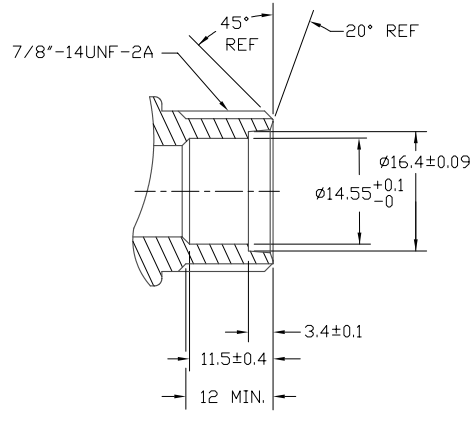
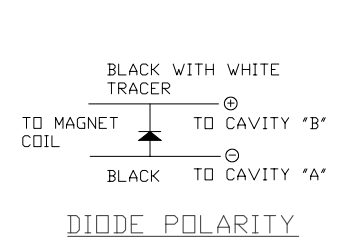
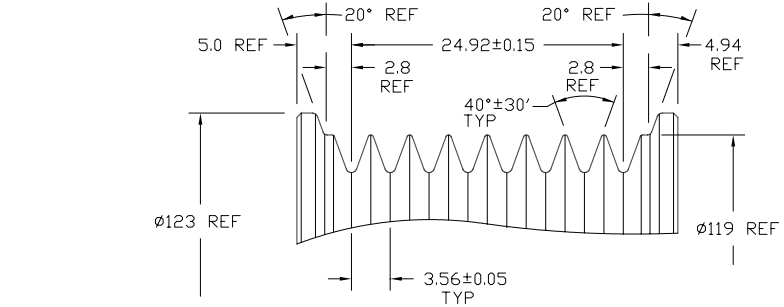
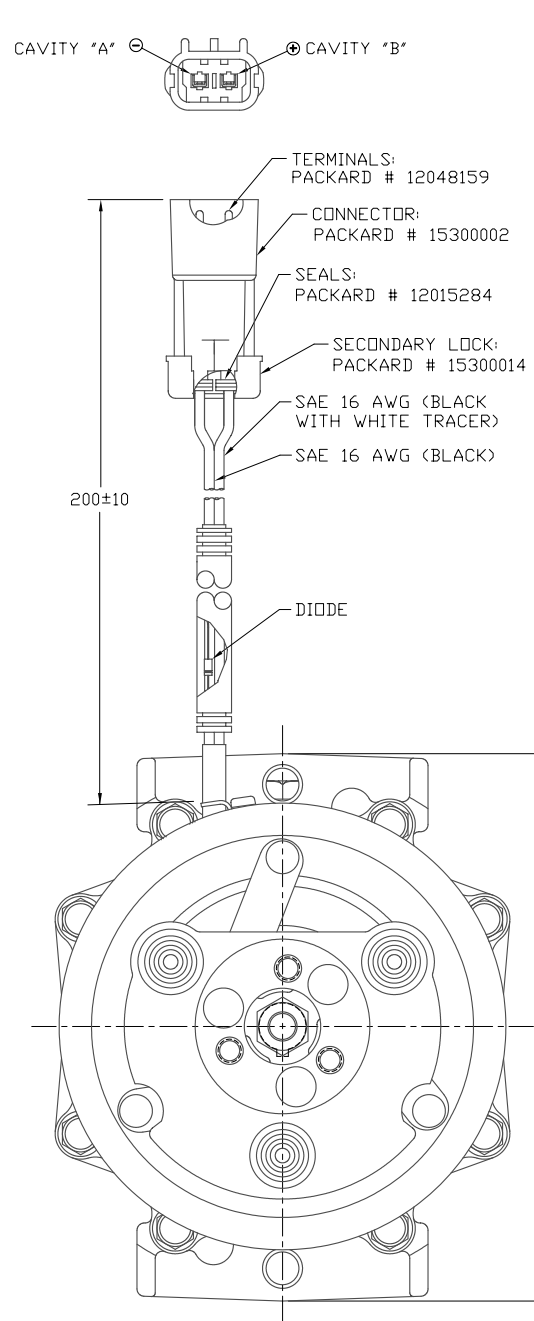
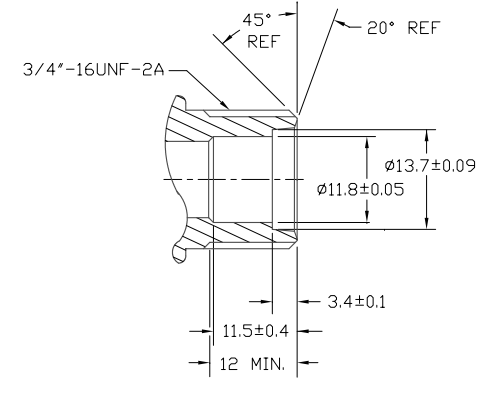


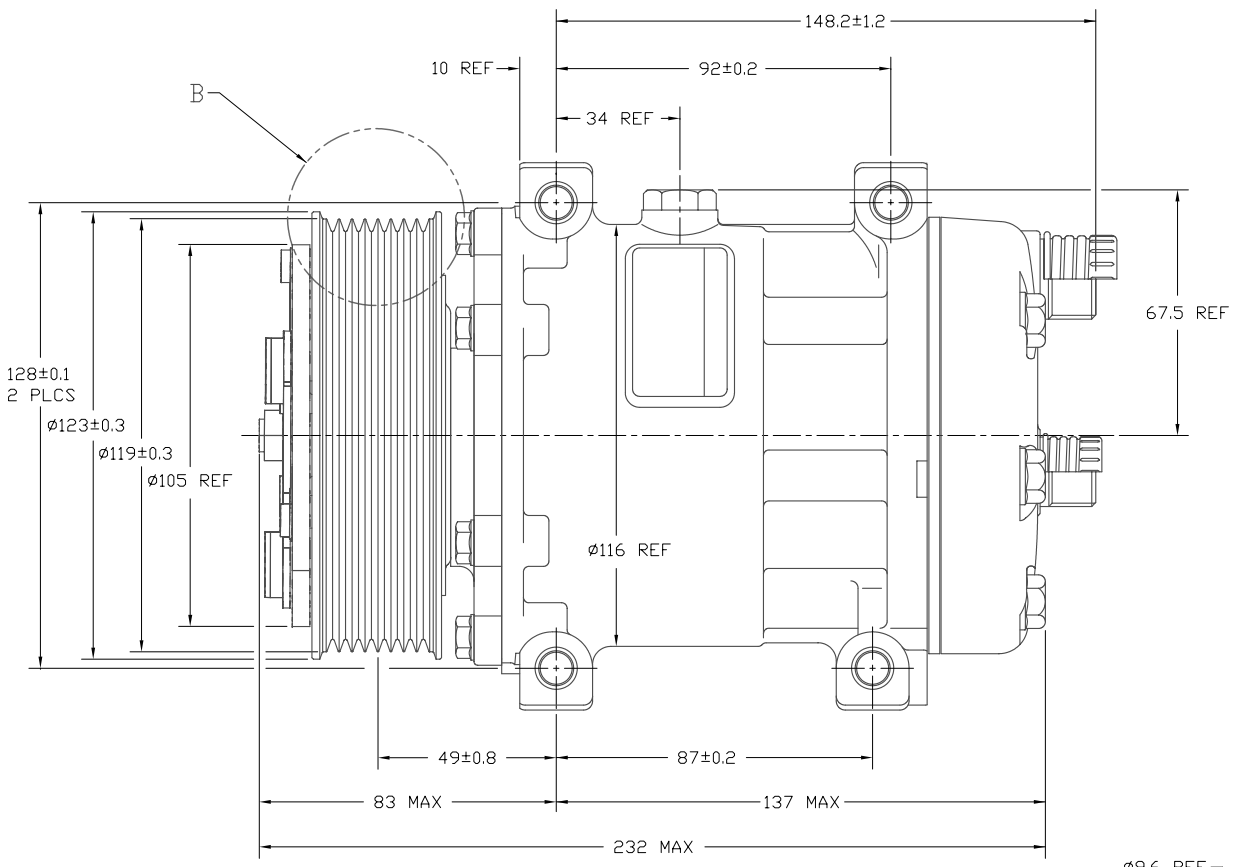
PDCN	REV.	APPV	DATE	REVISIONS	DWN	DSGN	CHK	APPV
				INITIAL RELEASE				



SECTION C-C  
SCALE: 2:1  
(SECTION SHOWN WITH SEAL CAP REMOVED)

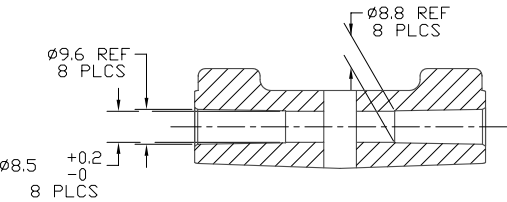
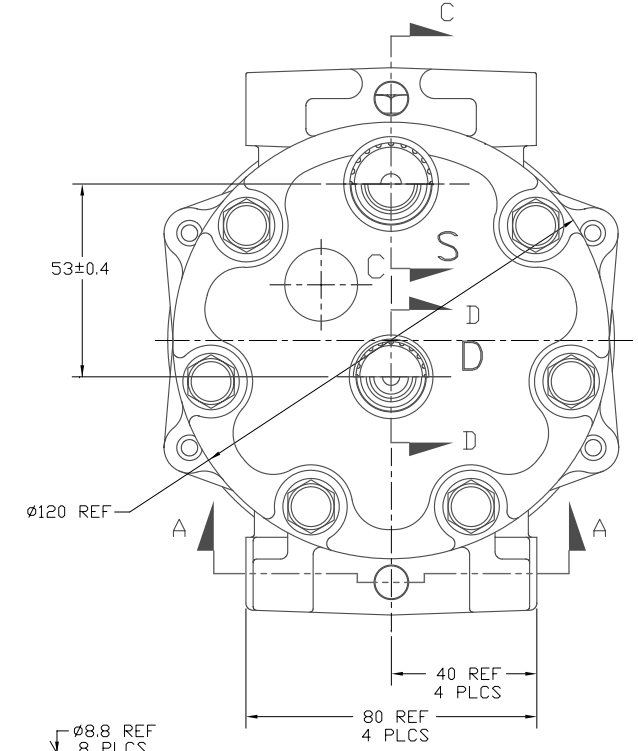


SECTION D-D  
SCALE: 2:1  
(SECTION SHOWN WITH SEAL CAP REMOVED)



CLUTCH SPECIFICATIONS (REF.)

RATED VOLTAGE	DC 12V
BREAKAWAY TORQUE	3.5 kgf-m min. @ 12V
MINIMUM ENGAGEMENT VOLTAGE	7.5V @ AIR GAP 0.6mm
POWER CONSUMPTION	49 watts max.
BELT TYPE	PV8 TYPE
MAXIMUM ALLOWABLE BELT TENSION	120 kgf
PULLEY DIAMETER	Ø119mm (4.68 in.)
CLUTCH TYPE	STANDARD



SECTION A-A

COMPRESSOR SPECIFICATIONS (REF.)

DISPLACEMENT PER REVOLUTION	154.9 cc / rev. ( 9.5cu.in. / rev. )
MAXIMUM ALLOWABLE R.P.M.	8000 R.P.M.
MAXIMUM ALLOWABLE CONTINUOUS R.P.M.	6000 R.P.M.
REFRIGERANT	R134a
OIL ( SP-15 )	300 cc ( 10.1 fl.oz. )
WEIGHT	7.4 kg ( 16.4 lb. )

DO NOT SCALE

REV. LEVEL	RELEASED FOR ENGINE DEVELOPMENT	<p>SANDEN INTERNATIONAL (U.S.A.), INC.</p>	<p>PLOTTED SCALE REF 1:1</p> <p>METRIC</p>
DSGN	J Sokolowski		
CHK	7/8/06	<p>INTERPRETATION OF THIS DRAWING PER ASME Y14.5M-1994</p>	<p>THIRD ANGLE PROJECTION</p>
APPV	7/8/06		
REV. LEVEL	RELEASED FOR DESIGN VALIDATION	<p>MATERIAL: -</p>	<p>NAME</p>
DSGN	7/11/06		
CHK	7/11/06	<p>COMPRESSOR</p>	<p>DWG. NO. 4404-6000</p>
APPV	7/11/06		
REV. LEVEL	RELEASED FOR PRODUCTION	<p>REV. A</p>	<p>REV. A</p>
DSGN	7/11/06		