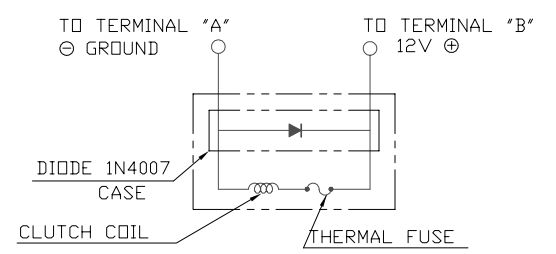
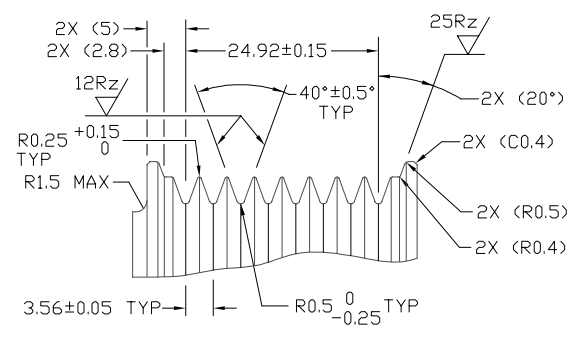


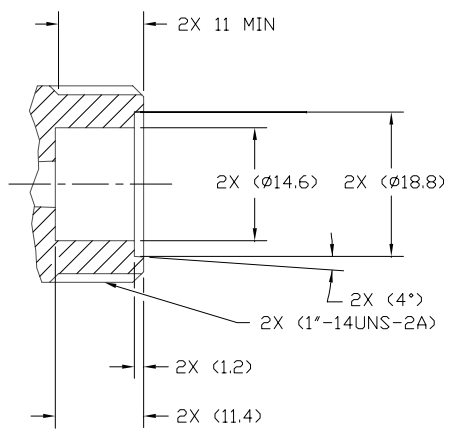
CAVITY "A"      CAVITY "B"



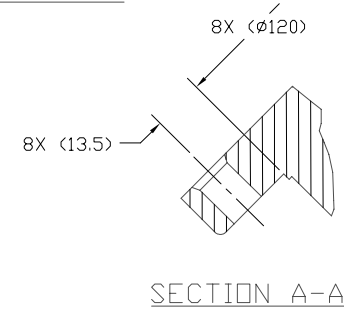
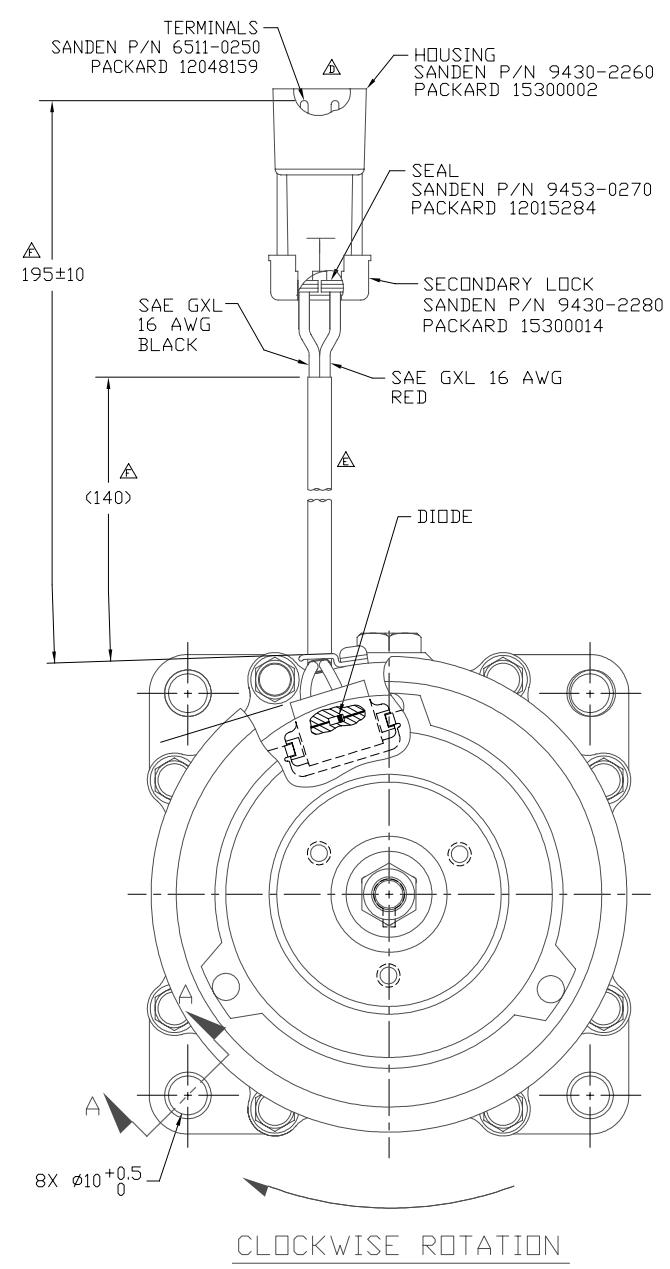
CIRCUIT DIAGRAM



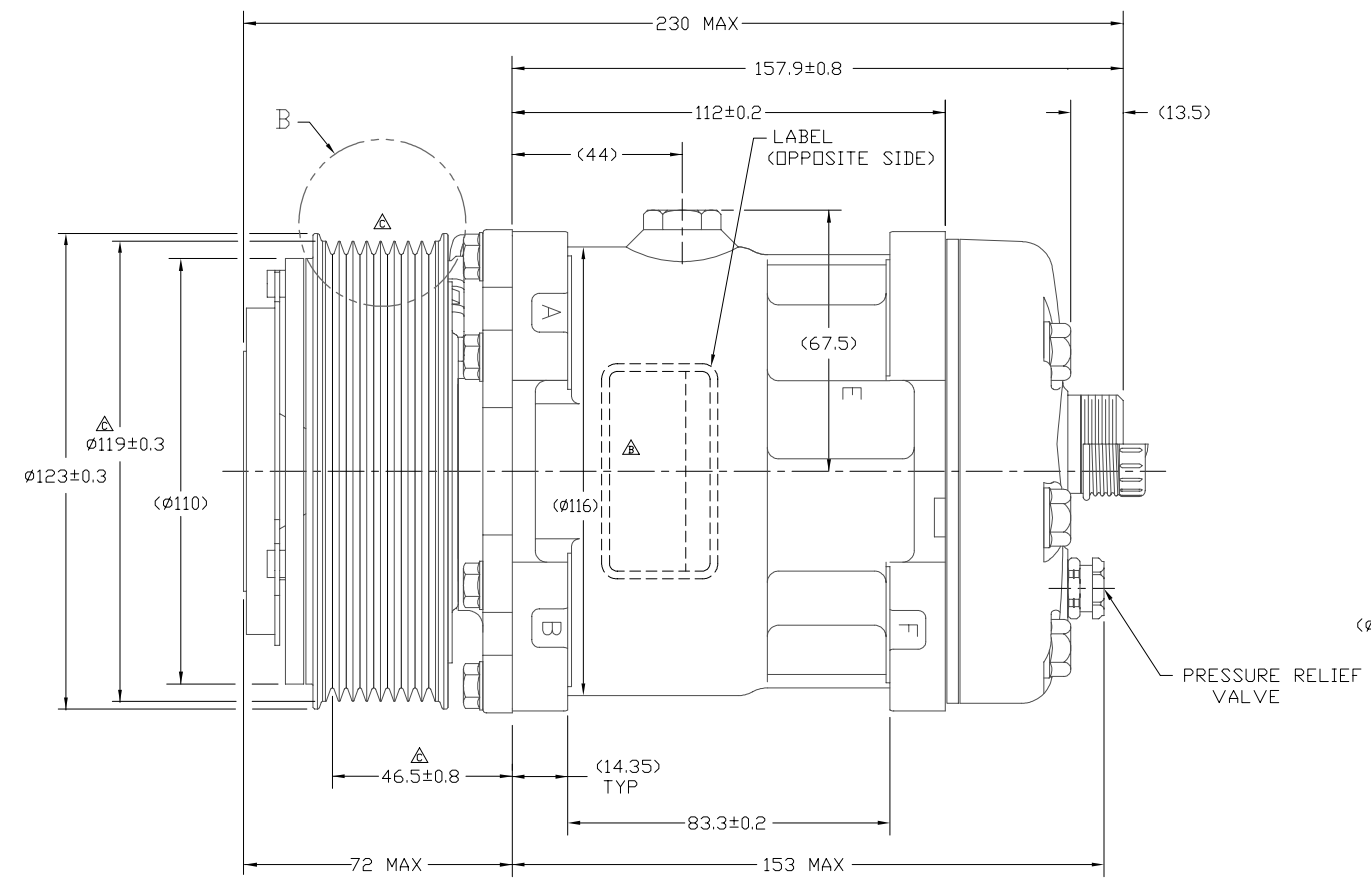
DETAIL B SCALE 2:1



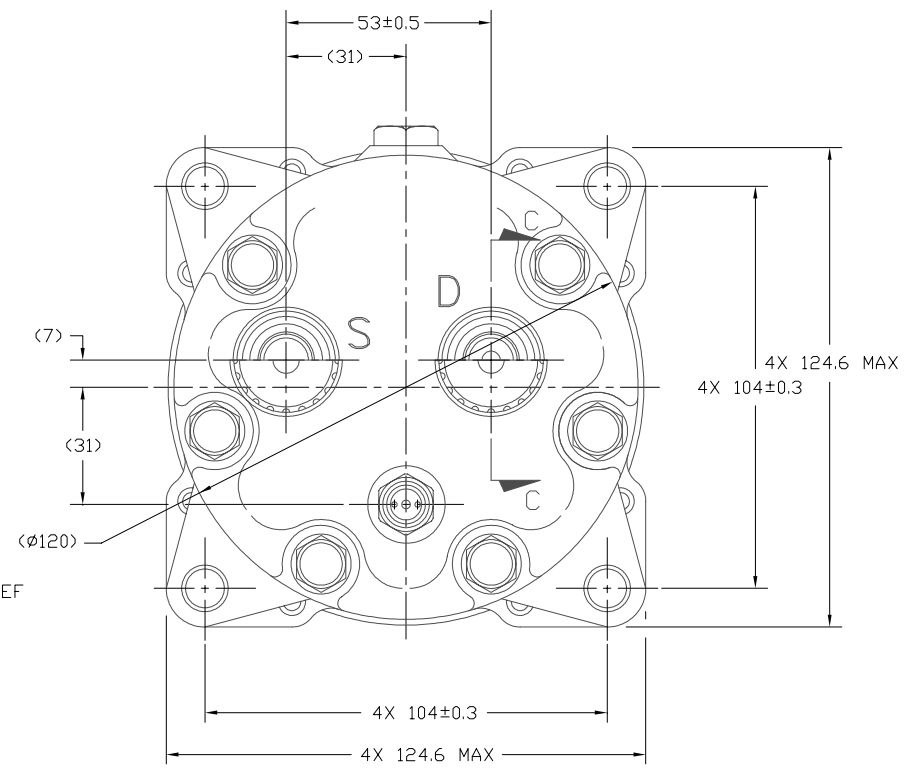
SECTION C-C SCALE: 2:1 TYPICAL BOTH PORTS (SECTION SHOWN WITH SEAL CAP REMOVED)



SECTION A-A



PRESSURE RELIEF VALVE



COMPRESSOR SPECIFICATIONS REF.

DISPLACEMENT PER REVOLUTION	154.9 cc / rev. ( 9.5 in. <sup>3</sup> / rev. )
MAXIMUM ALLOWABLE R.P.M.	8000 R.P.M.
MAXIMUM ALLOWABLE CONTINUOUS R.P.M.	6000 R.P.M.
REFRIGERANT	R134a
OIL (SP-15)	300 cc ( 10.1 fl. oz. )
CUSTOMER PART NUMBER	F69-6003-215

CLUTCH SPECIFICATIONS REF.

RATED VOLTAGE	DC 12V
BREAKAWAY TORQUE	3.5 kgf-m MIN. @ 12V
MINIMUM ENGAGEMENT VOLTAGE	7.5V @ AIR GAP 0.6mm
POWER CONSUMPTION	49 WATTS MAX.
BELT TYPE	PV8 TYPE
MAXIMUM ALLOWABLE BELT TENSION	120 kgf
PULLEY DIAMETER	Ø119mm ( 4.69 in. )
CLUTCH TYPE	HEAVY DUTY

NOTE:

- DIMENSIONS ARE TO VIRTUAL SHARP CORNERS UNLESS OTHERWISE SPECIFIED.
- COMPRESSOR TO BE CHARGED WITH NITROGEN PRIOR TO SHIPPING WITHIN 0.2 TO 1.6 kg/cm<sup>2</sup>.

DO NOT SCALE

PDCN	REV.	APPV DATE	REVISIONS	DWN	DSGN	CHK	APPV
			INITIAL ISSUE REF. DRAWING 4393-6000 REV. A				
2006027		2/6/06	LABEL POSITION CORRECTED	JS	AA	DRL	Y/N
2006253		8/24/06	MOTOR ASSY WAS: 6820-6020 REV B FIELD COIL ASSY WAS: 0463-6040 REV A Ø119 (4.69 in.) WAS Ø125mm (4.9 in.) PV8 TYPE WAS A TYPE 120 kgf WAS 60 kgf PER BELT	JS	AA	DRL	AA
2006278		9/20/06	COIL WINDING 0463-6040 WAS: 0460-6040	JS	HF	DRL	YN
2006325		12/15/06	COIL WINDING 6820-6040 WAS: 0463-6040	JS	HF	DRL	YN
2006440		01/25/07	ADDED: (140); 195±10 WAS 210±10	RSR	BC	DRL	YN

REV. LEVEL	RELEASED FOR: ENG'G DEVELOPMENT	<p>SANDEN INTERNATIONAL (U.S.A.), INC.</p>	<p>SCALE REF 1:1 PLOTTED SCALE REF NONE METRIC</p>
DWN	Dennis Lee 11/2/05		
CHK	DRL	<p>This drawing and the information contained hereon are CONFIDENTIAL and PROPRIETARY to Sanden International (U.S.A.), Inc., and are received in CONFIDENCE and shall not be used, copied, or disclosed to others without the written permission of Sanden International (U.S.A.), Inc.</p>	<p>INTERPRETATION OF THIS DRAWING PER ASME Y14.5M-1994</p>
APPV	Rene Martinez 11/7/05		
REV. LEVEL	RELEASED FOR: DESIGN VALIDATION	<p>THIRD ANGLE PROJECTION</p>	<p>SIZE D</p>
DWN	Alfredo Armendariz		
APPV	Rene Martinez 11/7/05	<p>MATERIAL:</p>	<p>NAME: COMPRESSOR</p>
REV. LEVEL	RELEASED FOR: PRODUCTION VAL'D.		
DWN	Alfredo Armendariz	<p>DWG. NO. 4394-6000</p>	<p>REV. F</p>
APPV	Rene Martinez 11/7/05		
REV. LEVEL	RELEASED FOR: PRODUCTION		
DWN	EMarrieta		
APPV	EMarrieta 6/26/07		