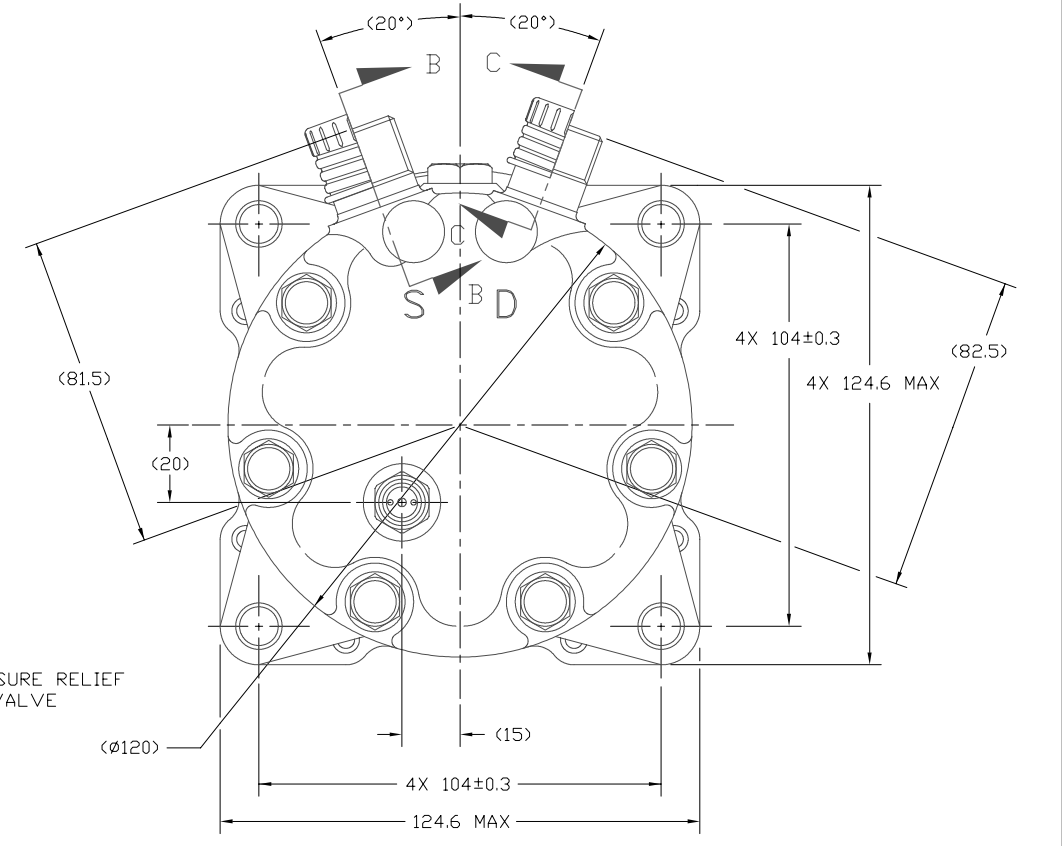
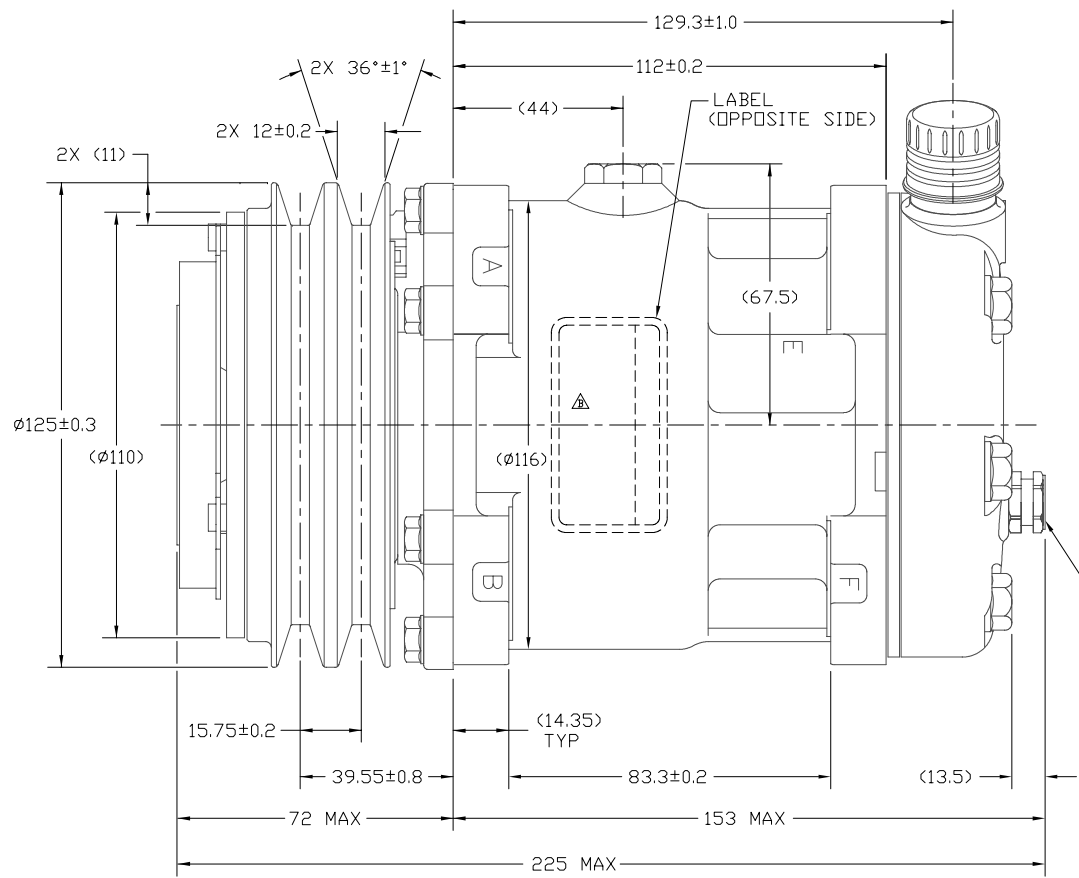
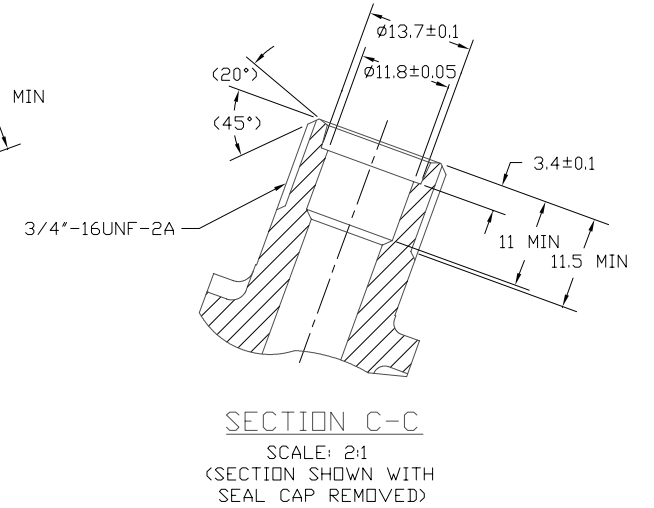
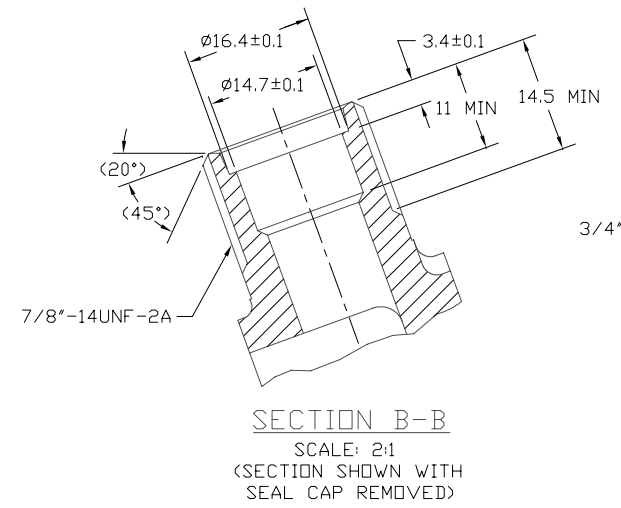
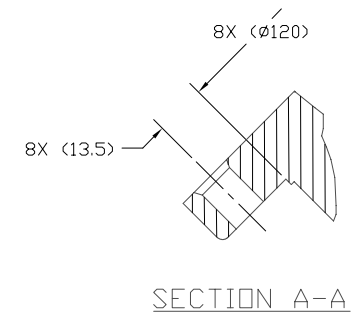
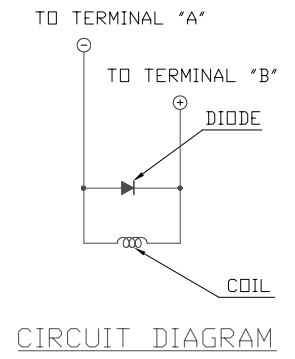
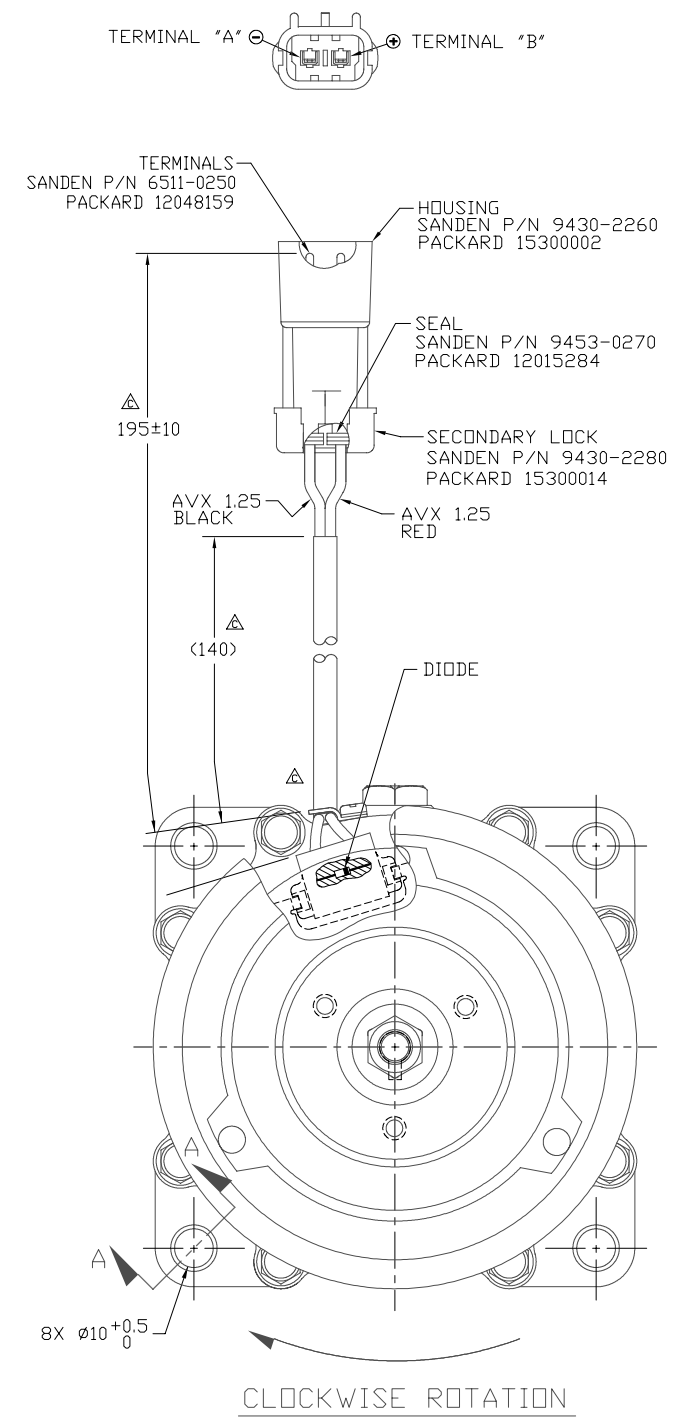


PDCN	REV.	APPV DATE	REVISIONS	DWN	DSGN	CHK	APPV
	△		INITIAL ISSUE REF DRAWING 4383-6000 REV. A				
2006027	△	2/6/06	LABEL POSITION CORRECTED	JS	AA	DRL	Y/NB
2006325	△	01/24/07	FIELD COIL: 6020-6040 WAS 0463-6040 ADDED (140)	RSR	AA	DRL	AA
2006440	△		195±10 WAS 210±10				



COMPRESSOR SPECIFICATIONS REF.

DISPLACEMENT PER REVOLUTION	154.9 cc / rev. (9.5 in. ³ / rev.)
MAXIMUM ALLOWABLE R.P.M.	8000 R.P.M.
MAXIMUM ALLOWABLE CONTINUOUS R.P.M.	6000 R.P.M.
REFRIGERANT	R134a
OIL (SP-15)	300 cc (10.1 fl. oz.)
CUSTOMER PART NUMBER	F69-6003-233

CLUTCH SPECIFICATIONS REF.

RATED VOLTAGE	DC 12V
BREAKAWAY TORQUE	3.5 kgf-m MIN. @ 12V
MINIMUM ENGAGEMENT VOLTAGE	7.5V @ AIR GAP 0.6mm
POWER CONSUMPTION	49 WATTS MAX.
BELT TYPE	A TYPE
MAXIMUM ALLOWABLE BELT TENSION	60 kgf PER BELT
PULLEY DIAMETER	$\phi 125$ mm (4.9 in.)
CLUTCH TYPE	HEAVY DUTY

NOTE:

1. DIMENSIONS ARE TO VIRTUAL SHARP CORNERS UNLESS OTHERWISE SPECIFIED.
2. COMPRESSOR TO BE CHARGED WITH NITROGEN PRIOR TO SHIPPING WITHIN 0.2 TO 1.6 kg/cm².

DO NOT SCALE

REV. LEVEL	RELEASED FOR ENGR. DEVELOPMENT	<p>SANDEN INTERNATIONAL (U.S.A.), INC.</p>	<p>DRAWN SCALE REF 1:1 PLOTTED SCALE REF NONE METRIC</p>
CHK	DRL		<p>This drawing and the information contained hereon are CONFIDENTIAL and PROPRIETARY to Sanden International (U.S.A.), Inc. and shall not be used, copied, or disclosed to others without the written permission of Sanden International (U.S.A.), Inc.</p>
APPV	Rene Martinez	<p>INTERPRETATION OF THIS DRAWING PER ASME Y14.5M-1994</p>	<p>THIRD ANGLE PROJECTION</p>
DATE	11/7/05	<p>SIZE D</p>	
REV. LEVEL	RELEASED FOR DESIGN VALIDATION		
DSGN	Alfredo Armendariz		
APPV	Rene Martinez		
DATE	11/7/05		
REV. LEVEL	RELEASED FOR PRODUCTION VAL'D.		
DSGN	Alfredo Armendariz		
APPV	Rene Martinez		
DATE	11/7/05		
REV. LEVEL	RELEASED FOR PRODUCTION		
DSGN	Y. Nagai		
APPV	Y. Nagai		
DATE	6/6/07		
		MATERIAL:	
		NAME	COMPRESSOR
		DWG. NO.	4392-6000
		REV.	C