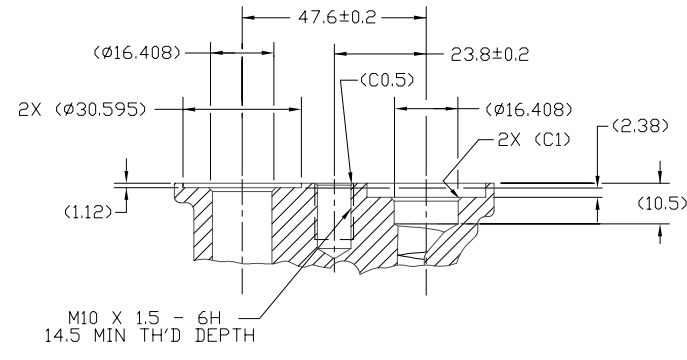
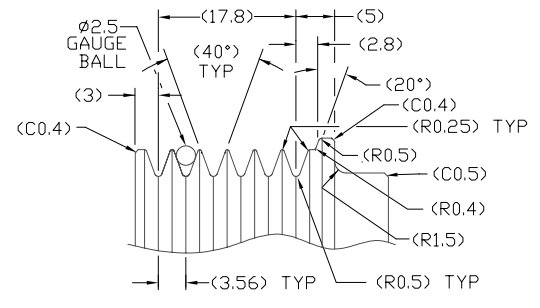


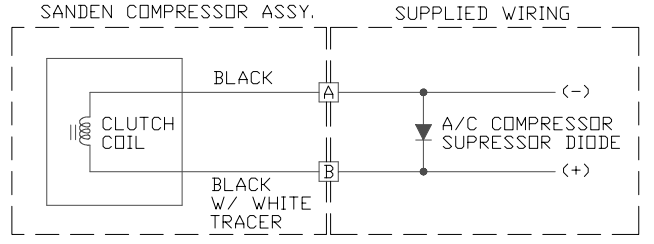
PCDN	REV.	APPV DATE	REVISIONS	DWN	DSGN	CHK	APPV
2006310	1	12/7/06	INITIAL ISSUE PRV 4307-6470 WAS 4967-6470; DIM (160.91) WAS (159.85); DIM (226.2) WAS (225.1)	DRL	JW	DRL	RM



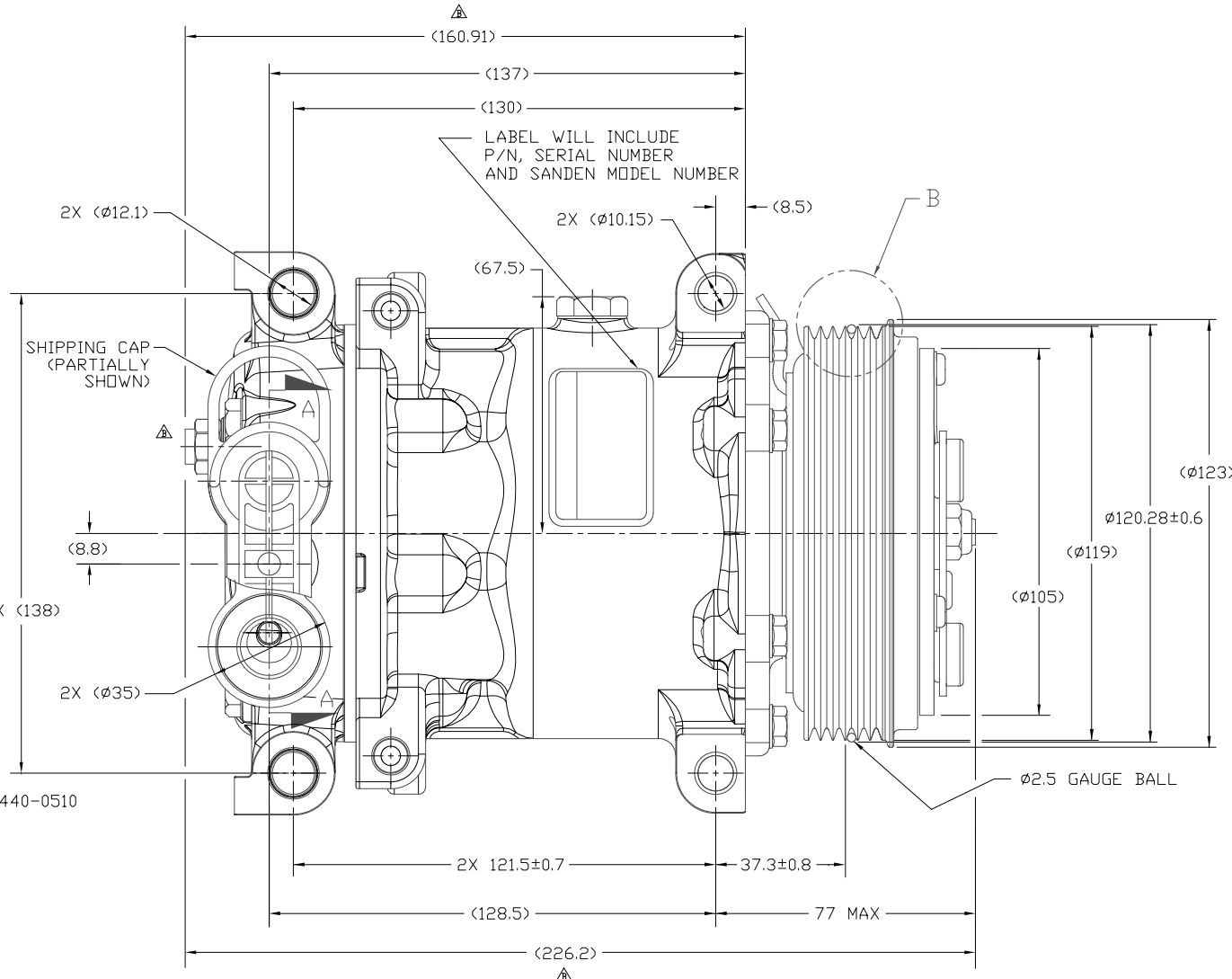
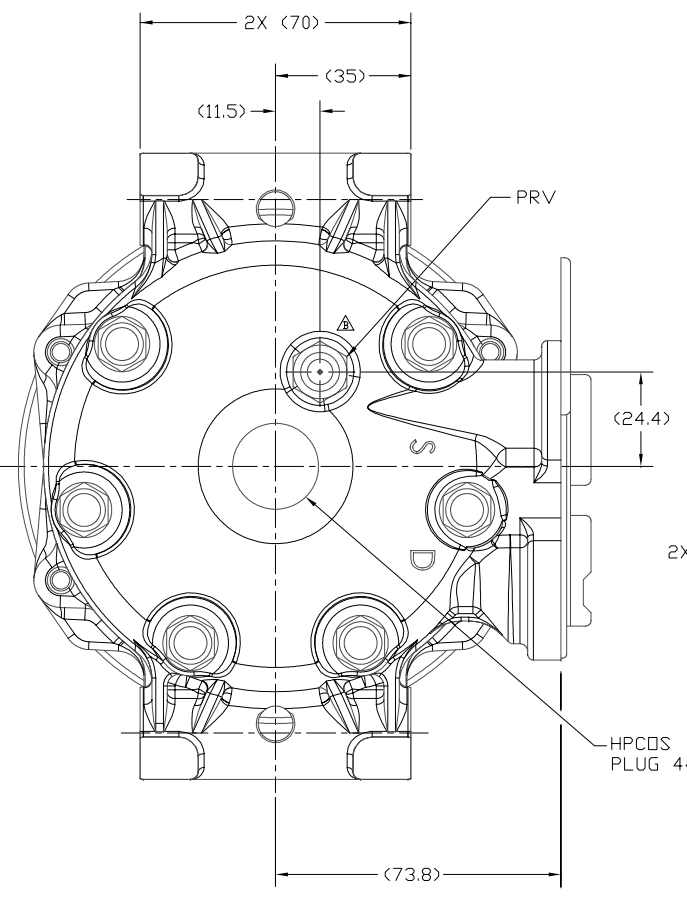
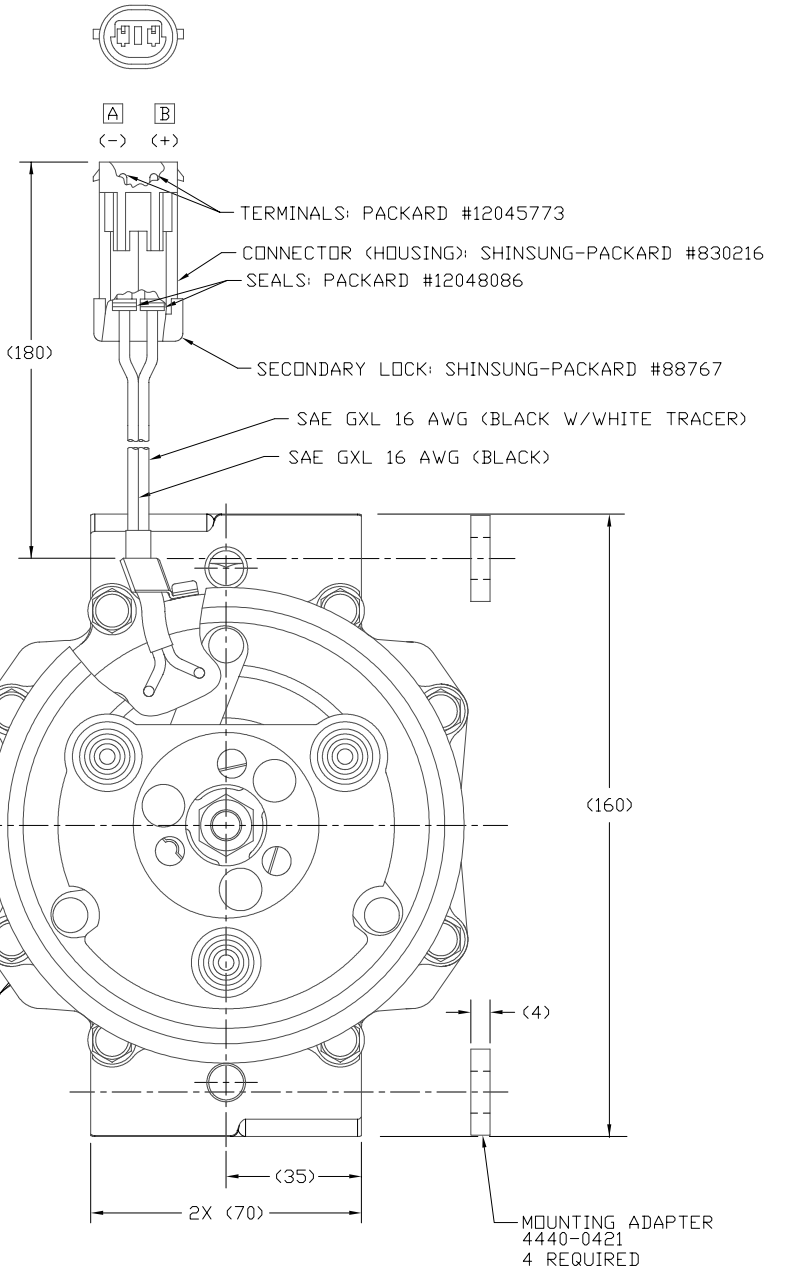
SECTION A-A
(SHIPPING CAP NOT SHOWN,
SECTION ROTATED 90° CCW)



DETAIL B
SCALE 2:1



COMPRESSOR/ENGINE WIRING DIAGRAM
(FOR REFERENCE ONLY)



COMPRESSOR SPECIFICATIONS (REF)

DISPLACEMENT PER REVOLUTION	154.9 cc / rev. (9.5cu.in. / rev.)
MAXIMUM ALLOWABLE R.P.M.	8000 r.p.m.
MAXIMUM ALLOWABLE CONTINUOUS R.P.M.	6000 r.p.m.
REFRIGERANT	R134a
OIL (SP-15)	135cc
WEIGHT	TBD

CLUTCH SPECIFICATIONS (REF)

RATED VOLTAGE	DC 12V
BREAKAWAY TORQUE	3.5 kgf-m
MINIMUM ENGAGEMENT VOLTAGE	7.5V max @ AIR GAP 0.6mm
POWER CONSUMPTION	49 watts max.
BELT TYPE	PV6
MAXIMUM ALLOWABLE BELT TENSION	120 kgf
PULLEY DIAMETER	Ø119
CLUTCH TYPE	STANDARD

DO NOT SCALE

REV. LEVEL	RELEASED FOR: ENG'G DEVELOPMENT	<p>SANDEN INTERNATIONAL (U.S.A.), INC.</p>	<p>SCALE REF 1:1 PLOTTED SCALE REF 1:1 METRIC</p>
A	<p>CHK: <i>DRL</i></p> <p>APPV: <i>Nabe Suma</i></p> <p>DATE: 10/5/05</p>		<p>This drawing and the information contained hereon are CONFIDENTIAL and PROPRIETARY to Sanden International (U.S.A.), Inc. and shall not be used, copied, or disclosed to others without the written permission of Sanden International (U.S.A.), Inc.</p>
REV. LEVEL	RELEASED FOR: DESIGN VALIDATION	<p>INTERPRETATION OF THIS DRAWING PER ASME Y14.5M-1994</p>	<p>THIRD ANGLE PROJECTION</p>
A	<p>APPV: <i>N.S. / J.N.</i></p> <p>DATE: 10/19/05</p>	<p>MATERIAL: -</p>	<p>SIZE: D</p>
REV. LEVEL	RELEASED FOR: PRODUCTION VAL'D.	<p>NAME: COMPRESSOR</p>	<p>REV. B</p>
A	<p>APPV: <i>N.S. / J.N.</i></p> <p>DATE: 10/19/05</p>	<p>DWG. NO. 4390-6000</p>	<p>REV. B</p>
REV. LEVEL	RELEASED FOR: PRODUCTION		
B	<p>APPV: <i>J. Watanabe</i></p> <p>DATE: 6/6/07</p>		