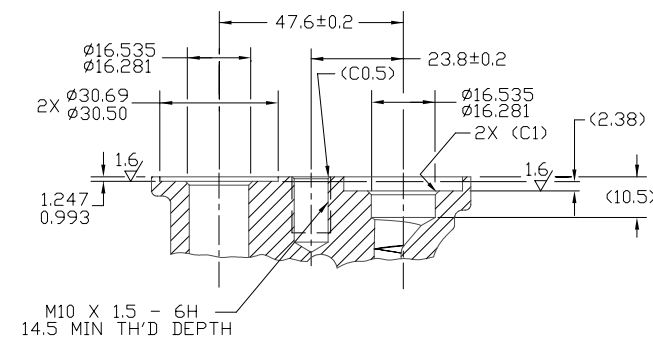
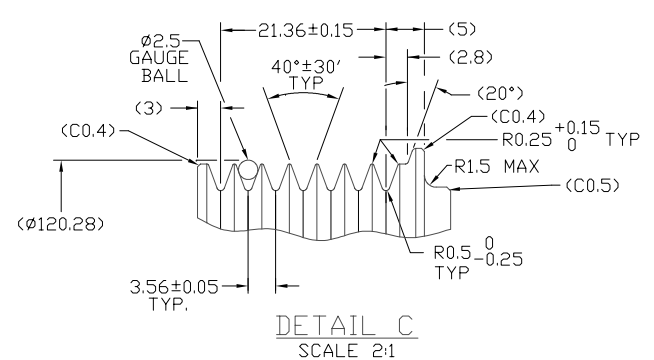


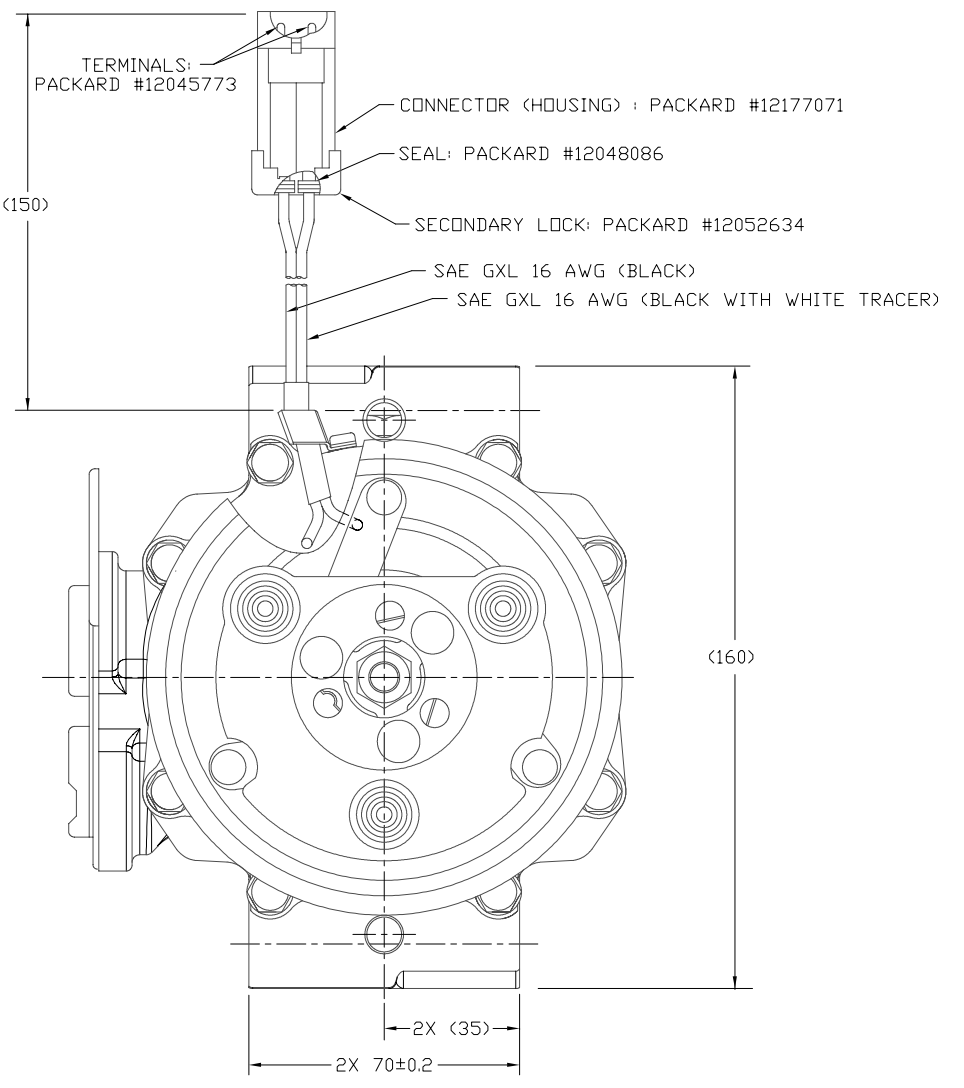
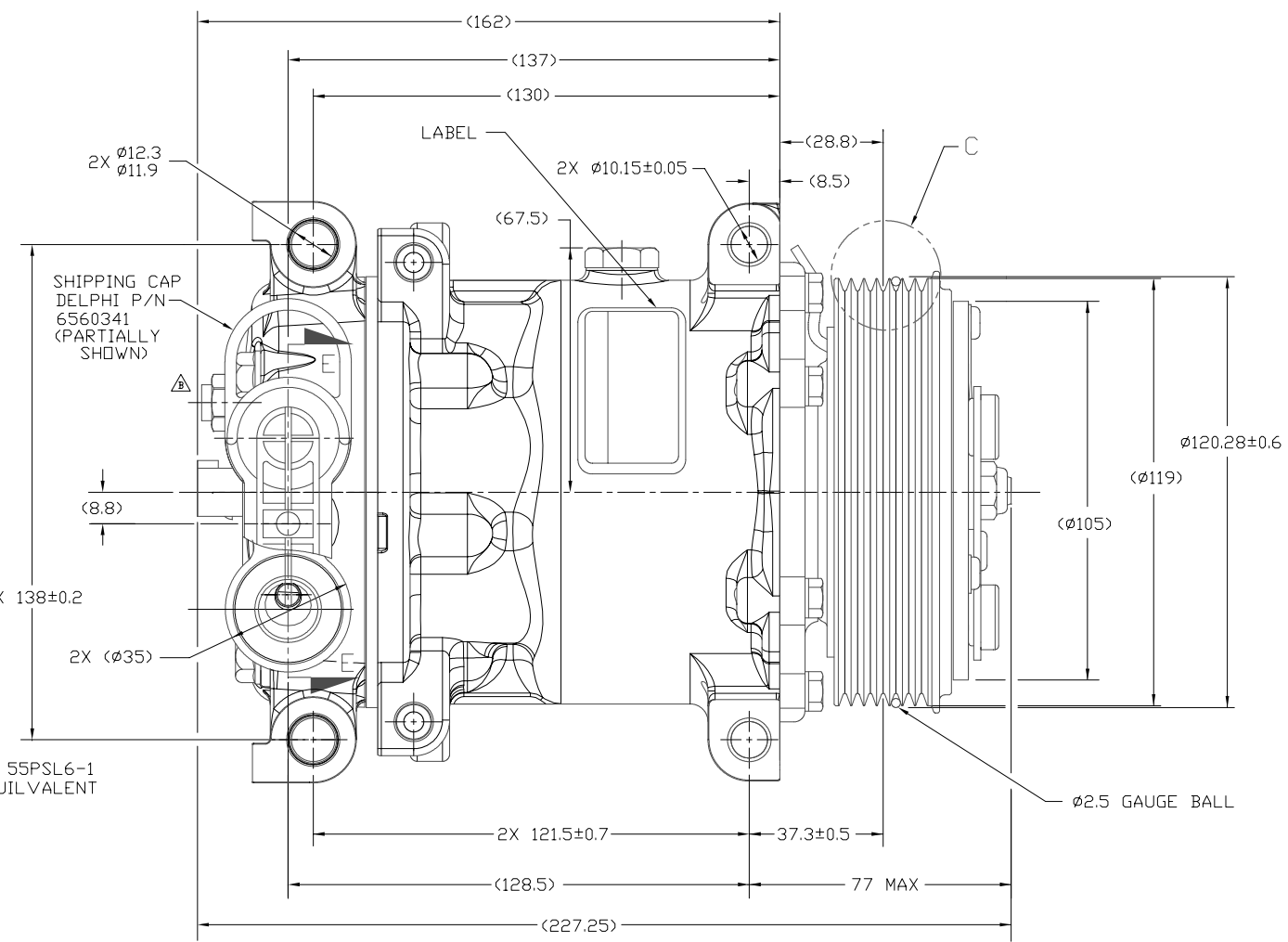
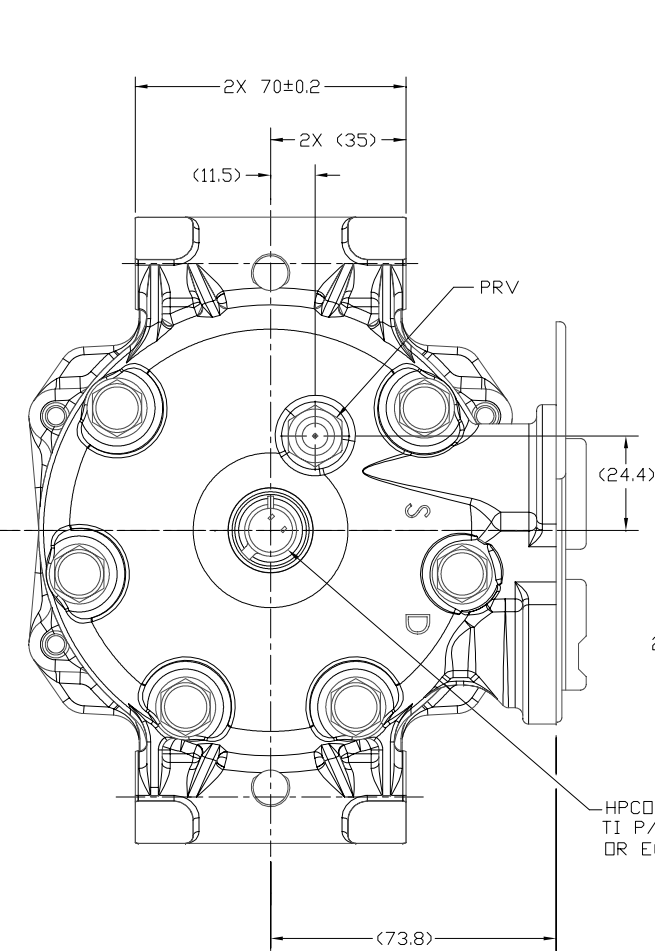
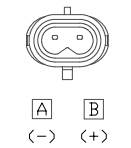
PDCN	REV.	APPV DATE	REVISIONS	DWN	DSGN	CHK	APPV
2006310	A	01/25/07	INITIAL RELEASE REF: DWG. NO. 4796-6000 REV. F. PRV CHANGE: 4307-6470 WAS 4967-6470	RSR	JW	DRL	RM



SECTION E-E
(SHIPPING CAP NOT SHOWN,
SECTION ROTATED 90° CCW)



DETAIL C
SCALE 2:1



COMPRESSOR SPECIFICATIONS (REF)

DISPLACEMENT PER REVOLUTION	154.9 cc / rev. (9.5cu.in. / rev.)
MAXIMUM ALLOWABLE R.P.M.	8000 r.p.m.
MAXIMUM ALLOWABLE CONTINUOUS R.P.M.	6000 r.p.m.
REFRIGERANT	R134a
OIL (SP-15)	240 cc (8.1 fl.oz.)
WEIGHT	7.9 kg (17.4 lb.)

CLUTCH SPECIFICATIONS (REF)

RATED VOLTAGE	DC 12V
BREAKAWAY TORQUE	3.5 kgf-m
MINIMUM ENGAGEMENT VOLTAGE	7.5V max @ AIR GAP 0.6mm
POWER CONSUMPTION	49 watts max.
BELT TYPE	PV7
MAXIMUM ALLOWABLE BELT TENSION	105 kgf
PULLEY DIAMETER	Ø119
CLUTCH TYPE	STANDARD

NOTE:
1. COMPRESSOR TO BE CHARGED WITH NITROGEN PRIOR TO SHIPPING WITHIN 0.2 TO 1.6 kg/cm .

DO NOT SCALE

REV. LEVEL	RELEASED FOR:	DATE	SCALE	REF	PLOTTED SCALE	REF
A	RELEASED FOR: ENG. DEVELOPMENT	8/18/05	1:1		NONE	METRIC
DWN	Jamey Waldrop					
CHK	Dennis Lee	7/5/05				
APPV.	NB					
DATE	AUG 18 2005					
A	RELEASED FOR: DESIGN VALIDATION	8/18/05				
DWN	Jamey Waldrop					
APPV.	NB					
DATE	AUG 18 2005					
A	RELEASED FOR: PRODUCTION VAL'D.	8/18/05				
DWN	Jamey Waldrop					
APPV.	NB					
DATE	AUG 18 2005					
A	RELEASED FOR: PRODUCTION	8/18/05				
DWN	Jamey Waldrop					
APPV.	NB					
DATE	AUG 18 2005					

SANDEN
SANDEN INTERNATIONAL (U.S.A.), INC.

DRAWN SCALE REF 1:1 PLOTTED SCALE REF NONE METRIC

INTERPRETATION OF THIS DRAWING PER ASME Y14.5M-1994

THIRD ANGLE PROJECTION

MATERIAL:

NAME: COMPRESSOR

DWG. NO. 4362-6000

REV. B