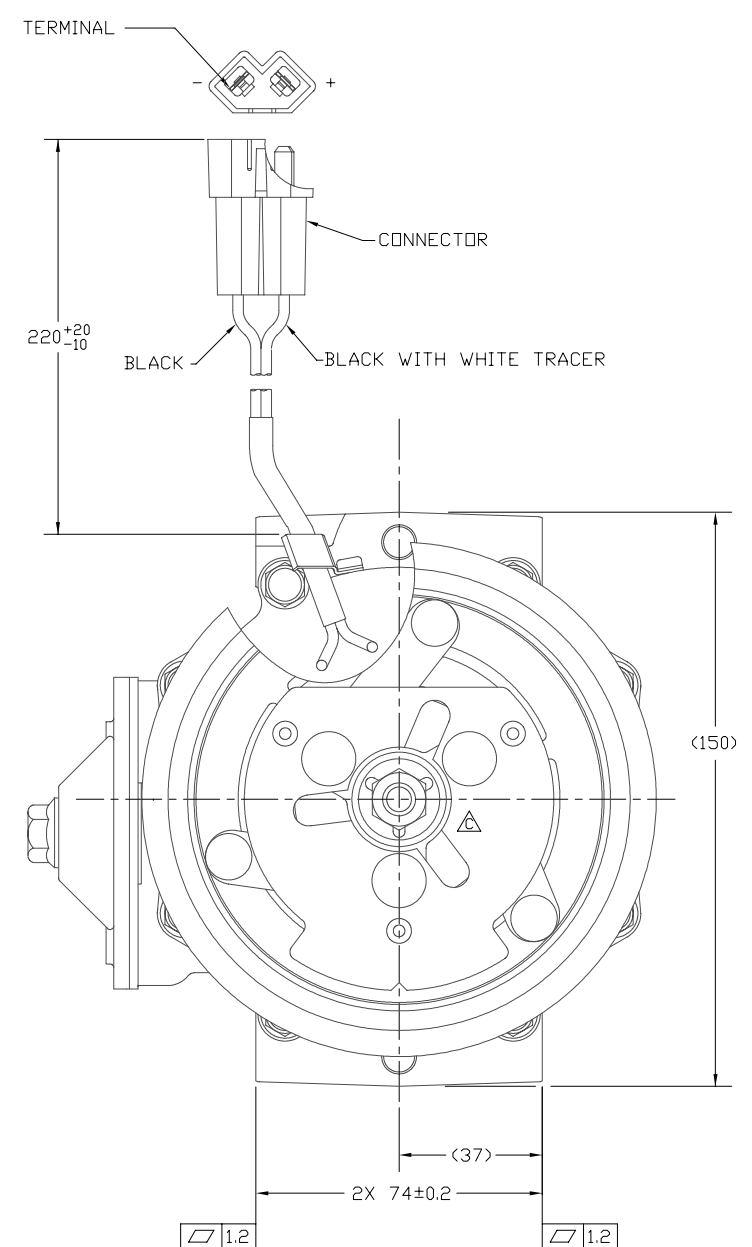
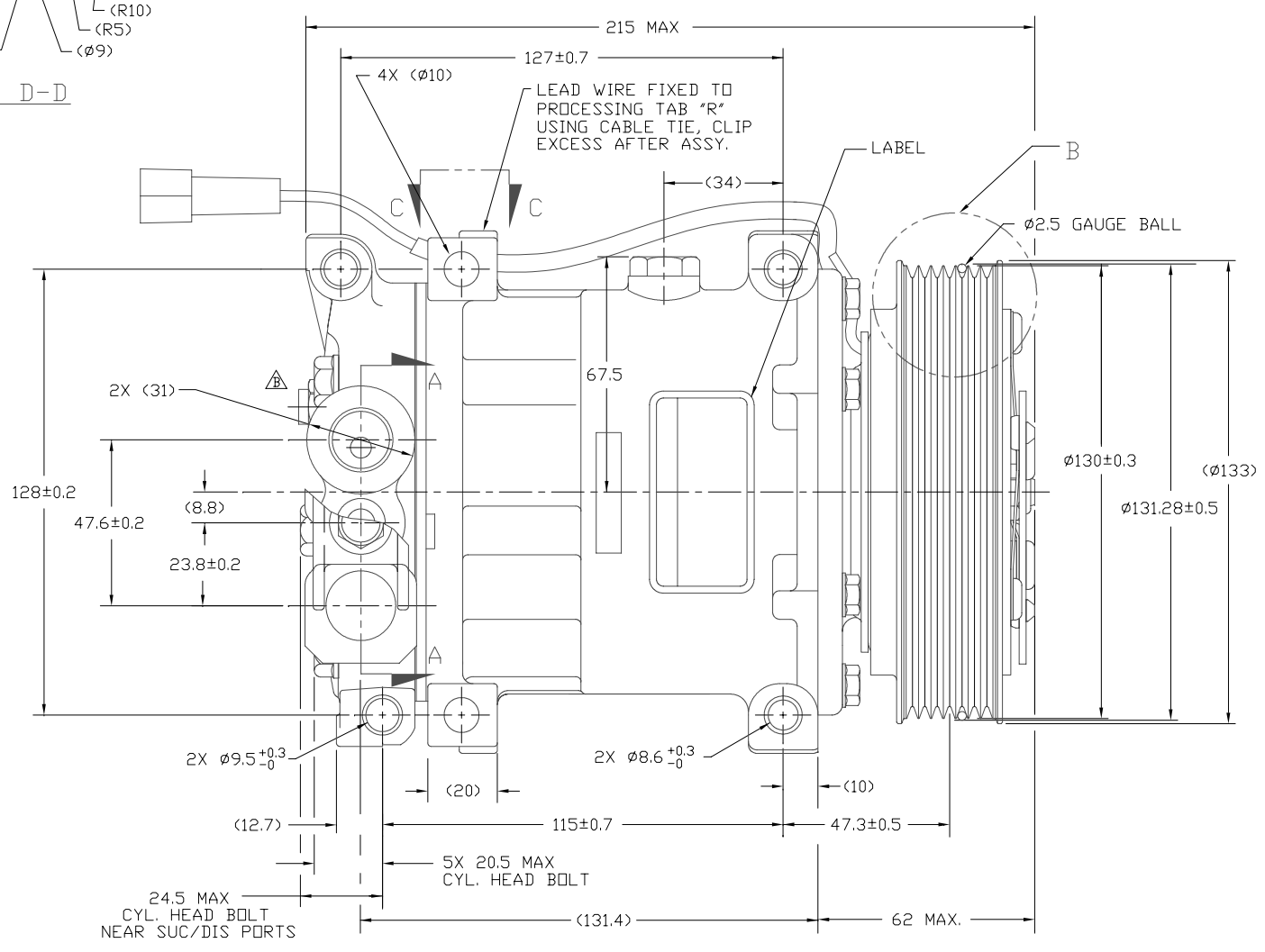
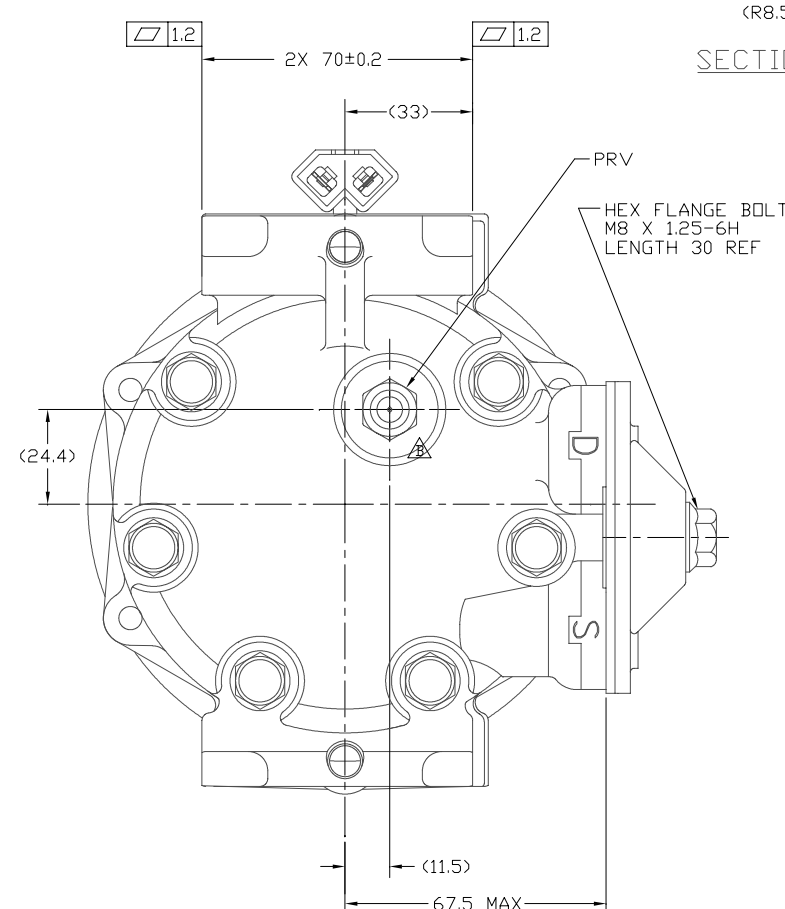
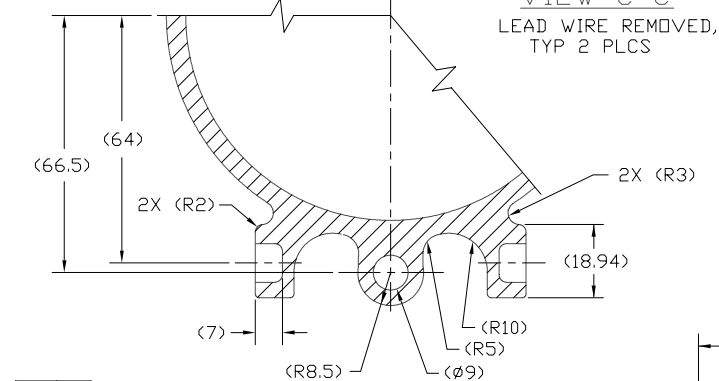
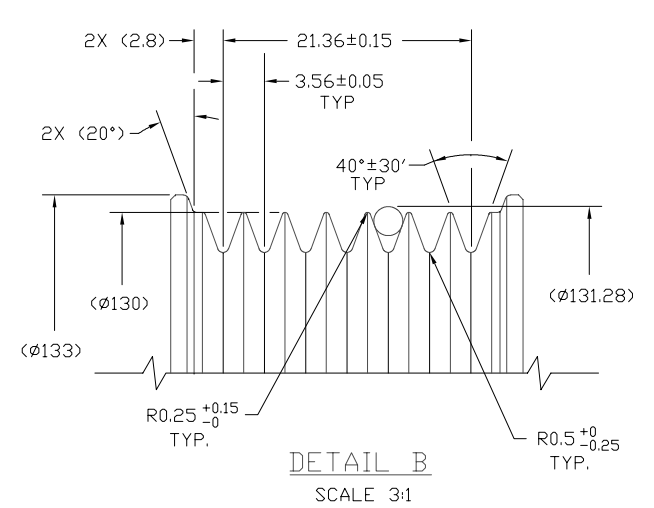
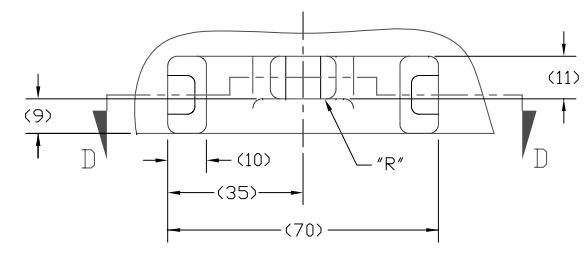
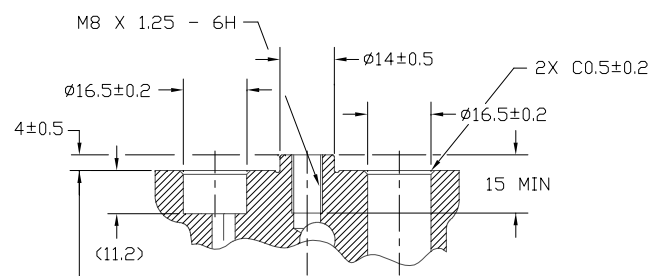


PDCN	REV.	APPV DATE	REVISIONS	DWN	DSGN	CHK	APPV
	A		INITIAL ISSUE				
2006310	B	12/7/06	PRV 4307-6470 WAS 4967-6470	DRL	JW	DRL	RM
2007287	A	04/09/08	UPDATED VIEW TO SHOW CORRECT LOCATION WASHER	RSR	SN	AA	YN



COMPRESSOR SPECIFICATIONS (REF)

DISPLACEMENT PER REVOLUTION	154.9 cc / rev. ( 9.5cu.in. / rev. )
MAXIMUM ALLOWABLE R.P.M.	8000 r.p.m.
MAXIMUM ALLOWABLE CONTINUOUS R.P.M.	6000 r.p.m.
REFRIGERANT	R134a
OIL (SP-15)	240cc ( 8.1 fl. oz. )
WEIGHT	4.7 kg ( 10.3 lb. )

CLUTCH SPECIFICATIONS (REF)

RATED VOLTAGE	DC 12V
BREAKAWAY TORQUE	3.5 kgf-m min. @ 12V
MINIMUM ENGAGEMENT VOLTAGE	7.5V max @ AIR GAP 0.6mm
POWER CONSUMPTION	49 watts max.
BELT TYPE	PV7
MAXIMUM ALLOWABLE BELT TENSION	105 kgf
PULLEY DIAMETER	130 (5.12 in.)

- NOTES:
1. COMPRESSOR MUST CONFORM TO SANDEN STD. SIA - ES 2002 REV. B.
  2. NITROGEN HOLDING CHARGE DELETED.

DO NOT SCALE

REV. LEVEL	RELEASED FOR ENGG. DEVELOPMENT	DATE	7/27/05	<p>SANDEN INTERNATIONAL ( U.S.A. ), INC.</p>	DRAWN SCALE REF	1:1	PLOTTED SCALE REF	NONE	METRIC
DWN	Dennis Lee	7/6/05	Jamey Waldrop		CHK	DRL			
APPV	NBurns	JUL 26 2005		<p>This drawing and the information contained hereon are CONFIDENTIAL and PROPRIETARY to Sanden International (U.S.A.), Inc., and are received in CONFIDENCE and shall not be used, copied, or disclosed to others without the written permission of Sanden International (U.S.A.), Inc.</p>					
REV. LEVEL	RELEASED FOR DESIGN VALIDATION	DATE	7/27/05	INTERPRETATION OF THIS DRAWING PER ASME Y14.5M-1994					
APPV	NBurns	JUL 26 2005		THIRD ANGLE PROJECTION					
REV. LEVEL	RELEASED FOR PRODUCTION VAL'D.	DATE	7/27/05	MATERIAL:					
DWN	Jamey Waldrop			NAME					
APPV	NBurns	JUL 26 2005		COMPRESSOR					
REV. LEVEL	RELEASED FOR PRODUCTION	DATE	7/27/05	DWG. NO.					
DWN	Jamey Waldrop			4359-6000					
APPV	NBurns	JUL 26 2005		REV					
				C					