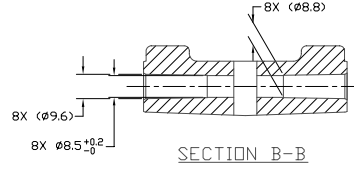
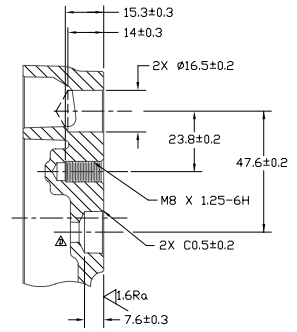


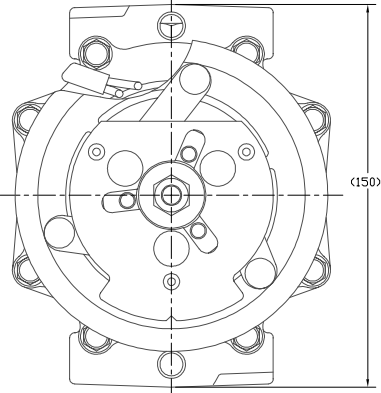
DETAIL A
SCALE 3:1



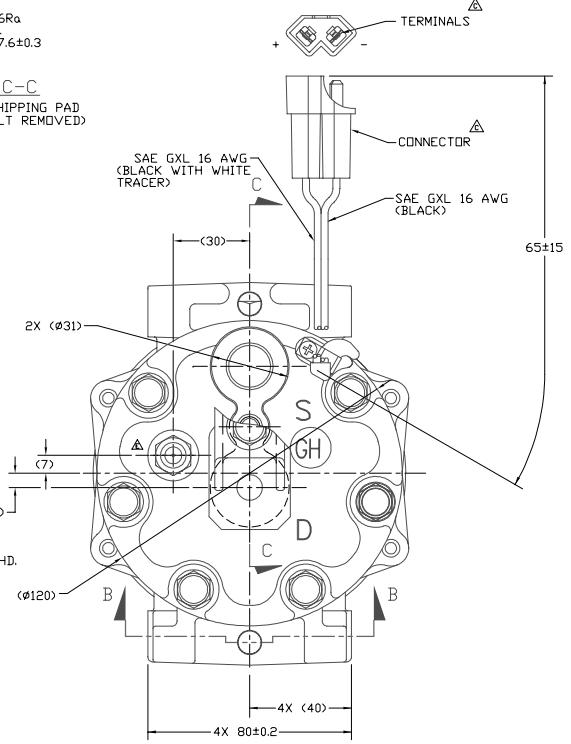
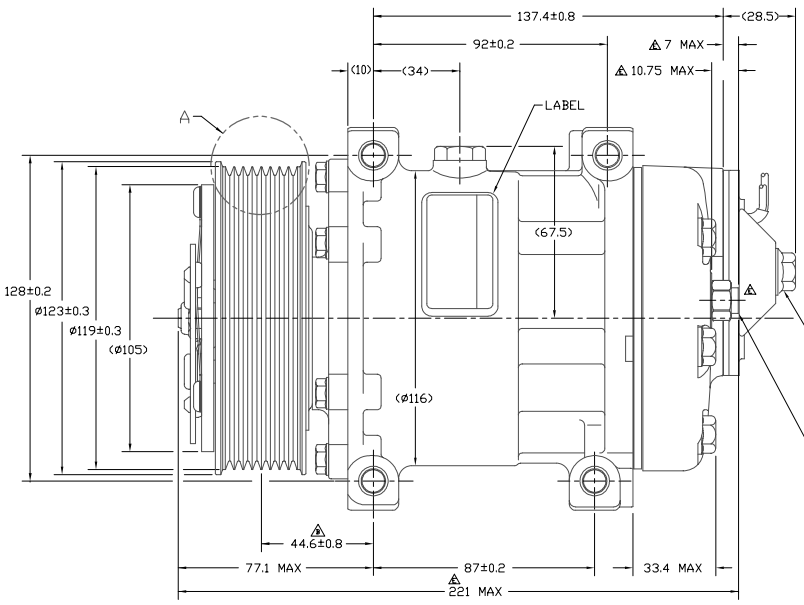
SECTION B-B



SECTION C-C
(SECTION WITH SHIPPING PAD ASSEMBLY AND BOLT REMOVED)



CLOCKWISE ROTATION



PBON	REV	APPV DATE	REVISIONS	DWN	ESGN	CHK	APPV
			INITIAL RELEASE REF. REV. 4606-6000 REV. J				
2005099	6/1/05		180 CC (8.1 FL. OZ.) WAS 240 CC (8.1 FL. OZ.) 44.6±0.8 WAS 44.6±0.3	JS	KS	DRL	NB
2005191K	07/13/05		ADDED 'REFRY' TO BOTH CHART TITLES 240 CC (8.1 FL. OZ.) WAS 180 CC (6.3 FL. OZ.) REMOVED PART NUMBER CALL. OUT FROM TECHNICAL AND CONNECTOR CALLOUT REVISED REF. FOR 750 & 800 OHM OHM	RSR	JW	DRL	NB
2005289	3/3/06		UPDATED DISCHARGE ORIFICE DIAMETER	JS	JB	DRL	JW NB
2006310	11/29/06		PRV 4307-6470 WAS #967-6470 1070 MAX WAS 1074 MAX 7 MAX WAS 5.9 MAX 221 MAX WAS 220 MAX	JS	RM	DRL	RM

COMPRESSOR SPECIFICATIONS (REF)

DISPLACEMENT PER REVOLUTION	154.9 cc / rev. (9.5cuin. / rev.)
MAXIMUM ALLOWABLE R.P.M.	8000 R.P.M.
MAXIMUM ALLOWABLE CONTINUOUS R.P.M.	6000 R.P.M.
REFRIGERANT	R134a
OIL (SP-15)	240 cc (8.1 floz.)
WEIGHT	4.7 kg (10.3 lb.)

CLUTCH SPECIFICATIONS (REF)

RATED VOLTAGE	DC 12V
BREAKAWAY TORQUE	3.5 kgf-m min. @ 12V
MINIMUM ENGAGEMENT VOLTAGE	7.5V @ AIR GAP 0.6mm
POWER CONSUMPTION	49 watts max.
BELT TYPE	PV8 TYPE
MAXIMUM ALLOWABLE BELT TENSION	120 kgf
PULLEY DIAMETER	Ø119mm (4.69 in.)

- NOTES:
1. COMPRESSOR/CLUTCH MUST CONFORM TO THE REQUIREMENTS OF SANDEN STANDARDS SES-214 REV. B AND SIA-ES-2002 REV. B.
2. NITROGEN HOLDING CHARGE DELETED.

REV. LEVEL	RELEASED FOR PRODUCTION	DATE	DESIGN VAL. 07/13/05	APPV	DATE	07/13/05	DESIGN	Jonney Waldrop
REV. LEVEL	RELEASED FOR PRODUCTION	DATE	DESIGN VAL. 07/13/05	APPV	DATE	07/13/05	DESIGN	Jonney Waldrop
REV. LEVEL	RELEASED FOR PRODUCTION	DATE	DESIGN VAL. 07/13/05	APPV	DATE	07/13/05	DESIGN	Jonney Waldrop

SCALE REF 1:1 PLOTTED SCALE REF 1:1 METRIC

INTERPRETATION OF THIS DRAWING PER ASME Y14.5M-1994

THIRD ANGLE PROJECTION

MATERIAL:

NAME: COMPRESSOR

DWG. NO. 4330-6000

REV. E

DO NOT SCALE