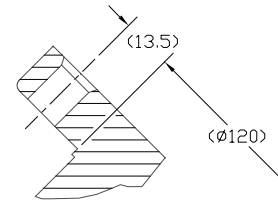
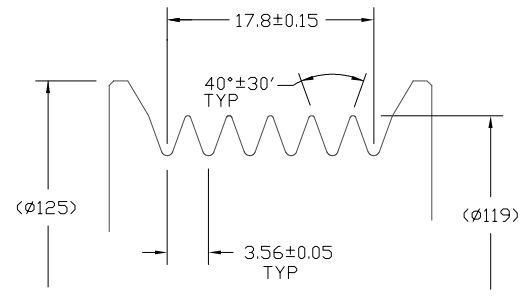


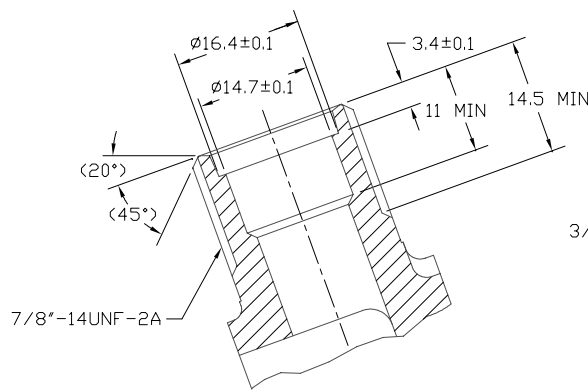
PDCN	REV.	APPV DATE	REVISIONS	DWN	DSGN	CHK	APPV
			INITIAL RELEASE REF. DRAWING NO. A05MR-6000 REV. A				
2006310		12/7/06	PRV 4307-6470 WAS 4967-6470; DIM 222 MAX WAS 221 MAX; DIM 155 MAX WAS 154 MAX		DRL	JW	DRL RM



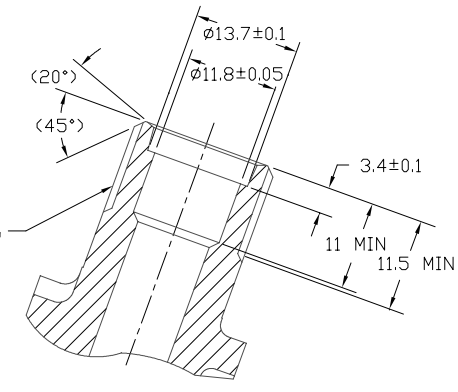
SECTION A-A



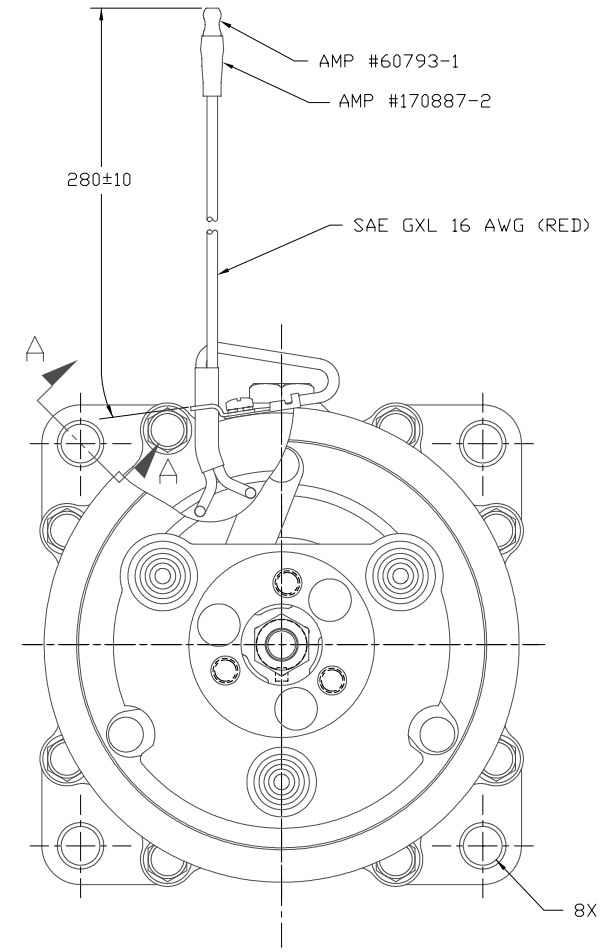
DETAIL B
SCALE: 3:1



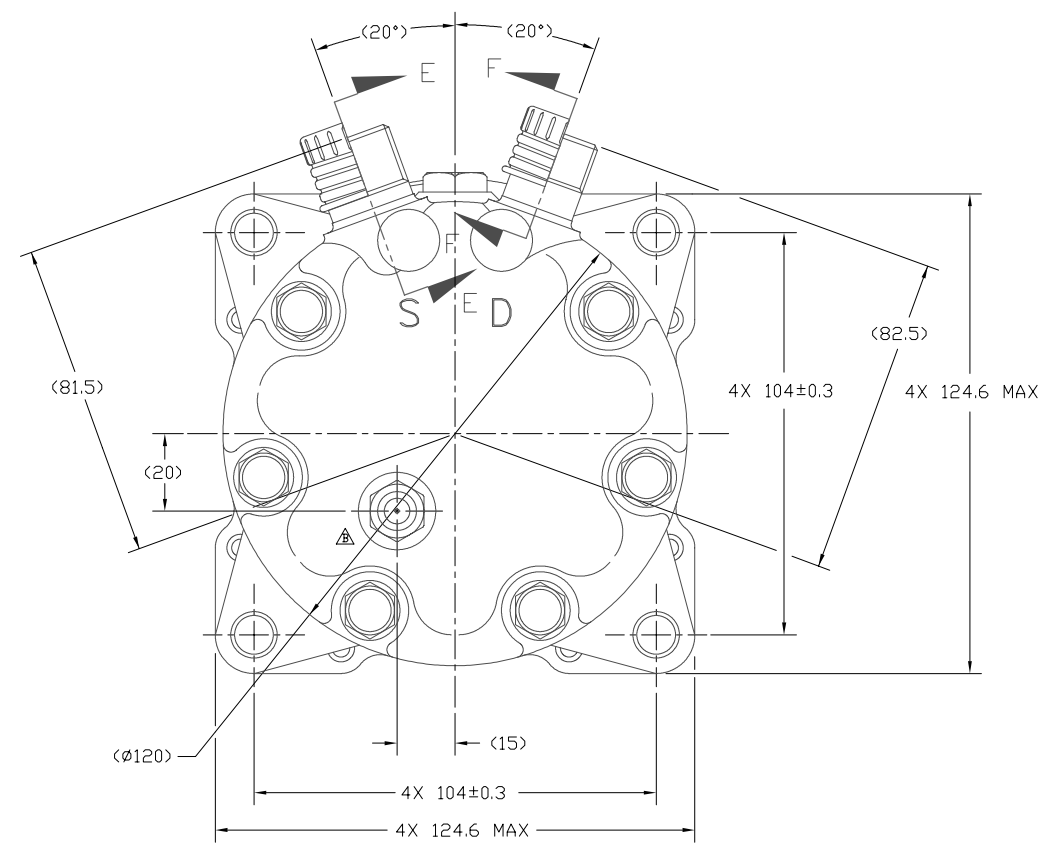
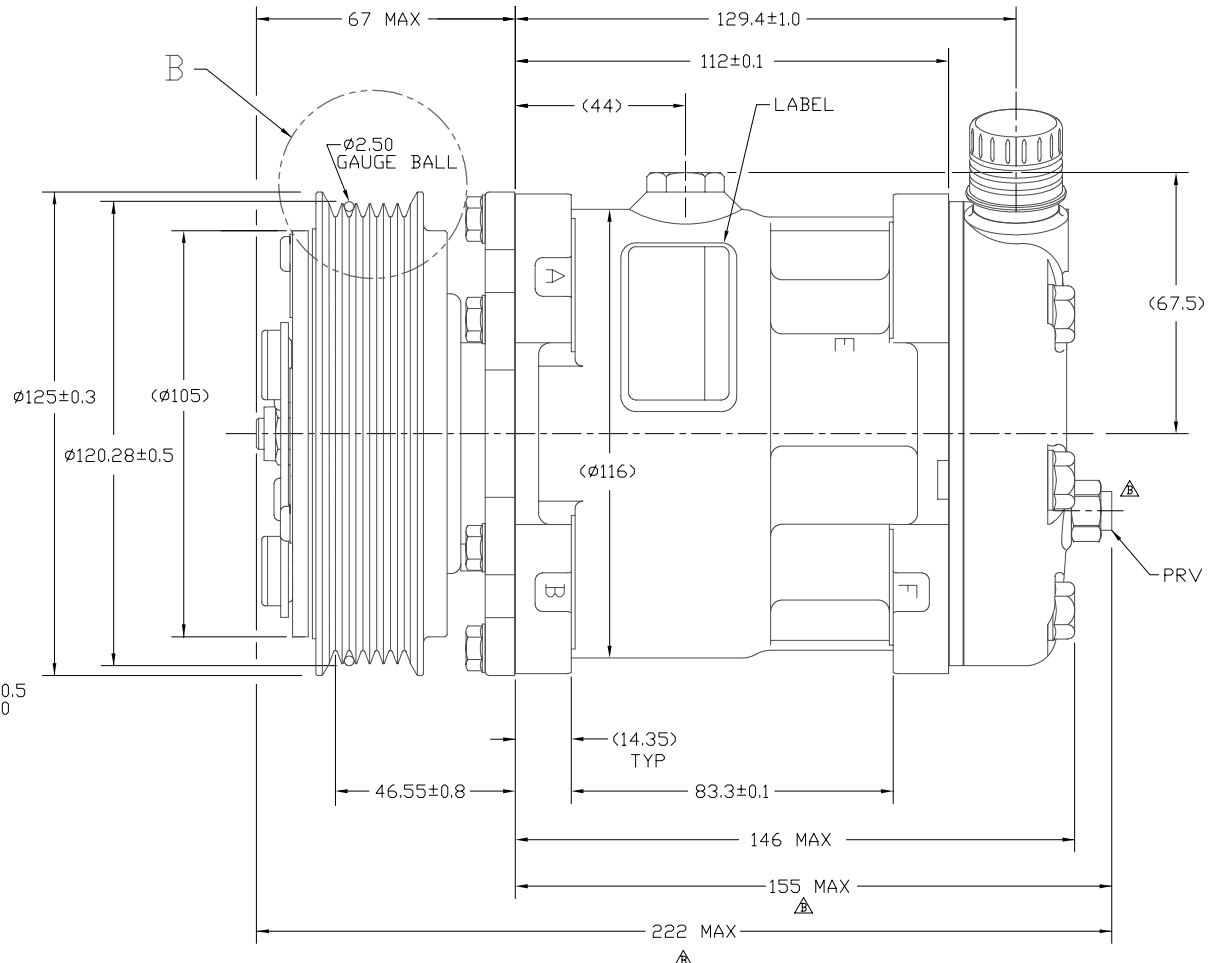
SECTION E-E
SCALE: 2:1
(SECTION SHOWN WITH SEAL CAP REMOVED)



SECTION F-F
SCALE: 2:1
(SECTION SHOWN WITH SEAL CAP REMOVED)



CLOCKWISE ROTATION



COMPRESSOR SPECIFICATIONS

DISPLACEMENT PER REVOLUTION	154.9 cc / rev. (9.5cu.in. / rev.)
MAXIMUM ALLOWABLE R.P.M.	5000 R.P.M.
MAXIMUM ALLOWABLE CONTINUOUS R.P.M.	5000 R.P.M.
REFRIGERANT	R134a
OIL (SP-15)	300 cc (10.1 fl.oz.)
WEIGHT	7.6 kgf (16.8 lb.)

CLUTCH SPECIFICATIONS

RATED VOLTAGE	DC 12V
BREAKAWAY TORQUE	3.5 kgf-m min. @ 12V
MINIMUM ENGAGEMENT VOLTAGE	7.5V @ AIR GAP 0.6mm REF
POWER CONSUMPTION	49 watts max.
BELT TYPE	PV6 TYPE
MAXIMUM ALLOWABLE BELT TENSION	120 kgf
PULLEY DIAMETER	119mm (4.68 in.)
CLUTCH TYPE	HEAVY DUTY

DO NOT SCALE

REV. LEVEL	RELEASED FOR	DATE	SCALE REF	PLOTTED SCALE REF	INTERPRETATION OF THIS DRAWING PER	SIZE
A	DESIGN	4/1/05	1:1	1:1	ASME Y14.5M-1994	D
A	DESIGN VALIDATION	4/21/05			THIRD ANGLE PROJECTION	
A	PRODUCTION	4/21/05				
A	PRODUCTION	4/21/05				

SANDEN
SANDEN INTERNATIONAL (U.S.A.), INC.

This drawing and the information contained hereon are CONFIDENTIAL and PROPRIETARY to Sanden International (U.S.A.), Inc. and shall not be used, copied, or disclosed to others without the written permission of Sanden International (U.S.A.), Inc.

NAME: COMPRESSOR

DWG. NO: 4328-6000

REV: B