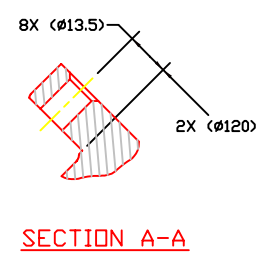
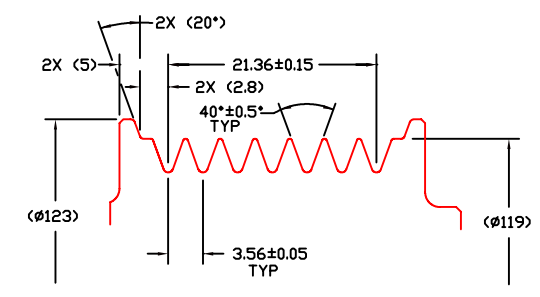


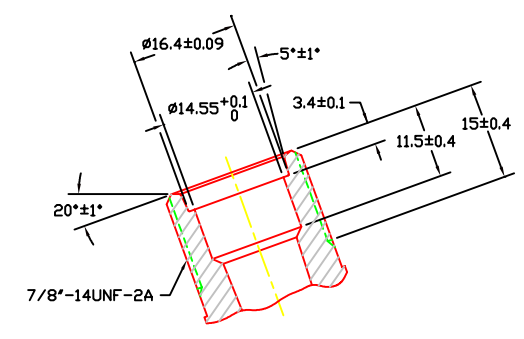
PCDN	REV.	APPV	DATE	REVISIONS	DWG	DSGN	CHK	APPV
				INITIAL ISSUE REF. DWG. 4323-6000 REV. A				



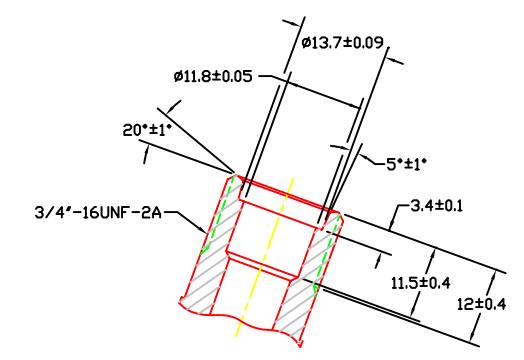
SECTION A-A



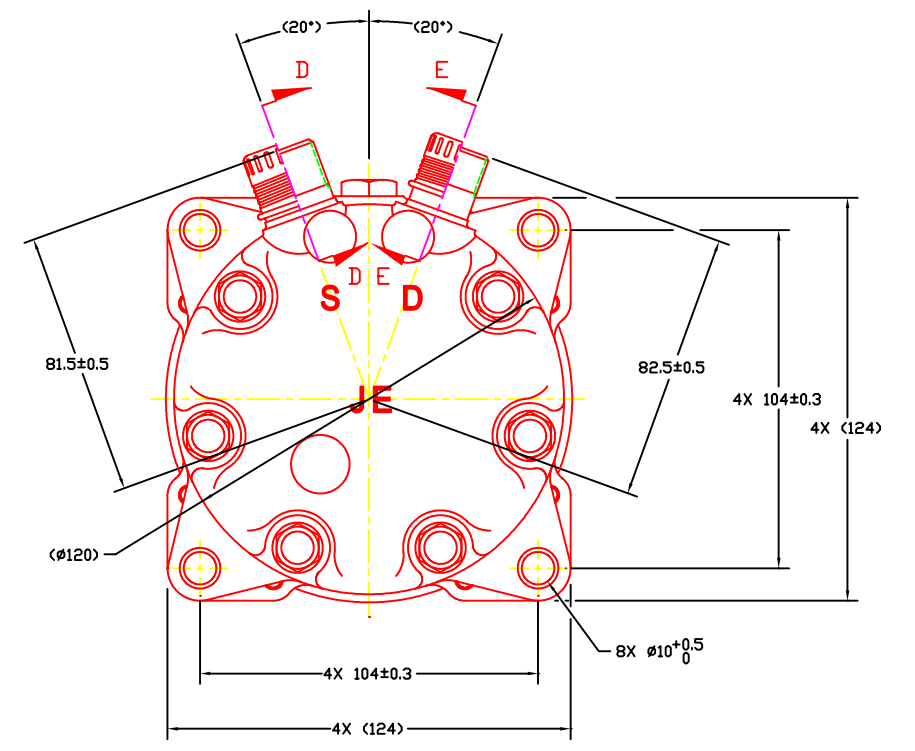
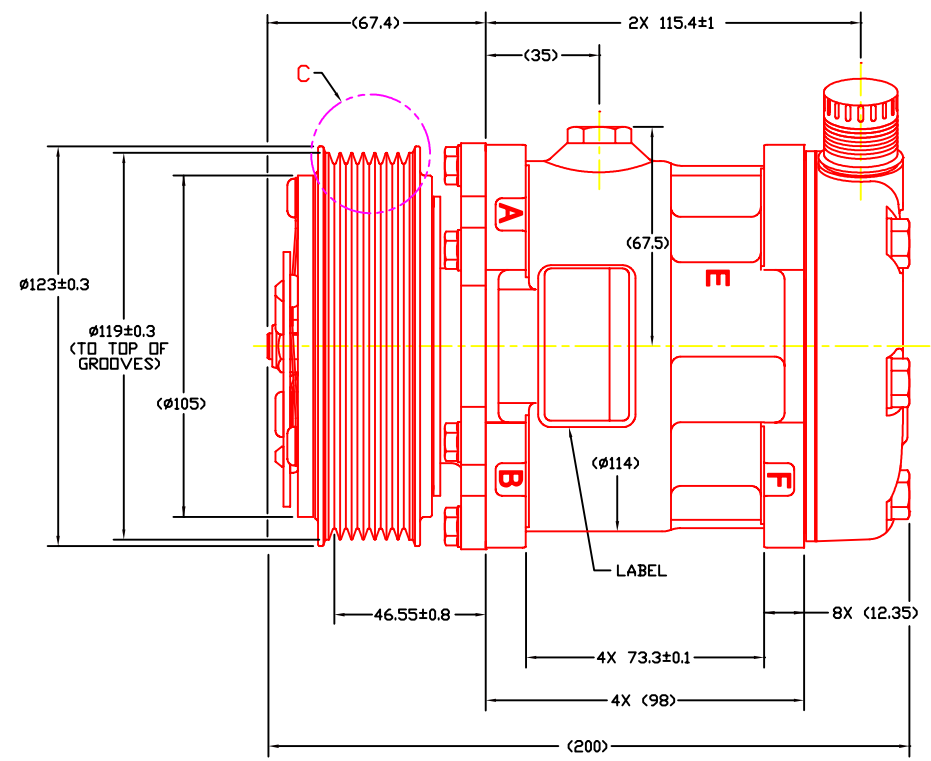
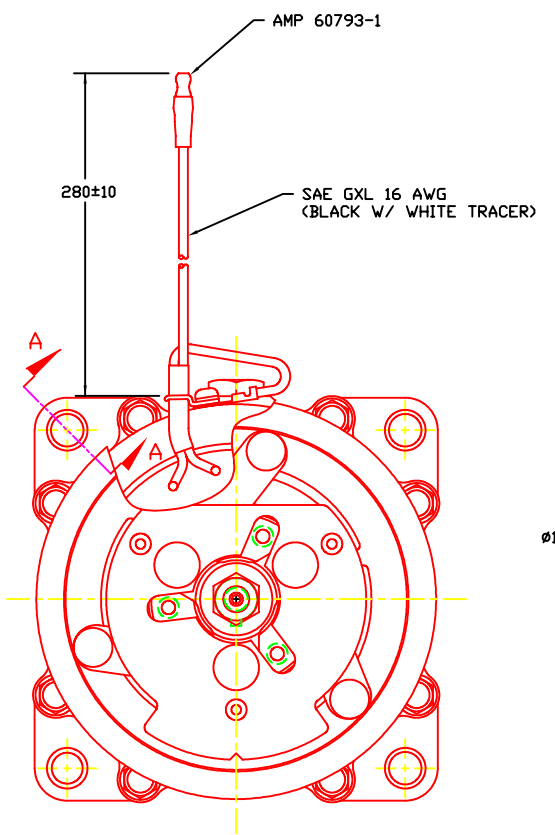
DETAIL C  
SCALE 3:1



SECTION D-D  
SCALE 2:1



SECTION E-E  
SCALE 2:1



COMPRESSOR SPECIFICATIONS

DISPLACEMENT PER REVOLUTION	129.2 cc/rev. ( 7.9 cu.in./rev. )
MAXIMUM ALLOWABLE R.P.M.	7000 r.p.m.
MAXIMUM ALLOWABLE CONTINUOUS R.P.M.	6000 r.p.m.
REFRIGERANT	R134a
OIL ( SP-20 OR EQUIV. )	135cc ( 4.6 fl.oz. )
WEIGHT	TBD

CLUTCH SPECIFICATIONS

RATED VOLTAGE	DC 12V
BREAKAWAY TORQUE	3.5 kgf-m MIN. @ 12V
MINIMUM ENGAGEMENT VOLTAGE	7.5V @ AIR GAP 0.6mm REF
POWER CONSUMPTION	49 WATTS MAX. (CU)
BELT TYPE	PV7 TYPE
MAXIMUM ALLOWABLE BELT TENSION	120 kgf
PULLEY DIAMETER	Ø119mm (4.69 in.)
CLUTCH TYPE	STANDARD

REV. LEVEL	RELEASED FOR DESIGN DEVELOPMENT	 SANDEN INTERNATIONAL (U.S.A.), INC.
DSGN	J. Hubb 5/3/05	
DWN	J. Sokolowski	<small>This drawing and the information contained hereon are CONFIDENTIAL and PROPRIETARY to Sanden International (U.S.A.), Inc. and shall not be used, copied, or disclosed to others without the written permission of Sanden International (U.S.A.), Inc.</small>
CHK	Ch. Dennis Lee 5/2/05	
APPV.	R. Garver	<small>INTERPRETATION OF THIS DRAWING PER ASME Y14.5M-1994</small>
APPV.	DATE 5/3/05	
REV. LEVEL	RELEASED FOR DESIGN VALIDATION	<small>THIRD ANGLE PROJECTION</small>
DSGN	J. Hubb 5/3/05	
APPV.	R. Garver	<small>MATERIAL:</small>
APPV.	DATE 5/3/05	
REV. LEVEL	RELEASED FOR PRODUCTION	<small>NAME</small>
DSGN	J. Hubb 5/3/05	
APPV.	R. Garver	<b>COMPRESSOR</b>
APPV.	DATE 5/3/05	
REV. LEVEL	RELEASED FOR PRODUCTION	<small>DWG. NO.</small>
DSGN	J. Hubb 5/3/05	
APPV.	R. Garver	<b>4323-6000</b>
APPV.	DATE 5/3/05	
REV. LEVEL	RELEASED FOR PRODUCTION	<small>REV</small>
DSGN	J. Hubb 5/3/05	
APPV.	R. Garver	<b>A</b>
APPV.	DATE 5/3/05	

DO NOT SCALE