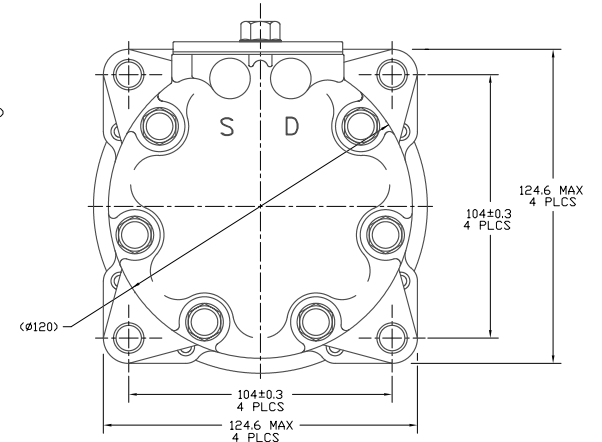
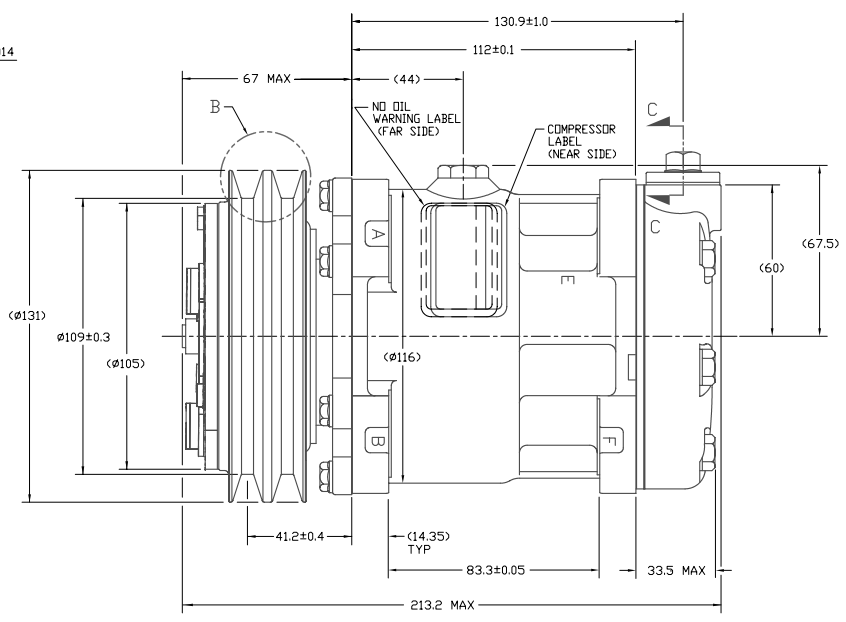
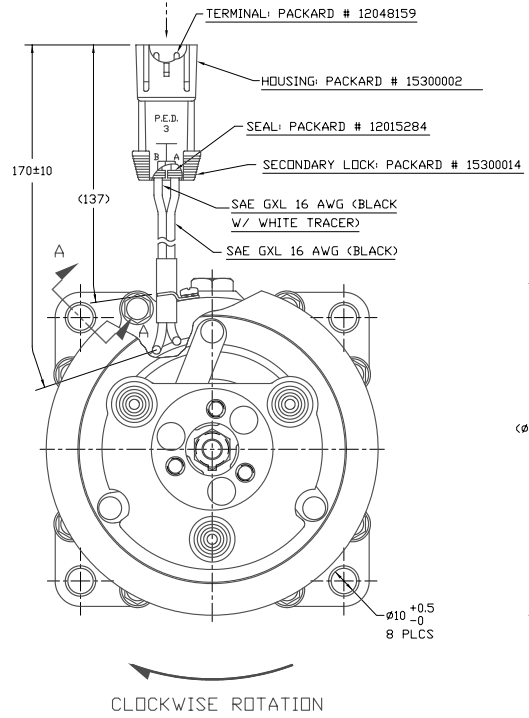
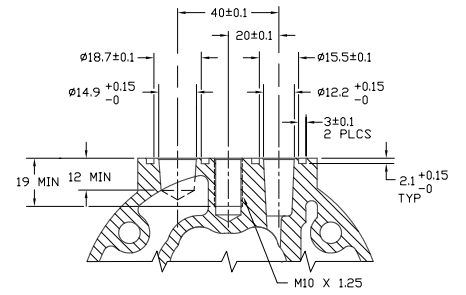
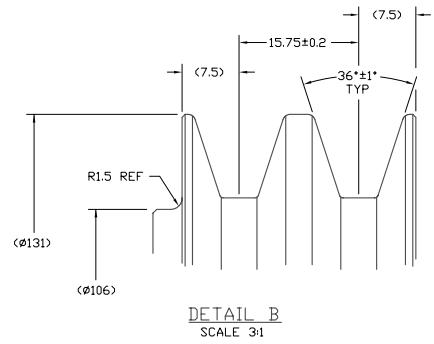
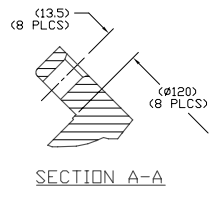
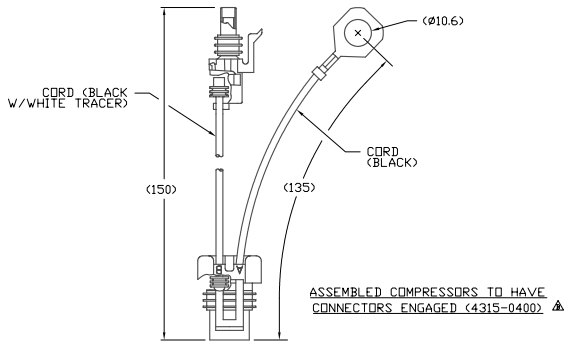


PCN	REV	APPLY DATE	REVISIONS	ENR	DSN	CHK	APPV
2005047	A	04/07/05	INITIAL ISSUE REVISION CHANGE: 4318-6000 VAS 7546-9400	5078	5078	5078	5078



COMPRESSOR SPECIFICATIONS

DISPLACEMENT PER REVOLUTION	154.9 cc / rev. (9.5cu.in. / rev.)
MAXIMUM ALLOWABLE R.P.M.	8000 R.P.M.
MAXIMUM ALLOWABLE CONTINUOUS R.P.M.	6000 R.P.M.
REFRIGERANT	R134a
OIL	RESIDUAL OIL ONLY
WEIGHT	7.4 kg (16.3 lb.)

CLUTCH SPECIFICATIONS

RATED VOLTAGE	DC 12V
BREAKAWAY TORQUE	3.5 kgf-m min. @ 12V
MINIMUM ENGAGEMENT VOLTAGE @ 20°C	7.5V max @ AIR GAP 0.6mm REF
POWER CONSUMPTION	49 watts max.
BELT TYPE	A2
MAXIMUM ALLOWABLE BELT TENSION	120 kgf (60 kgf PER BELT)
PULLEY DIAMETER	Ø131 mm (5.16 in.)
CLUTCH TYPE	HEAVY DUTY

SPECIAL CHARACTERISTICS	
SANDEN	NON-SAFETY/REGULATORY SPECIAL CHARACTERISTICS WHERE VERIFICATION IS REQUIRED, BUT ON GOING PROCESS CONTROL IS NOT REQUIRED
■ OR <C>	NON-SAFETY/REGULATORY SPECIAL CHARACTERISTICS WHICH DEMAND MANDATORY PROCESS CONTROL FOR VERIFICATION
◇ OR <R>	NON-SAFETY/REGULATORY SPECIAL CHARACTERISTICS WHICH DEMAND MANDATORY PROCESS CONTROL FOR VERIFICATION
▼ OR <S>	SAFETY/EMISSIONS/NOISE/THEFT PROTECTION

DO NOT SCALE

SANDEN
SANDEN INTERNATIONAL (U.S.A.), INC.

SCALE REF 1:1 METRIC

THIS DRAWING AND THE INFORMATION CONTAINED HEREON ARE CONFIDENTIAL AND PROPRIETARY TO SANDEN INTERNATIONAL (U.S.A.), INC. AND SHALL NOT BE USED, COPIED, OR DISCLOSED TO OTHERS WITHOUT THE WRITTEN PERMISSION OF SANDEN INTERNATIONAL (U.S.A.), INC.

INTERPRETATION OF THIS DRAWING PER ASME Y14.5M-1994

THIRD ANGLE PROJECTION

MATERIAL: -

NAME: -

COMPRESSOR

DWG. NO. 4318-6000

REV B