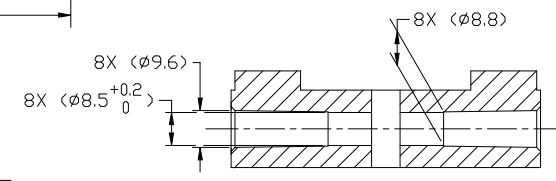
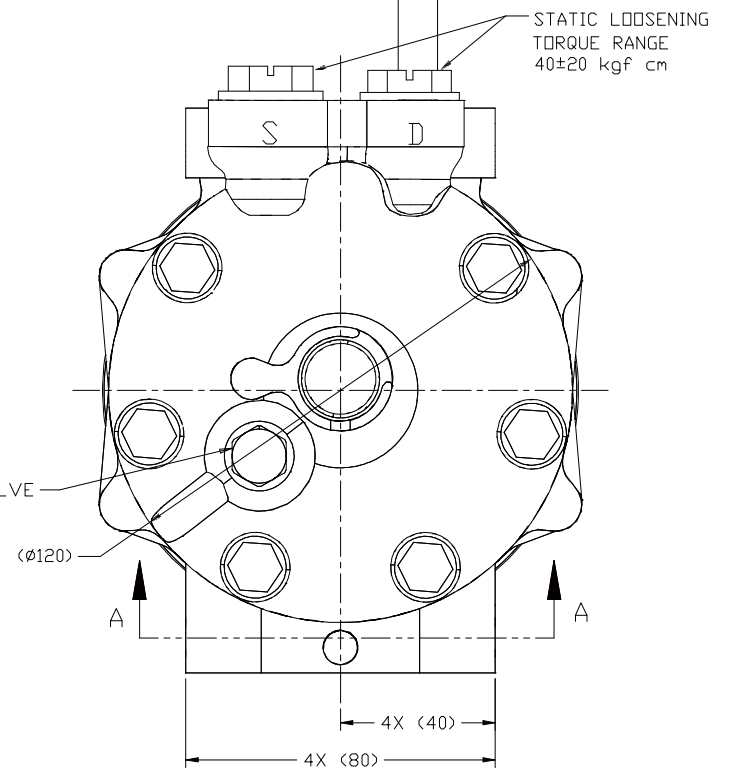
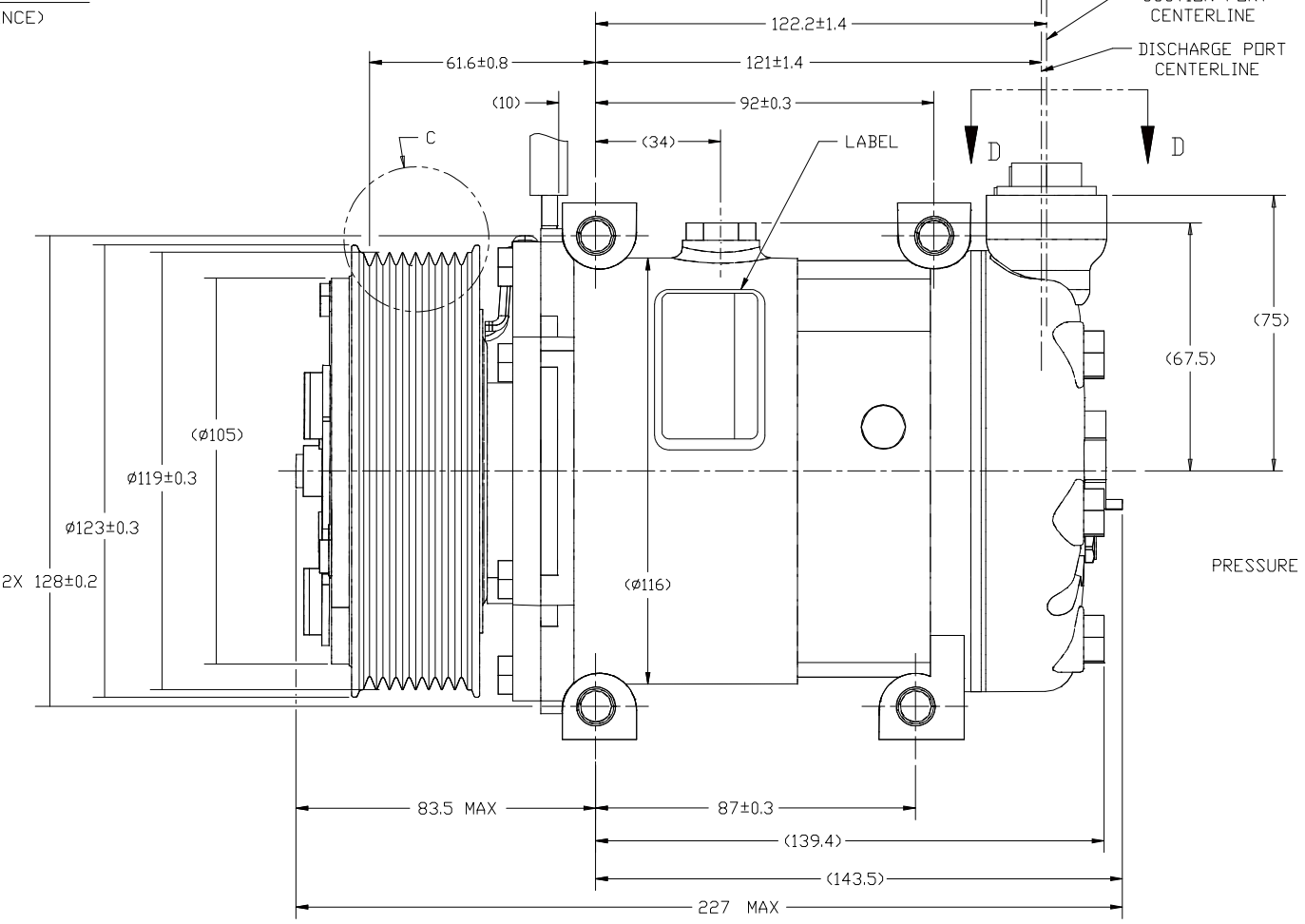
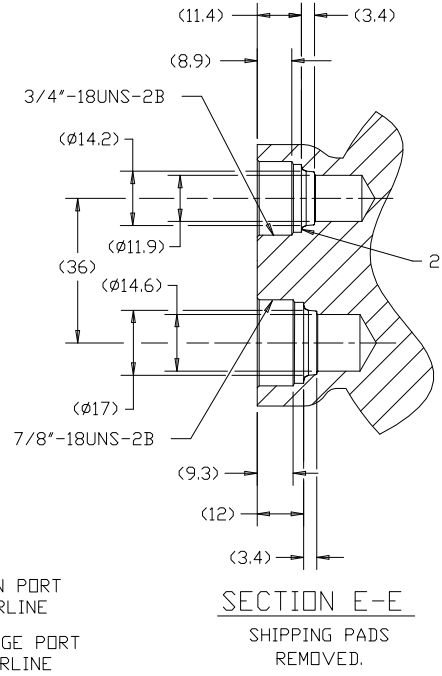
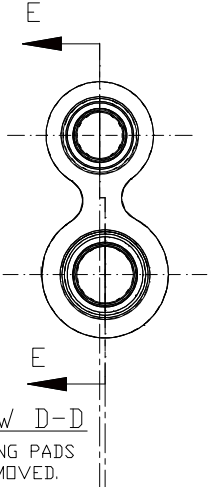
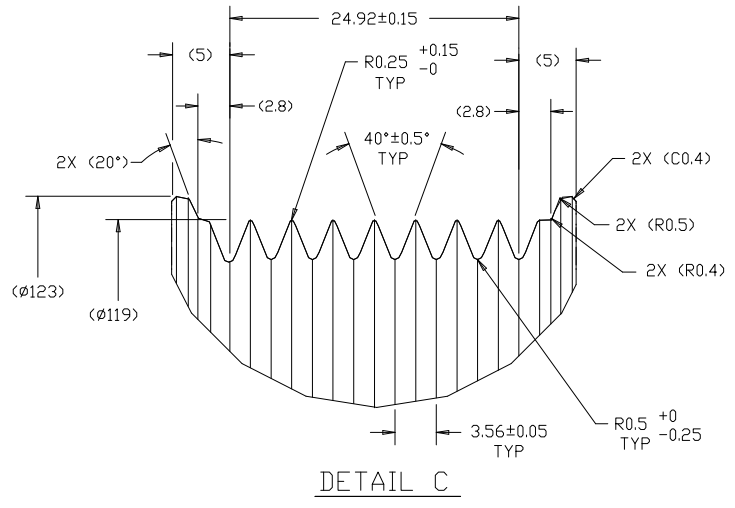
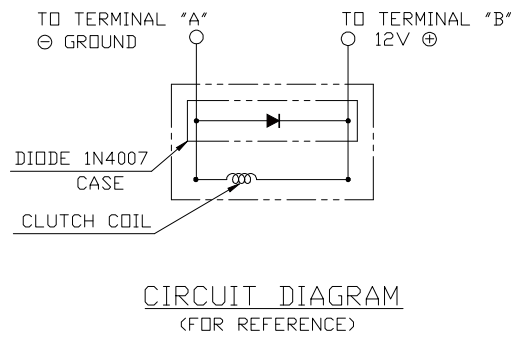
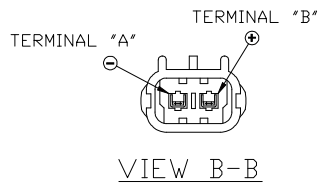
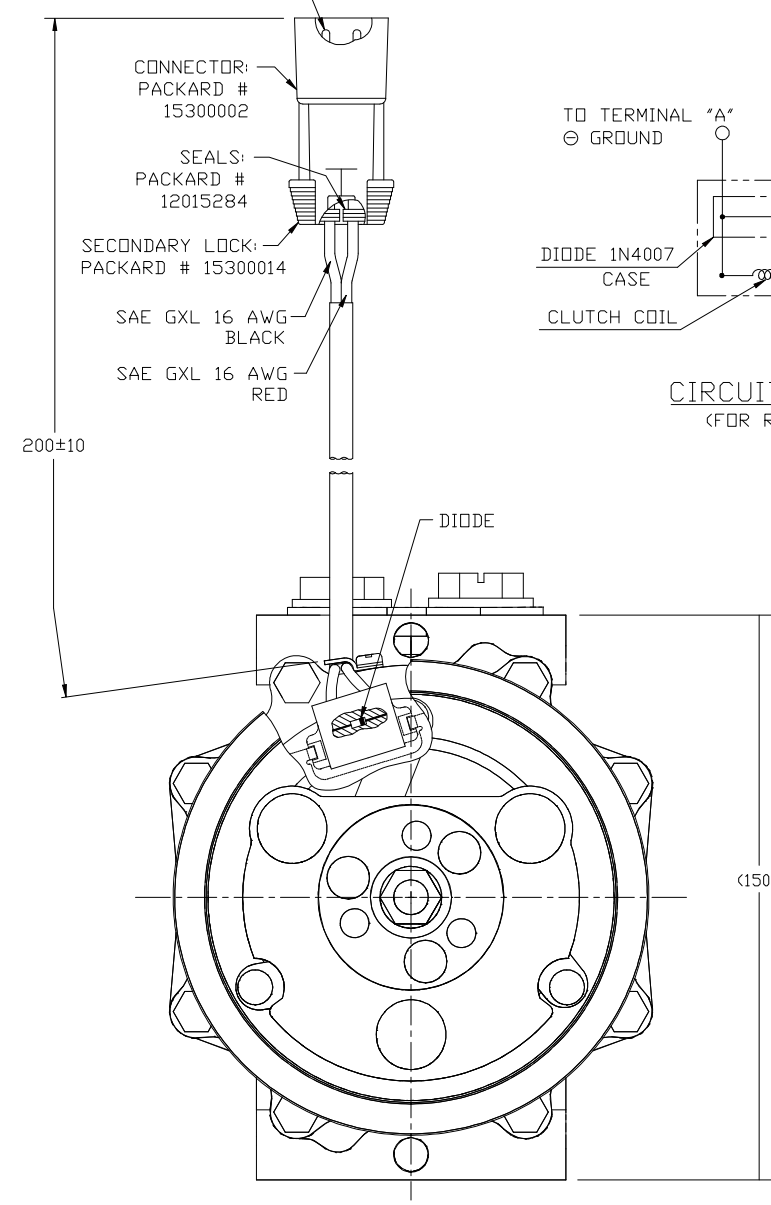
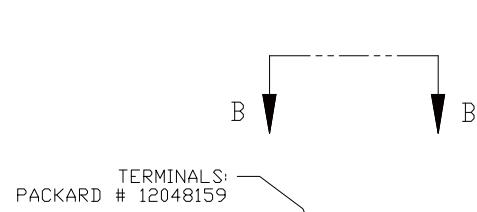


PCDN	REV.	APPV DATE	REVISIONS	DWN	DSGN	CHK	APPV
	1		INITIAL RELEASE REF: 4307-6000 REV B.				



COMPRESSOR SPECIFICATIONS (REF)

DISPLACEMENT PER REVOLUTION	154.9 cc / rev. (9.5cu.in. / rev.)
MAXIMUM ALLOWABLE R.P.M.	8000 R.P.M.
MAXIMUM ALLOWABLE CONTINUOUS R.P.M.	6000 R.P.M.
REFRIGERANT	R134a
OIL (SP-15)	300 cc (10.1 floz.)

CLUTCH SPECIFICATIONS (REF)

RATED VOLTAGE	DC 12V
BREAKAWAY TORQUE	3.5 kgf-m min. @ 12V
MINIMUM ENGAGEMENT VOLTAGE	7.5V @ AIR GAP 0.6mm REF
POWER CONSUMPTION	49 watts max.
BELT TYPE	PV8 TYPE
MAXIMUM ALLOWABLE BELT TENSION	120 kgf
PULLEY DIAMETER	Ø119 mm (4.68 in.)
CLUTCH TYPE	HEAVY DUTY

REV. LEVEL	RELEASED FOR: ENGG. DEVELOPMENT	SANDEN SANDEN INTERNATIONAL (U.S.A.), INC.
DSGN	Dennis Lee 10/14/10	
DWN	Dennis Lee 10/14/10	DRAWN SCALE REF 1:1 PLOTTED SCALE REF 1:1 METRIC
CHK	Shirley Nguyen	
APPV.	Haden Farah	This drawing and the information contained hereon are CONFIDENTIAL and PROPRIETARY to Sanden International (U.S.A.), Inc. and shall not be used, copied, or disclosed to others without the written permission of Sanden International (U.S.A.), Inc.
DATE	11-2-10	
REV. LEVEL	RELEASED FOR: DESIGN VALIDATION	INTERPRETATION OF THIS DRAWING PER ASME Y14.5M-1994
DSGN	Dennis Lee 11/2/10	
APPV.	Haden Farah	THIRD ANGLE PROJECTION
DATE	11-2-10	
REV. LEVEL	RELEASED FOR: PRODUCTION VAL'D.	MATERIAL:
DSGN	Dennis Lee 11/2/10	
APPV.	Haden Farah	NAME
DATE	11-2-10	
REV. LEVEL	RELEASED FOR: PRODUCTION	COMPRESSOR
DSGN	Dennis Lee 11/2/10	
APPV.	Haden Farah	DWG. NO. 4307U-6000
DATE	11-2-10	

DO NOT SCALE