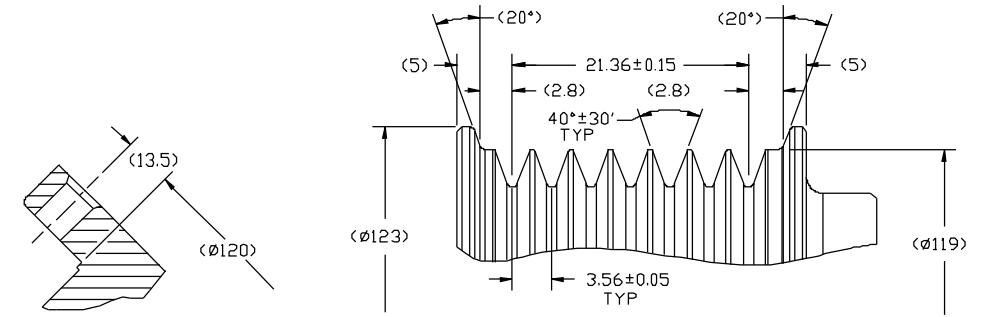
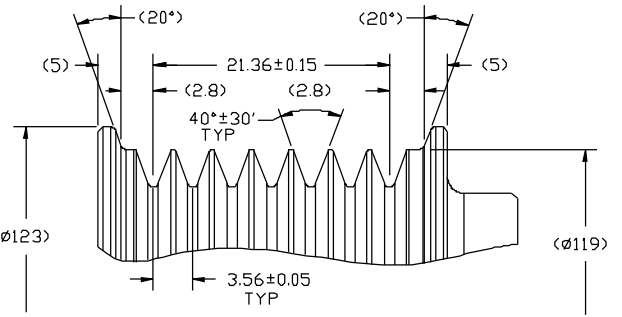


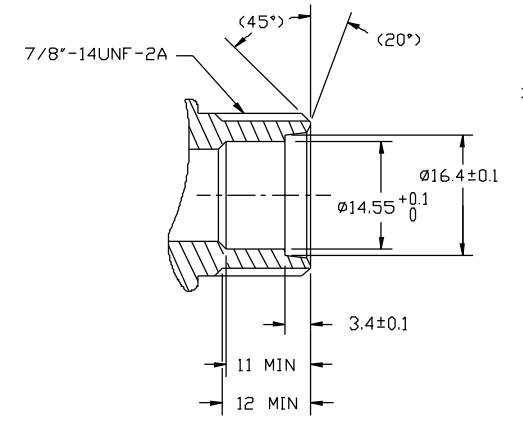
PCDN	REV	APPV DATE	REVISIONS	DWN	DSGN	CHK	APPV
	△		INITIAL RELEASE				
10109	△	02/11/13	PLACED INSIDE BAG (4860-0400) WAS LOOSE IN BOX (4860-0400)	JK	JK	DRL	RM



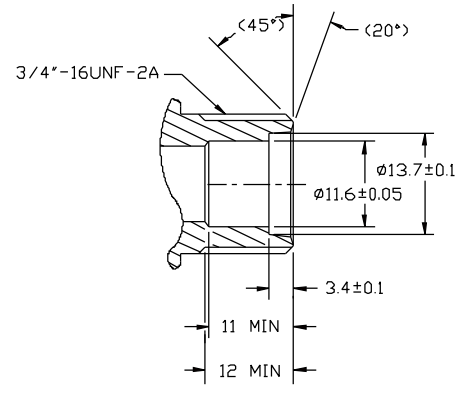
SECTION A-A



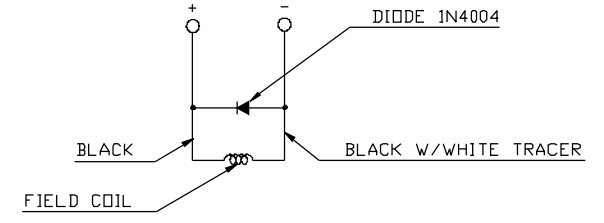
DETAIL B
SCALE: 3:1



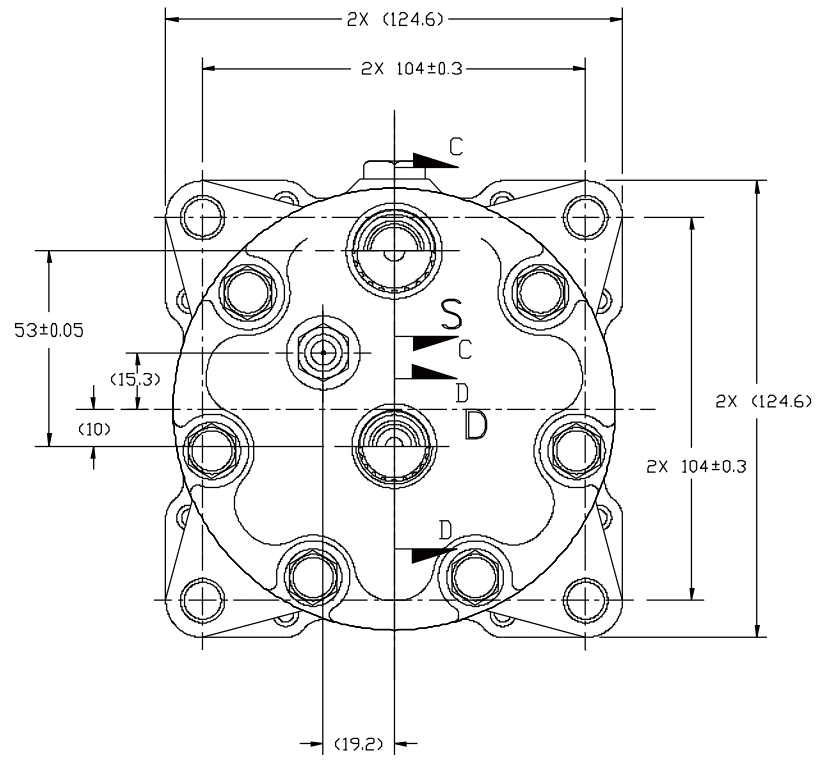
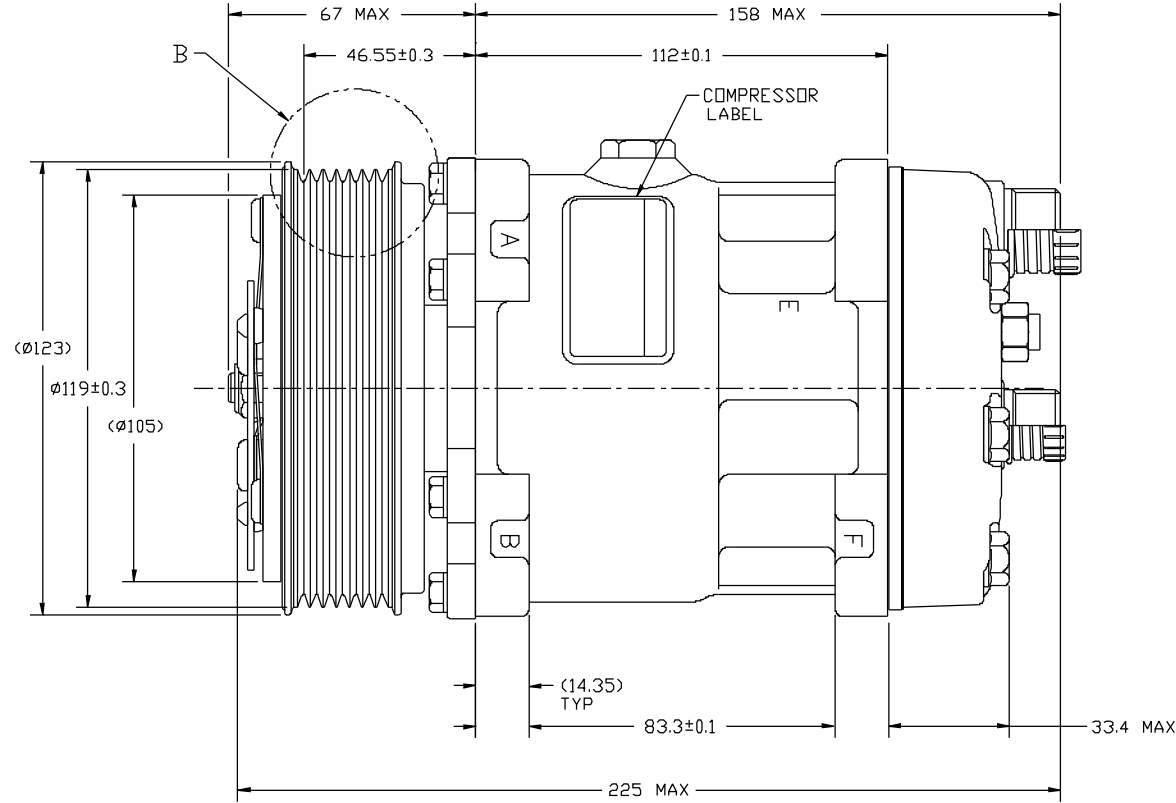
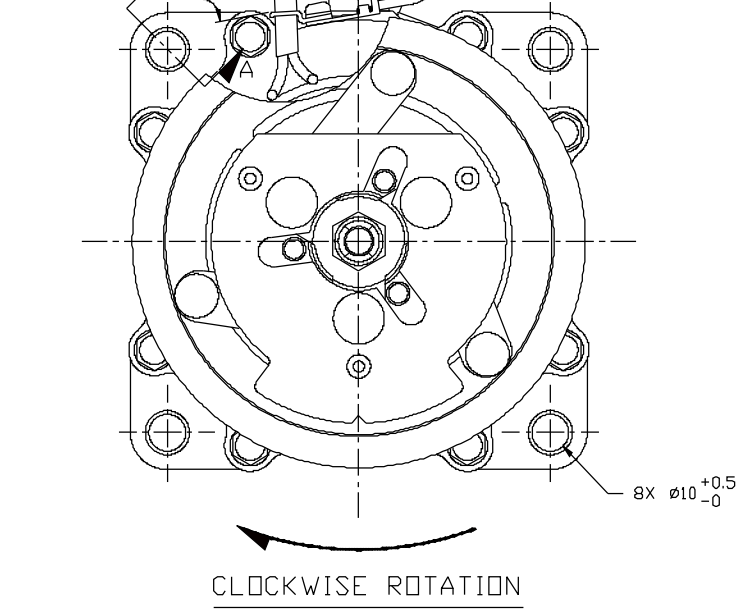
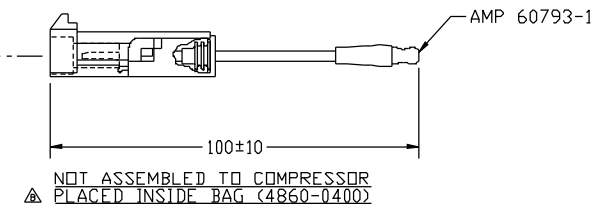
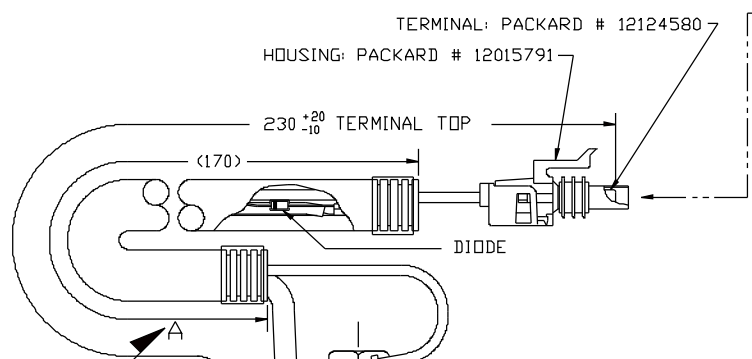
SECTION C-C
SCALE: 2:1
(SECTION SHOWN WITH SEAL CAP REMOVED)



SECTION D-D
SCALE: 2:1
(SECTION SHOWN WITH SEAL CAP REMOVED)



CIRCUIT DIAGRAM



COMPRESSOR SPECIFICATIONS (REF)

DISPLACEMENT PER REVOLUTION	154.9 cc
MAXIMUM ALLOWABLE RPM	8000 RPM
MAXIMUM ALLOWABLE CONTINUOUS RPM	6000 RPM
REFRIGERANT	R134a
OIL (SP-15)	175 cc
WEIGHT	7.6 kg

CLUTCH SPECIFICATIONS (REF)

RATED VOLTAGE	DC 12V
BREAKAWAY TORQUE	34 N-m MIN. @ 12V
MINIMUM ENGAGEMENT VOLTAGE	7.5V @ 0.6 mm AIR GAP
POWER CONSUMPTION	49 W
BELT TYPE	PV7
MAXIMUM ALLOWABLE BELT TENSION	105 kgf
PULLEY DIAMETER	Ø119
CLUTCH TYPE	HEAVY DUTY

DO NOT SCALE

REV. LEVEL	RELEASED FOR:	DATE	DESCRIPTION	MATERIAL	NAME	DWG. NO.	REV.
A	DESIGN DEVELOPMENT						
A	DESIGN VALIDATION	05/27/09					
A	PRODUCTION VAL'D.	05/27/09					
A	PRODUCTION	05/27/09					

SANDEN
SANDEN INTERNATIONAL (U.S.A.), INC.

BROWN SCALE REF: 1:1 PLOTTED SCALE REF: 1:1 METRIC

INTERPRETATION OF THIS DRAWING PER ASME Y14.5M-1994

THIRD ANGLE PROJECTION

COMPRESSOR

4294-6000