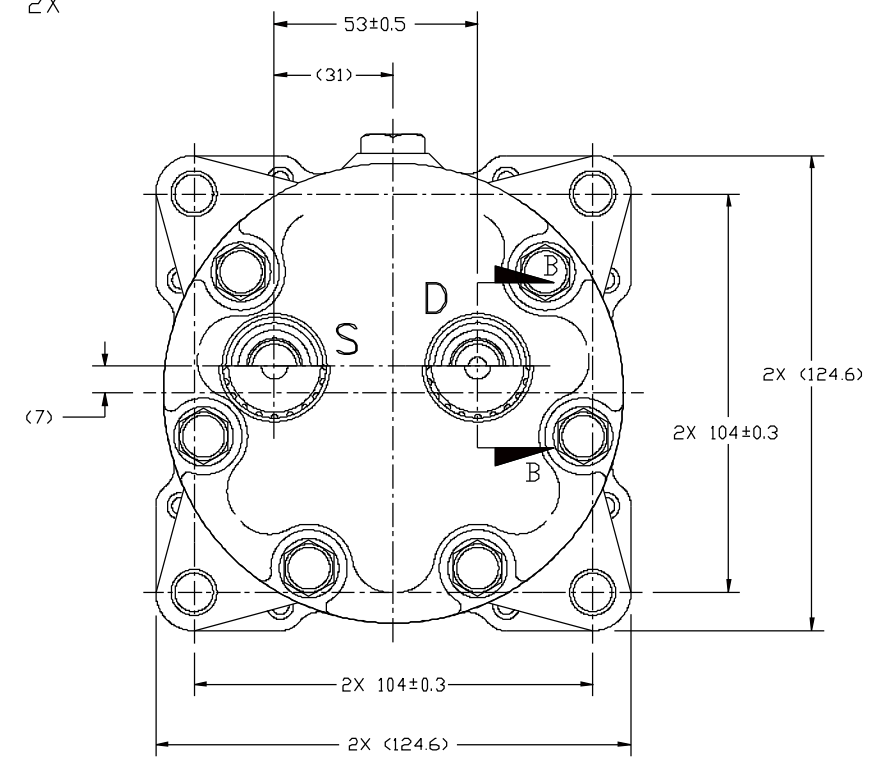
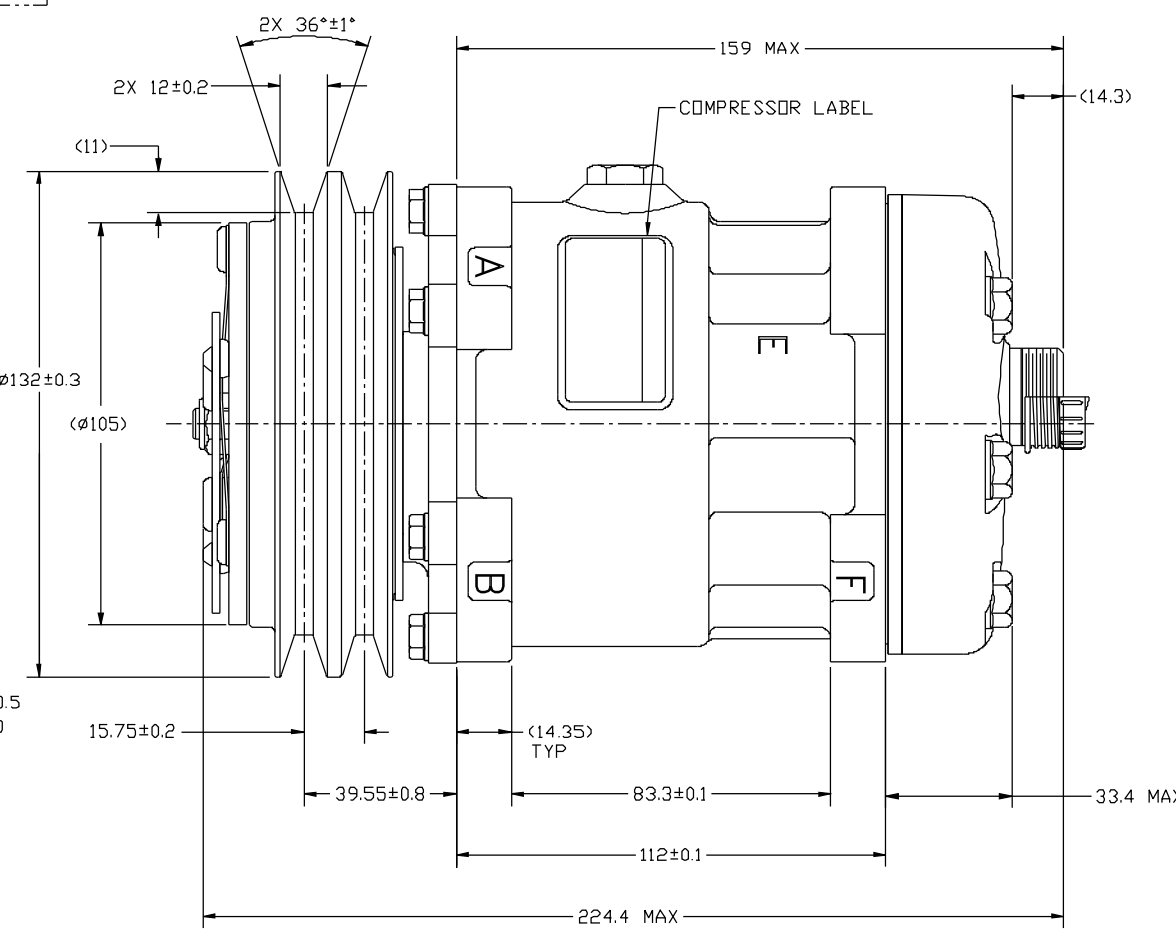
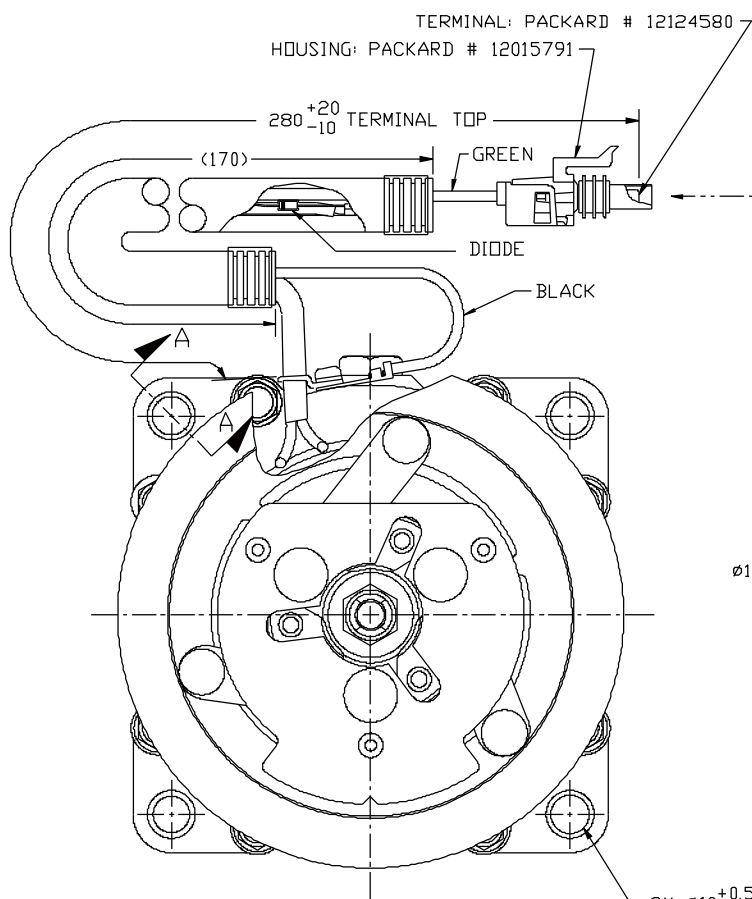
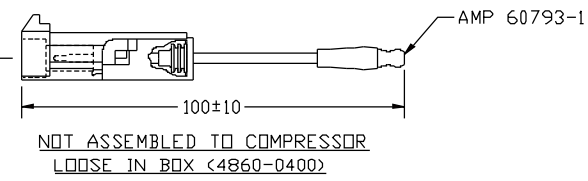
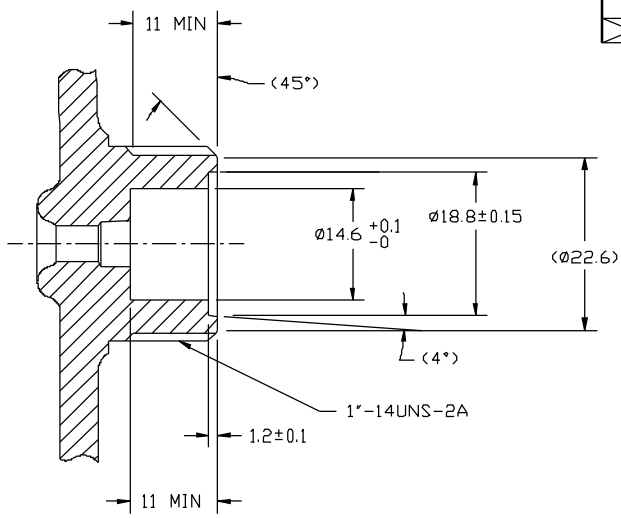
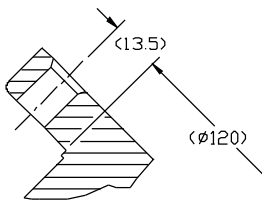
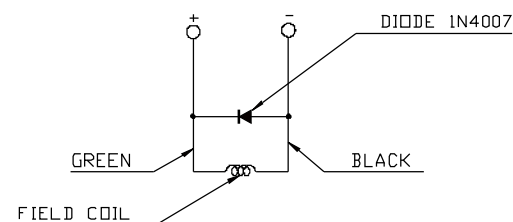


PDCN	REV.	APPV	DATE	REVISIONS	DWN	DSGN	CHK	APPV
	A			INITIAL ISSUE				



COMPRESSOR SPECIFICATIONS (REF)

DISPLACEMENT PER REVOLUTION	154.9 cc
MAXIMUM ALLOWABLE RPM	7000 RPM
MAXIMUM ALLOWABLE CONTINUOUS RPM	6000 RPM
REFRIGERANT	R134a
OIL (SP-15)	200 cc
COMPRESSOR WEIGHT	7.6 kg

CLUTCH SPECIFICATIONS (REF)

RATED VOLTAGE	DC 24V
BREAKAWAY TORQUE	34 N-m MIN @ 24V
MINIMUM ENGAGEMENT VOLTAGE	16V @ 0.6 mm AIR GAP
POWER CONSUMPTION	34 W MAX
BELT TYPE	A2
MAXIMUM ALLOWABLE BELT TENSION	60 kgf/BELT
PULLEY DIAMETER	ø132 mm
CLUTCH TYPE	HEAVY DUTY

DO NOT SCALE

REV. LEVEL	RELEASED FOR: ENDS DEVELOPMENT	<p>SANDEN INTERNATIONAL (U.S.A.), INC.</p>	This drawing and the information contained herein are CONFIDENTIAL and PROPRIETARY to Sanden International (U.S.A.), Inc. and shall not be used, copied, or disclosed to others without the written permission of Sanden International (U.S.A.), Inc.
DSGN	A. ARMENDARIZ		
CHK	A. ARMENDARIZ	DRAWN SCALE REF 1:1	PLOTTED SCALE REF 1:1
APPV	T. GORSKI	METRIC	
DATE	06/04/09	INTERPRETATION OF THIS DRAWING PER ASME Y14.5M-1994	
REV. LEVEL	RELEASED FOR: DESIGN VALIDATION	THIRD ANGLE PROJECTION	
DSGN	A. ARMENDARIZ	SIZE D	
APPV	R. MARTINEZ	MATERIAL:	
DATE	06/04/09	NAME	
REV. LEVEL	RELEASED FOR: PRODUCTION VAL'D	COMPRESSOR	
DSGN	A. ARMENDARIZ	DWG. NO. 4293-6000	
APPV	R. MARTINEZ	REV. A	
DATE	06/04/09		