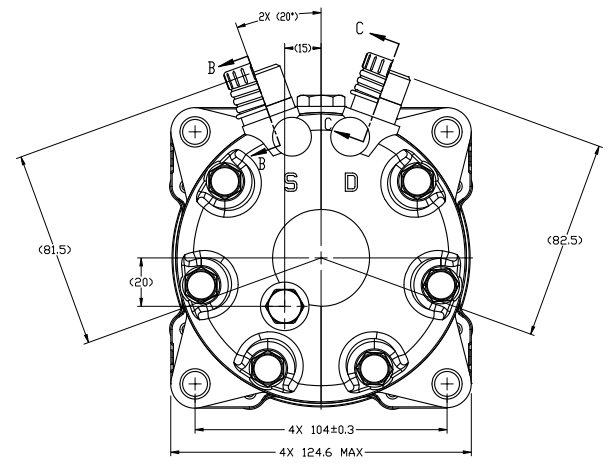
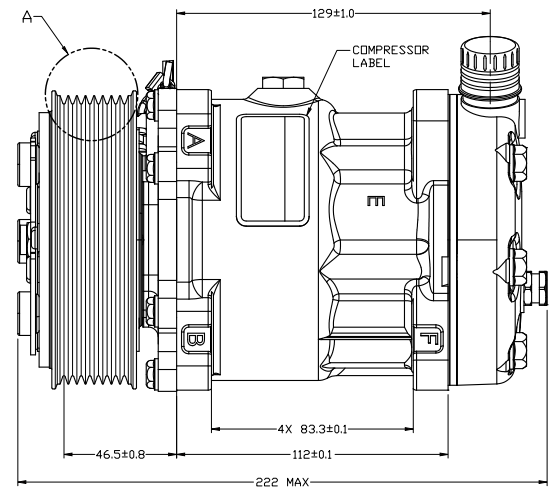
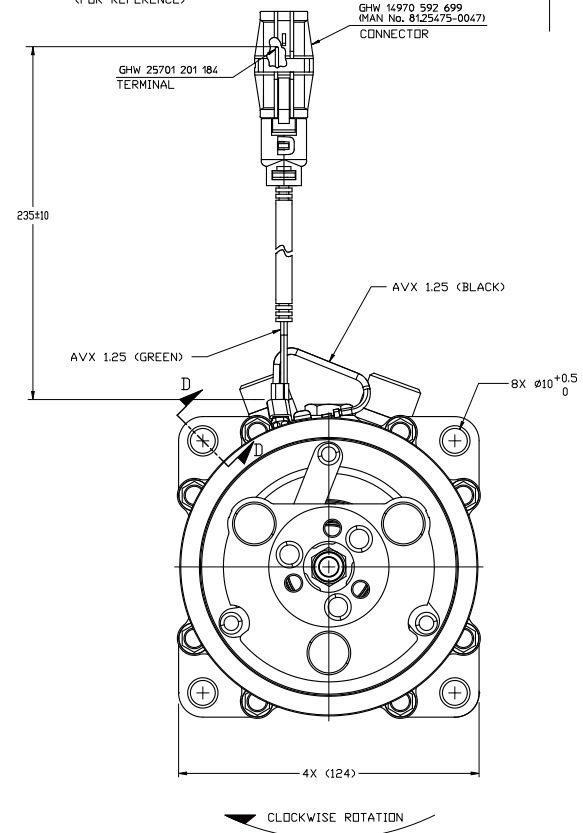
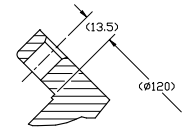
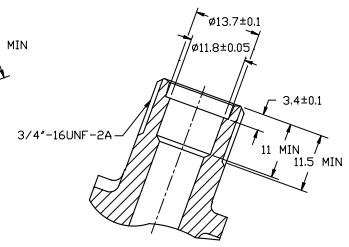
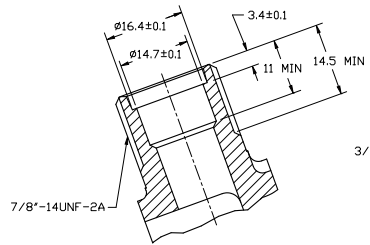
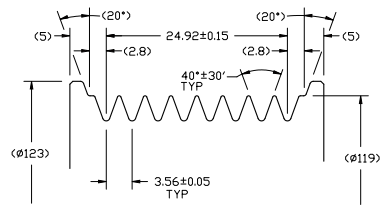
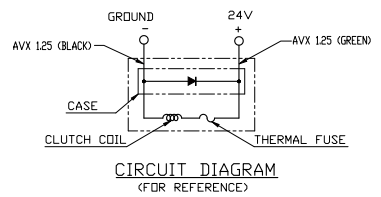


PCBN	REV	APPV	DATE	REVISIONS	IGN	DSGN	CHK	APPV
9484	Δ		3/9/92	INITIAL RELEASE				
	Δ		3/9/92	UPDATED TO CURRENT STANDARD	JS	JS	SN	HF



DISPLACEMENT PER REVOLUTION	154.9 cc / rev. (9.5cu.in. / rev.)
MAXIMUM ALLOWABLE R.P.M.	8000 R.P.M.
MAXIMUM ALLOWABLE CONTINUOUS R.P.M.	6000 R.P.M.
REFRIGERANT	R134a
OIL (SP-15)	175 cc (5.9 fl.oz.)
WEIGHT	TBD

RATED VOLTAGE	DC 24V
BREAKAWAY TORQUE	3.5 kgf·m min. @ 12V
MINIMUM ENGAGEMENT VOLTAGE	16V @ AIR GAP 0.6mm
POWER CONSUMPTION	42 watts max.
BELT TYPE	PVB TYPE
MAXIMUM ALLOWABLE BELT TENSION	120 kgf
PULLEY DIAMETER	Ø119 mm (4.69 in.)
CLUTCH TYPE	HEAVY DUTY

NOTE:
1. COMPLIES WITH EU ELV DIRECTIVE 2000/53/EC.
2. PULLEY BEARING IS EP-STEEL TYPE.

DO NOT SCALE

DRAWN FOR: A. ARENDARZ DSN: T. GORSKI APPV: R. MARTINEZ DATE: 03/04/99 LEVEL: RELEASE FOR PRODUCTION DSN: A. ARENDARZ APPV: R. MARTINEZ DATE: 03/04/99 LEVEL: RELEASE FOR PRODUCTION DSN: J. Skolowski APPV: Modern Foran DATE: 03/09/02	SANDEN SANDEN INTERNATIONAL (U.S.A.), INC. SCALE REF: 1:1 UNITS: NONE SCALE REF: NONE METRIC INTERPRETATION OF THIS DRAWING PER ASME Y14.5M-1994 THIRD ANGLE PROJECTION MATERIAL: NAME: COMPRESSOR DWG. NO: 4281-6000 REV: B
---	--