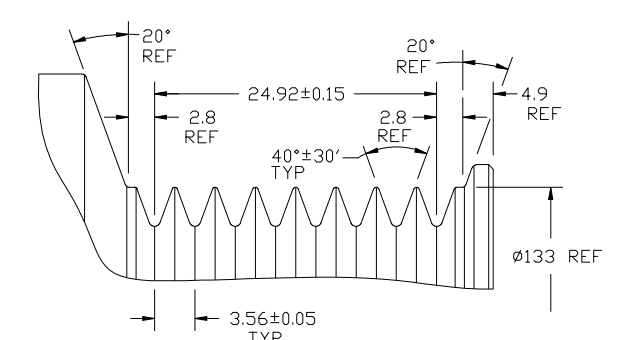
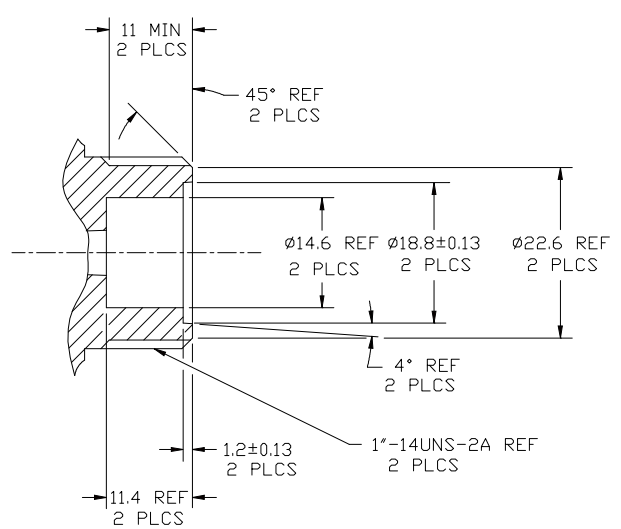


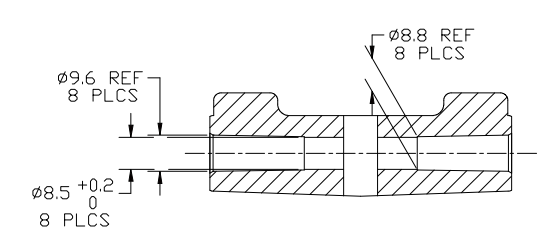
CIRCUIT DIAGRAM



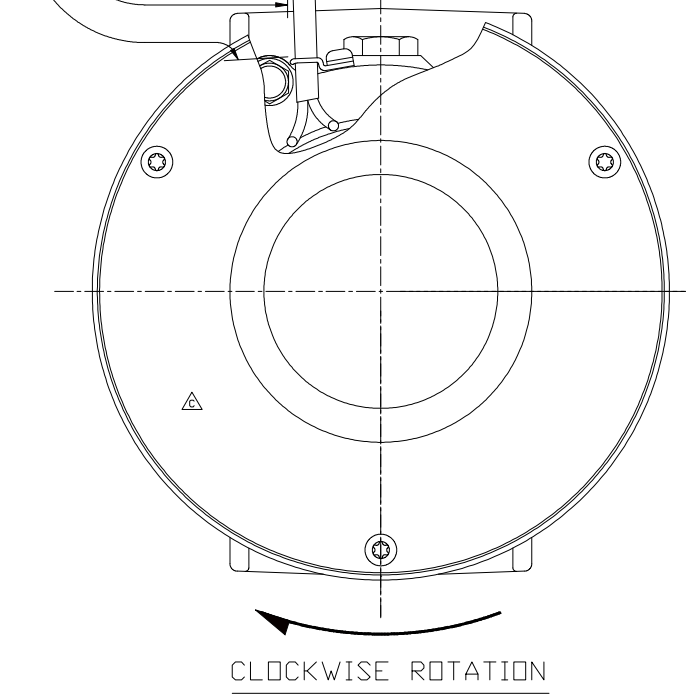
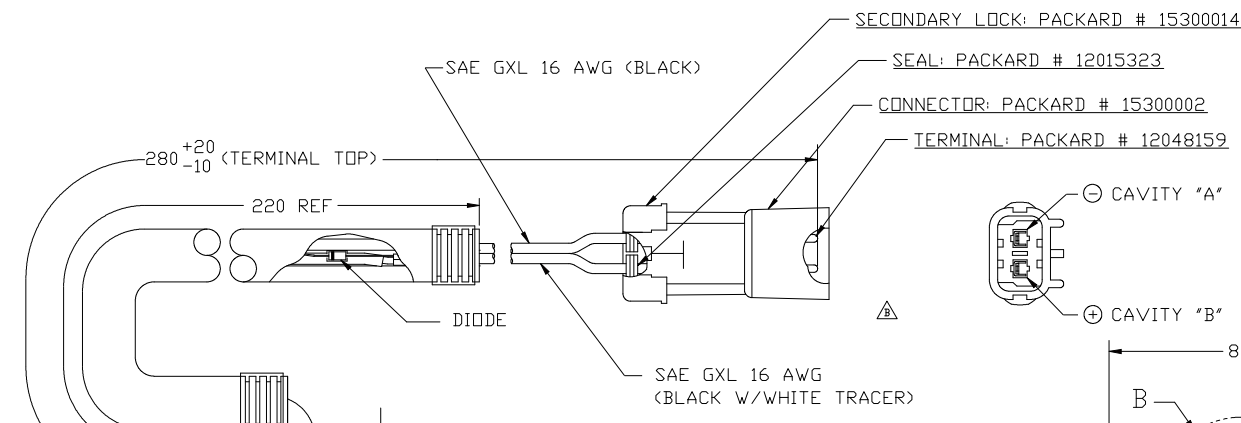
DETAIL B
SCALE: 3:1



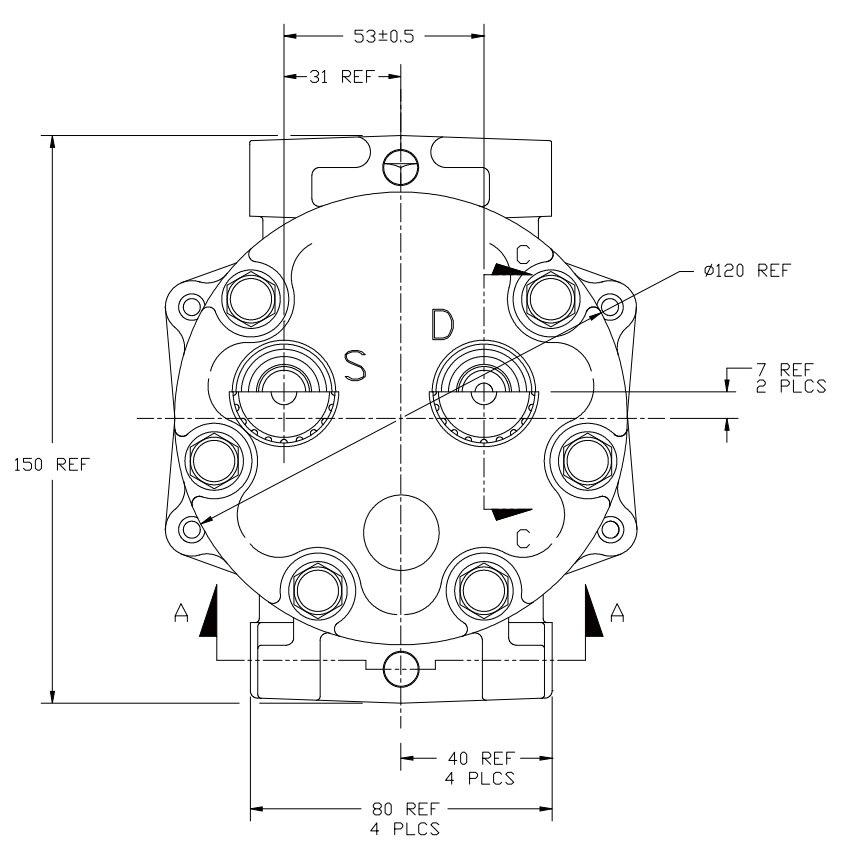
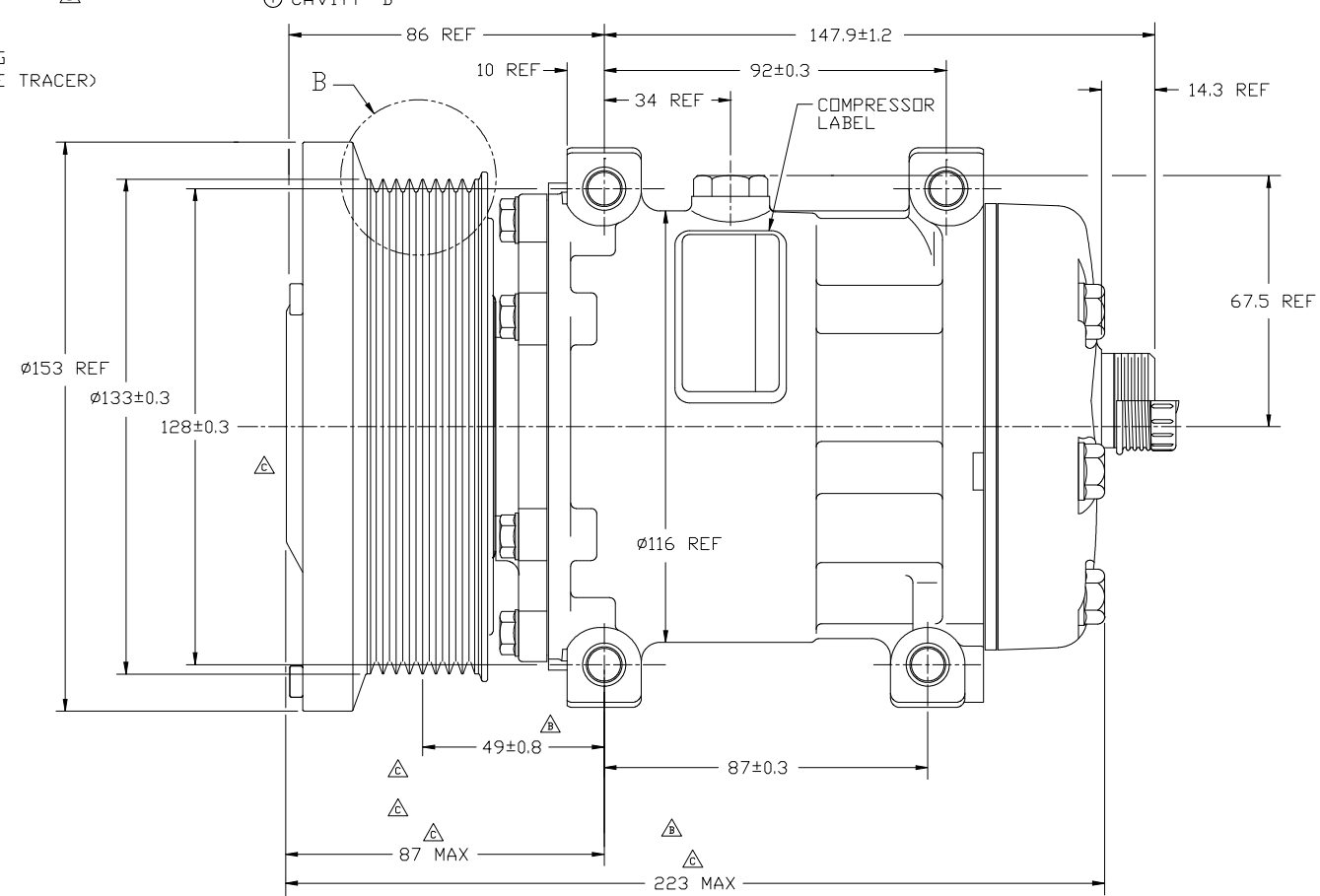
SECTION C-C
SCALE: 2:1
TYPICAL BOTH PORTS
(SECTION SHOWN WITH SEAL CAP REMOVED)



SECTION A-A



CLOCKWISE ROTATION



COMPRESSOR SPECIFICATIONS

DISPLACEMENT PER REVOLUTION	154.9 cc/rev. (9.5 cu.in./rev.)
MAXIMUM ALLOWABLE R.P.M.	4000 R.P.M.
MAXIMUM ALLOWABLE CONTINUOUS R.P.M.	4000 R.P.M.
REFRIGERANT	R134a
OIL (SP-15)	285 cc (9.6 fl. oz.)

CLUTCH SPECIFICATIONS (REF)

RATED VOLTAGE	DC 12V
BREAKAWAY TORQUE	3.5 kgf-m min. @ 12V
MINIMUM ENGAGEMENT VOLTAGE	7.5V @ AIR GAP 0.6mm
POWER CONSUMPTION	43 watts max.
BELT TYPE	PV8 TYPE
MAXIMUM ALLOWABLE BELT TENSION	120 kgf
PULLEY DIAMETER	133 mm (5.2 in.)
CLUTCH TYPE	SEALED HEAVY DUTY

REV.	DATE	BY	CHK	APPV	REVISIONS	DWN	DSGN	CHK	APPV
1					INITIAL RELEASE				
8542	05/21/09				CHANGE FIELD COIL ASSY TO 6517-6040 MODIFIED G/L AND DUST COVER DIMENSIONING LAYOUT	TG	TG	AA	RM
9131	6/25/10				ARMATURE PLATE DUST COVER 4604-2051 WAS 4640-2050. REMOVED DIM 92 MAX, 94 MAX, DIM 87 MAX WAS 97 MAX, DIM 223 MAX WAS 233 MAX.	DRL	DRL	SN	HF

REV. LEVEL	RELEASED FOR ENGR. DEVELOPMENT	DSGN	Tereso Gorski	<p>SANDEN INTERNATIONAL (U.S.A.), INC.</p>		
DWN	Tereso Gorski					
CHK	Alredo Amadoriz	DRAWN SCALE REF	1:1	PLOTTED SCALE REF	1:1	METRIC
APPV.	Rene Martinez	<small>This drawing and the information contained herein are CONFIDENTIAL and PROPRIETARY to Sanden International (U.S.A.), Inc. and shall not be used, copied, or disclosed to others without the written permission of Sanden International (U.S.A.), Inc.</small>				
REV. LEVEL	RELEASED FOR DESIGN VALIDATION	DSGN	Tereso Gorski	INTERPRETATION OF THIS DRAWING PER ASME Y14.5M-1994		
APPV.	Rene Martinez	THIRD ANGLE PROJECTION				
REV. LEVEL	RELEASED FOR PRODUCTION	DSGN	Tereso Gorski	MATERIAL:		
APPV.	Rene Martinez	NAME:				
REV. LEVEL	RELEASED FOR PRODUCTION	DSGN	Tereso Gorski	COMPRESSOR		
APPV.	Rene Martinez	DWG. NO. 4279-6000				
REV. LEVEL	RELEASED FOR PRODUCTION	DSGN	Tereso Gorski	REV. C		

DO NOT SCALE