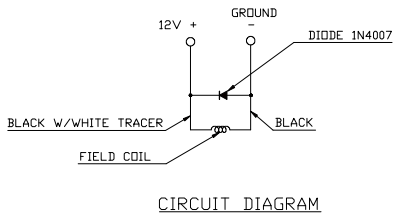
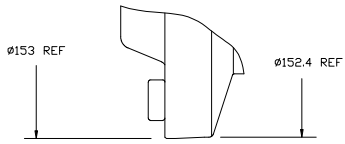


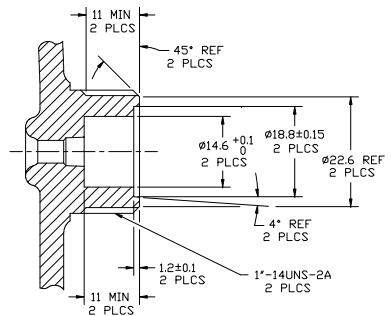
16 | 15 | 14 | 13 | 12 | 11 | 10 | 9 | 8 | 7 | 6 | 5 | 4 | 3 | 2 | 1



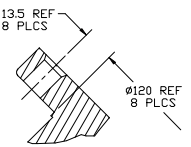
CIRCUIT DIAGRAM



DETAIL D
SCALE: 2:1

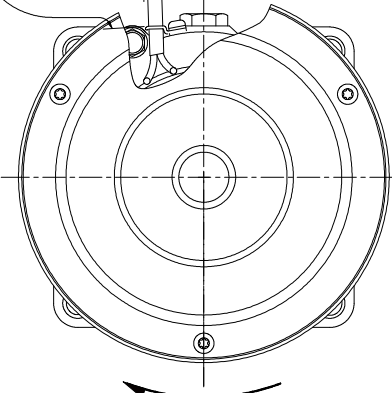
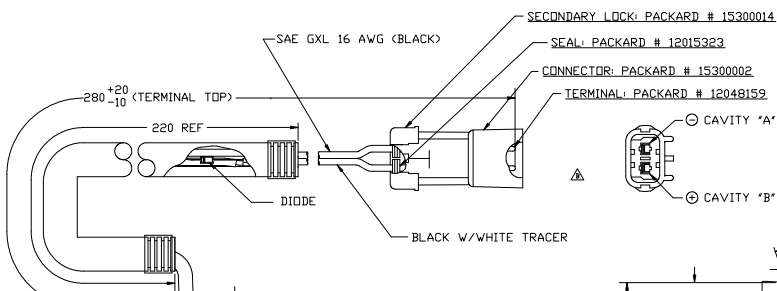


SECTION B-B
SCALE 2:1
(SECTION SHOWN WITH SEAL CAP REMOVED)

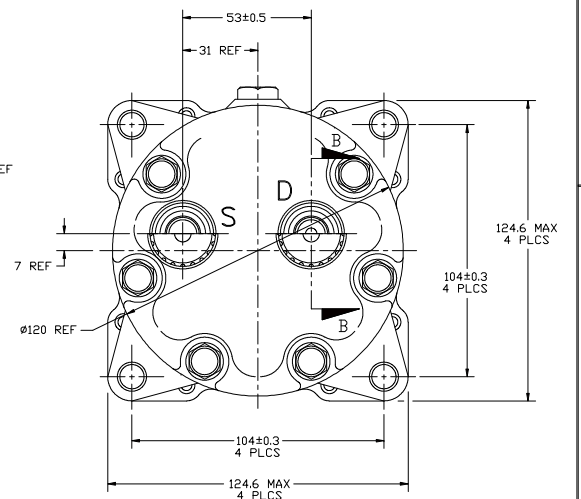
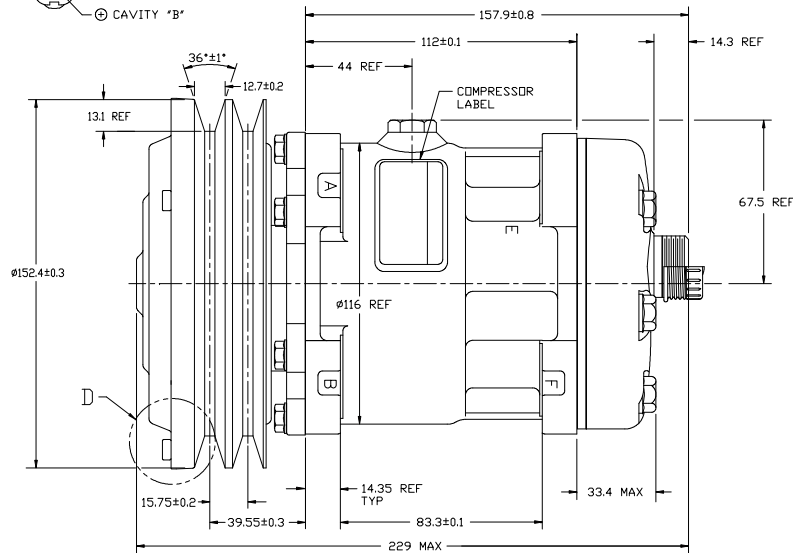


SECTION A-A

FDN	REV	APPV DATE	REVISIONS	DWN	ISSN	CHK	APPV
			INITIAL RELEASE				
8542	Δ	05/21/09	CHANGE FIELD COIL ASSY TO 6317-0040 MODIFY GFI AND DUST COVER DIMENSIONING LAYOUT	TG	TO	AA	RM



CLOCKWISE ROTATION



COMPRESSOR SPECIFICATIONS (REF)

DISPLACEMENT PER REVOLUTION	154.9 cc/rev. (9.5 cuin./rev.)
MAXIMUM ALLOWABLE R.P.M.	4000 R.P.M.
MAXIMUM ALLOWABLE CONTINUOUS R.P.M.	4000 R.P.M.
REFRIGERANT	R134a
OIL (SP-15)	285 cc (9.6 fl. oz)

CLUTCH SPECIFICATIONS (REF)

RATED VOLTAGE	DC 12V
BREAKAWAY TORQUE	3.5 kgf-m min. @ 12V
MINIMUM ENGAGEMENT VOLTAGE	7.5V @ AIR GAP 0.6mm
POWER CONSUMPTION	43 watts max.
BELT TYPE	A TYPE
MAXIMUM ALLOWABLE BELT TENSION	60 kgf PER BELT
PULLEY DIAMETER	Ø152.4 mm (6 in.)
CLUTCH TYPE	SEALED HEAVY DUTY

DO NOT SCALE

REV. LEVEL	DESIGNED FOR ENCL. DEVELOPMENT	<p>SANDEN SANDEN INTERNATIONAL, AUSTIN, TEXAS</p>
DESIGN	Teresa Gorki	
APPV. DATE	01/21/09	<p>SCALE: 1:1 PLATES: 11 METRIC</p> <p>This drawing and the information contained herein are CONFIDENTIAL and PROPRIETARY to Sanden International (U.S.A.), Inc., are reserved to CONFIDENCE and shall not be used, copied, or disclosed to others without the written permission of Sanden International (U.S.A.), Inc.</p>
DESIGN VALIDATION	DESIGN VALIDATION	<p>INTERPRETATION OF THIS DRAWING PER ASME Y14.5M-1994</p>
APPV. DATE	01/21/09	<p>THIRD ANGLE PROJECTION</p>
DESIGN VALIDATION	DESIGN VALIDATION	<p>SIZE D</p>
APPV. DATE	01/21/09	<p>NAME SD7H15MD4764 COMPRESSOR</p>
DESIGN VALIDATION	DESIGN VALIDATION	<p>DWG. NO. 4278-6000</p>
APPV. DATE	01/21/09	<p>REV. B</p>

16 | 15 | 14 | 13 | 12 | 11 | 10 | 9 | 8 | 7 | 6 | 5 | 4 | 3 | 2 | 1