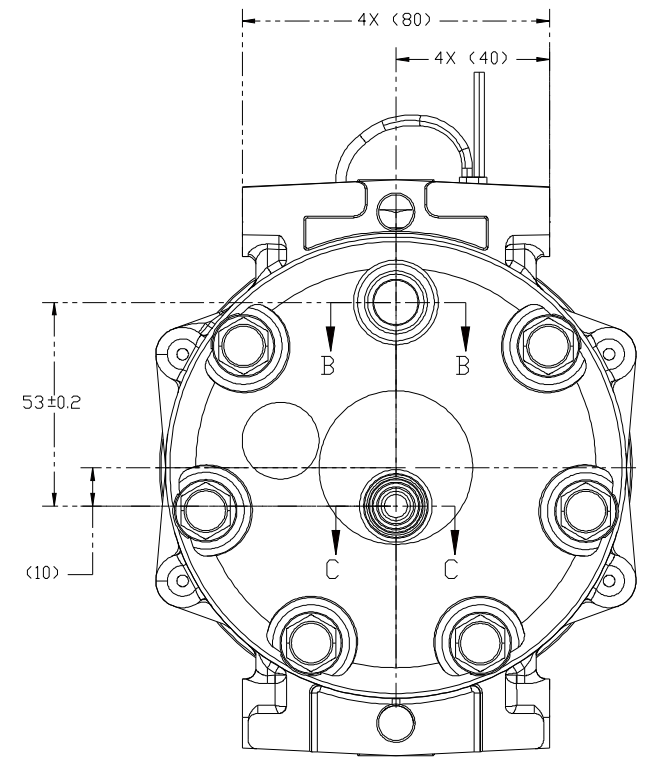
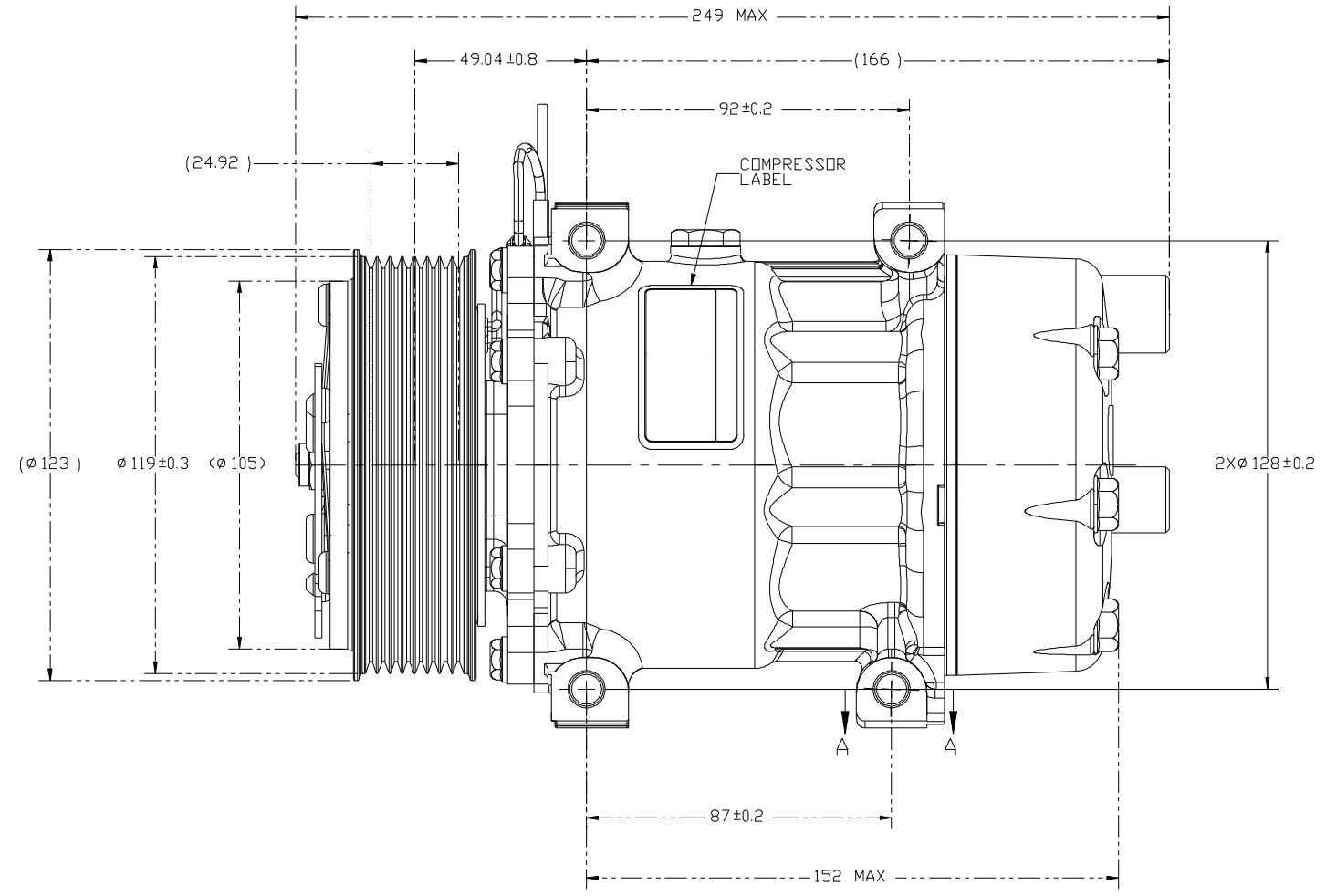
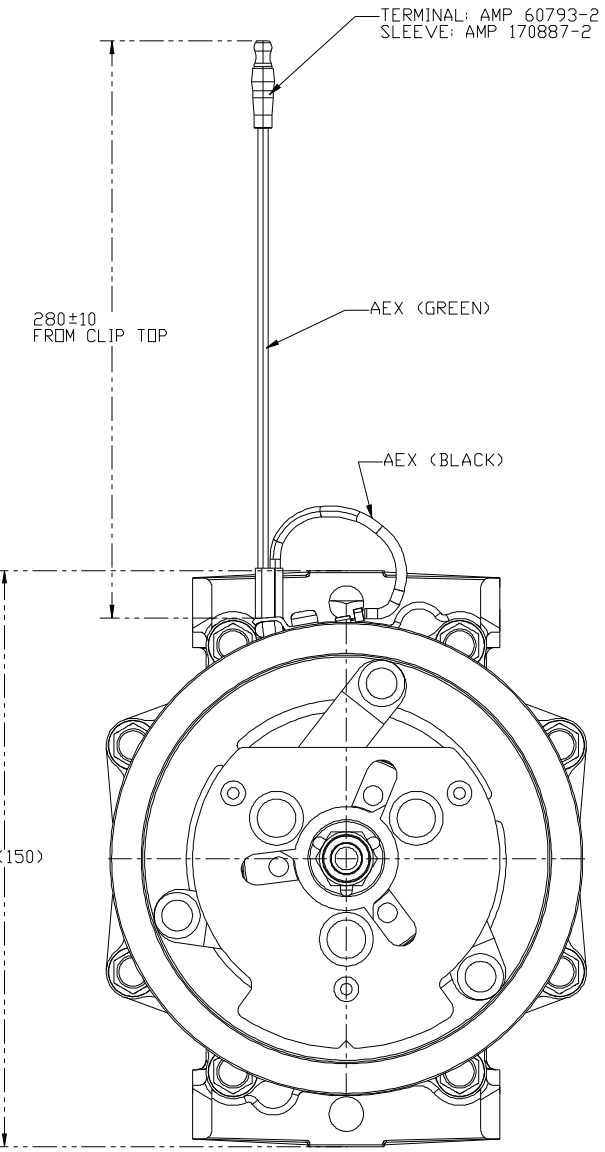
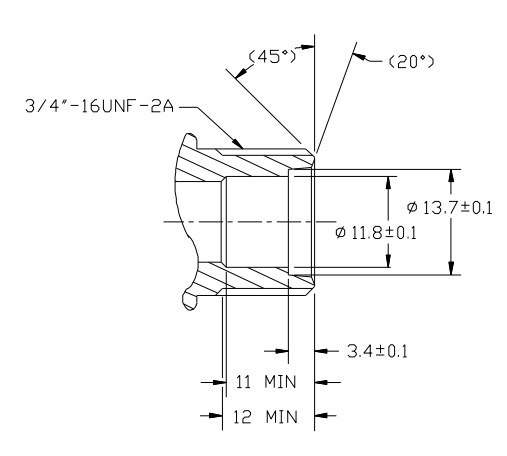
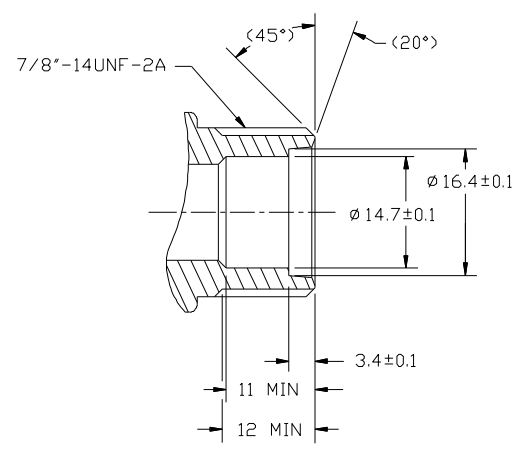
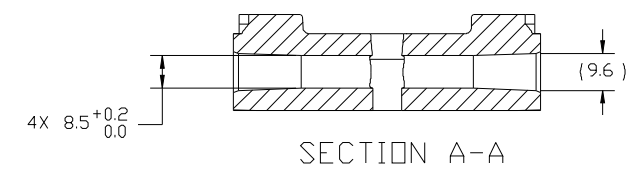


| PCDN | REV. | DATE | REVISIONS | DWN | CHK | APPV |
|------|------|------|-----------------|-----|-----|------|
| | △ | | INITIAL RELEASE | | | |



CLOCKWISE ROTATION

COMPRESSOR SPECIFICATIONS (REF)

| | |
|----------------------------------|-----------|
| DISPLACEMENT PER REVOLUTION | 154.9 cc |
| MAXIMUM ALLOWABLE RPM | 8000 RPM |
| MAXIMUM ALLOWABLE CONTINUOUS RPM | 6000 RPM |
| REFRIGERANT | R134a |
| OIL (SP-15) | 240±10 cc |
| COMPRESSOR WEIGHT | 8 kg |

CLUTCH SPECIFICATIONS (REF)

| | |
|--------------------------------|----------------------|
| RATED VOLTAGE | DC 24V |
| BREAKAWAY TORQUE | 3.5 kgf·m min. @ 24V |
| MINIMUM ENGAGEMENT VOLTAGE | 16V @ AIR GAP 0.6 mm |
| MAXIMUM POWER CONSUMPTION | 34 W |
| BELT TYPE | PV8 |
| MAXIMUM ALLOWABLE BELT TENSION | 120 kgf |
| PULLEY DIAMETER | 119 mm |
| CLUTCH TYPE | HEAVY DUTY |

DO NOT SCALE

| | |
|--|----------------------|
| | |
| SANDEN INTERNATIONAL (U.S.A.), INC. DRAWN SCALE REF 1:1 PLOTTED SCALE REF 1:1 METRIC | |
| This drawing and the information contained hereon are CONFIDENTIAL and PROPRIETARY to Sanden International (U.S.A.), Inc. and are received in CONFIDENCE and shall not be used, copied, or disclosed to others without the written permission of Sanden International (U.S.A.), Inc. | |
| INTERPRETATION OF THIS DRAWING PER ASME Y14.5M-1994 | SIZE D |
| NAME COMPRESSOR | |
| DVG. NO. 4270-6000 | REV. NO. A |