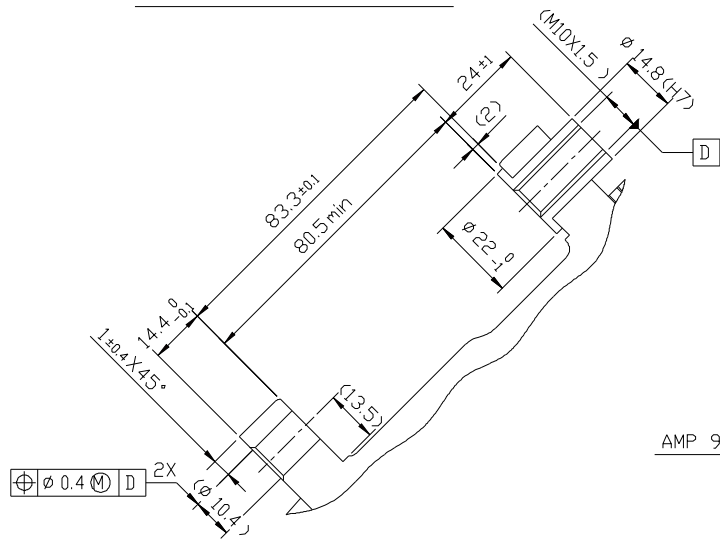
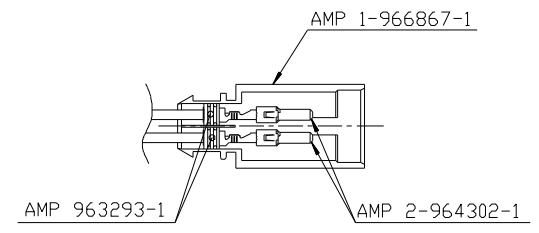


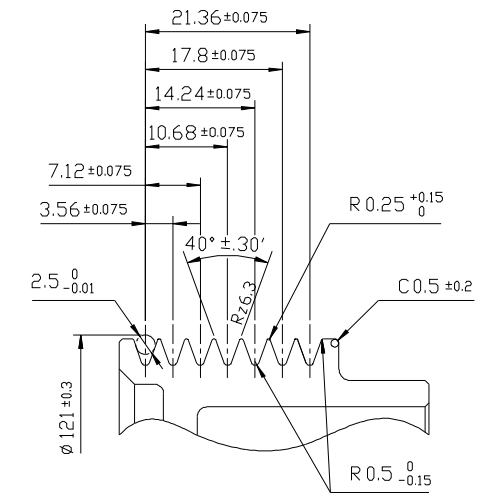
PARTIAL SECT. A-A



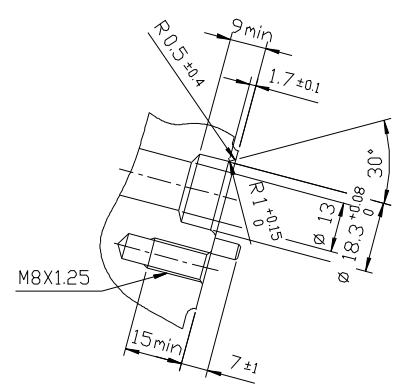
PARTIAL SECT. D-D



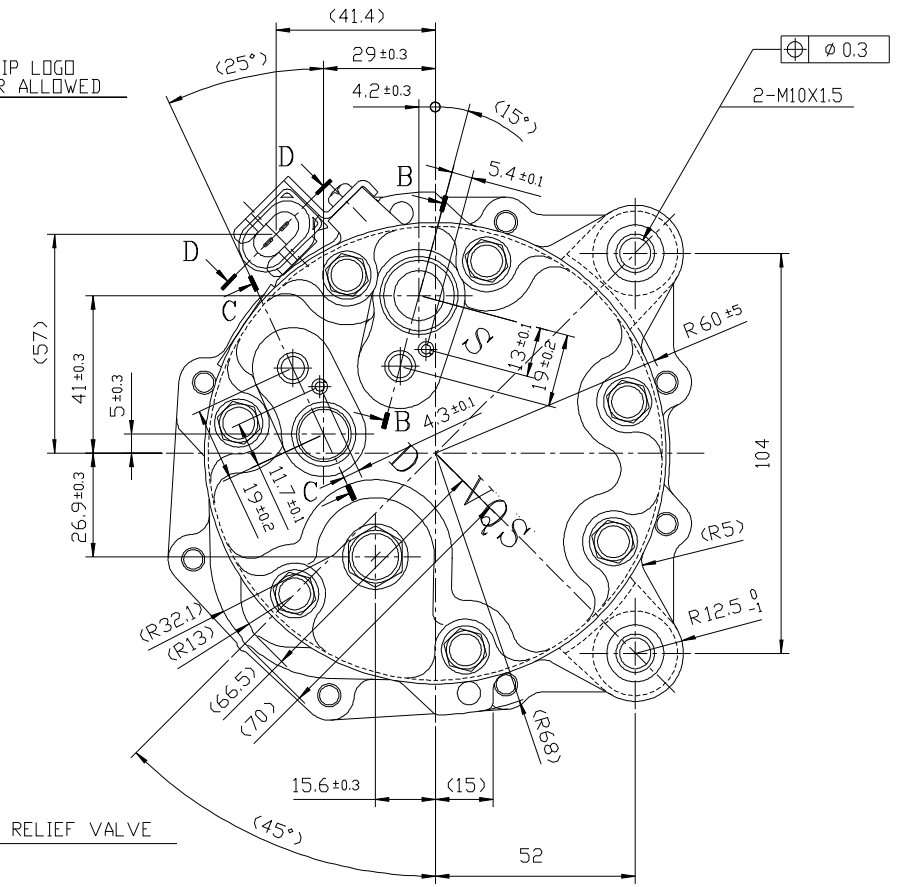
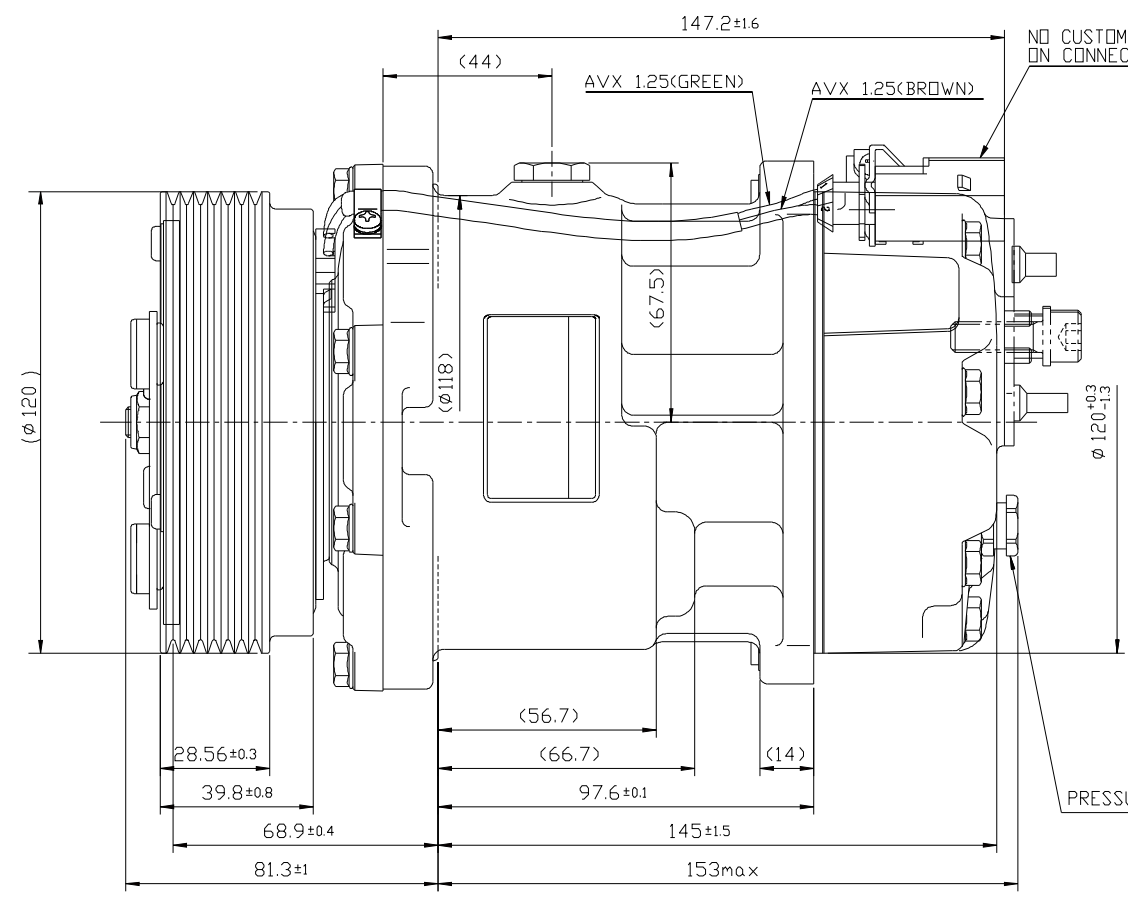
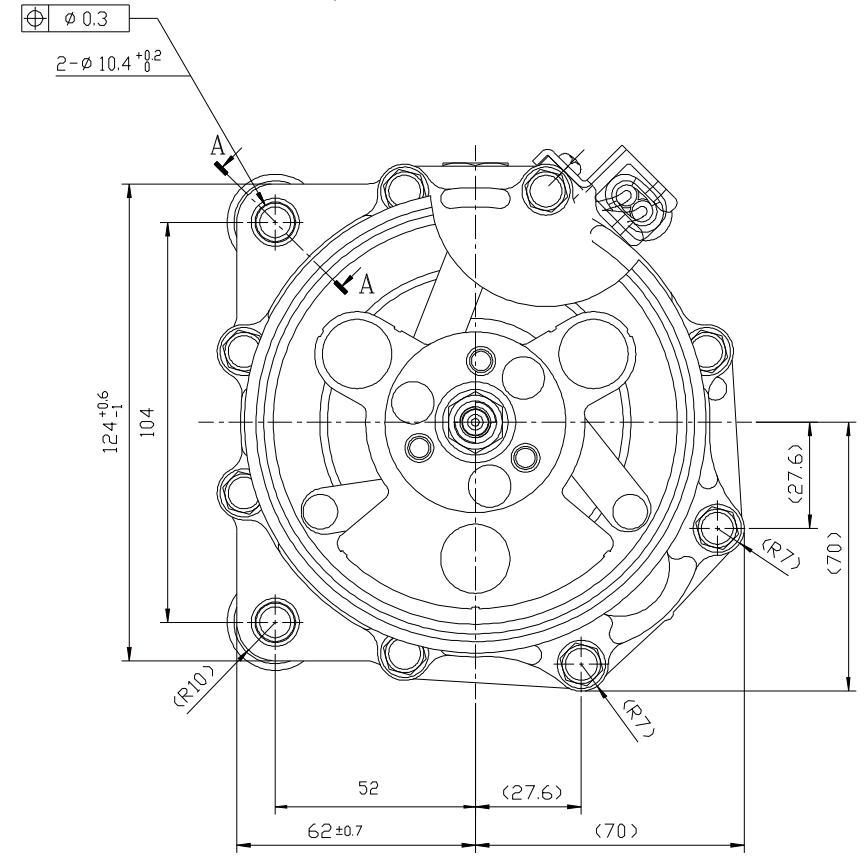
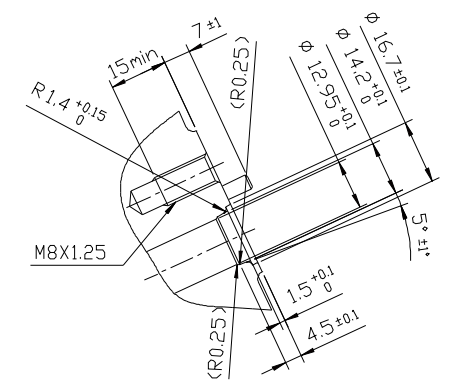
DETAIL OF GROOVE (2:1)



PARTIAL SECT. B-B



PARTIAL SECT. C-C

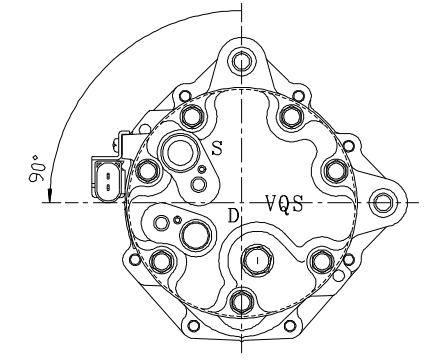


COMPRESSOR SPECIFICATIONS

Bore	Ø 29.3 mm
Stroke (Maximum)	34.2 mm
Stroke (Minimum)	1.7 mm
Displacement (Maximum)	161.3 cm ³ /rev.
Displacement (Minimum)	8.1 cm ³ /rev.
Number of Cylinder	7
Max Allowable Continuous Speed	8000 r.p.m.
Max Downshift Speed	8500 r.p.m.
Refrigerant	R-134a
Oil (SP-10 or Equivalent)	135 cm ³
Weight	4.2 kg
Rotation	CW / CCW

CLUTCH SPECIFICATIONS

Rated Voltage	DC 12 V
Breakaway Torque	42.1 Nm
Minimum Engagement Voltage	DC 7.5 V
Power Consumption	43 W
Max Allowable Continuous Speed	8000 r.p.m.
Max Downshift Speed	8500 r.p.m.
Belt Type	PV7
Pulley Diameter	Ø 120 mm
Weight	2.4 kg
Thermal Fuse Cut Off Temp.	182±5 °C



REV LEVEL	RELEASED FOR ENG DEVELOPMENT	<p>THE INFORMATION CONTAINED IN THIS DRAWING IS THE SOLE PROPERTY OF SANDEN INTERNATIONAL. ANY REPRODUCTION IN PART OR AS A WHOLE WITHOUT THE WRITTEN PERMISSION OF SANDEN INTERNATIONAL INC IS PROHIBITED.</p>	<p>INTERPRETATION OF THIS DRAWING PER ASME Y14.5M-1994</p> <p>THIRD ANGLE PROJECTION</p>	<p>SIZE D</p>
A	DESIGN A ARMENDARIZ			
DWN	A ARMENDARIZ			
CHK	S NAGARAJ	<p>MATERIAL</p>	<p>NAME</p>	<p>REV</p>
APPV	R MARTINEZ			
DATE	06/25/08			
REV LEVEL	RELEASED FOR DESIGN VALIDATION	<p>NAME</p>	<p>COMPRESSOR</p>	<p>REV</p>
A	DESIGN A ARMENDARIZ			
DWN	A ARMENDARIZ			
CHK	R MARTINEZ	<p>SIZE</p>	<p>4257-6000</p>	<p>A</p>
APPV	R MARTINEZ			
DATE	06/25/08			
REV LEVEL	RELEASED FOR PRODUCTION	<p>SIZE</p>	<p>4257-6000</p>	<p>A</p>
A	DESIGN A ARMENDARIZ			
DWN	A ARMENDARIZ			
CHK	R MARTINEZ	<p>SIZE</p>	<p>4257-6000</p>	<p>A</p>
APPV	R MARTINEZ			
DATE	02/05/09			