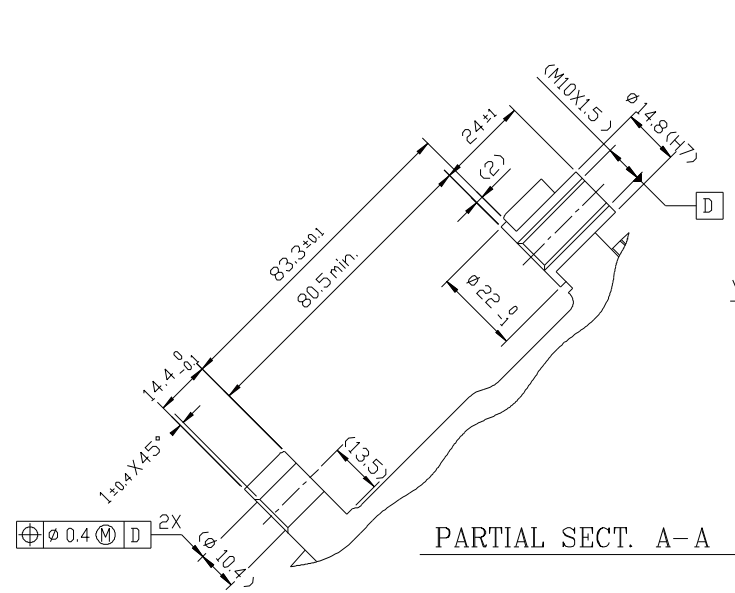
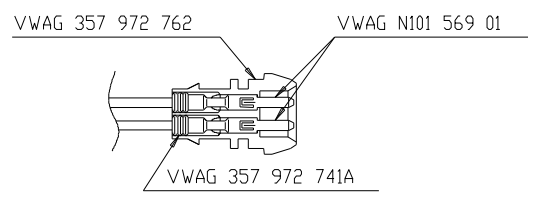


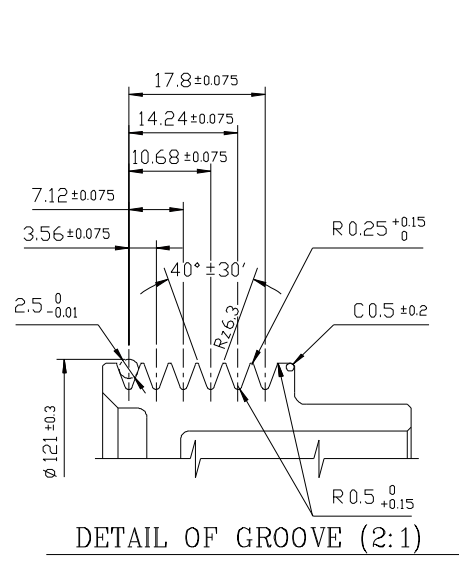
PCDN	REV	APPV	DATE	REVISIONS	DWN	DSGN	CHK	APPV
	Δ			INITIAL ISSUE				



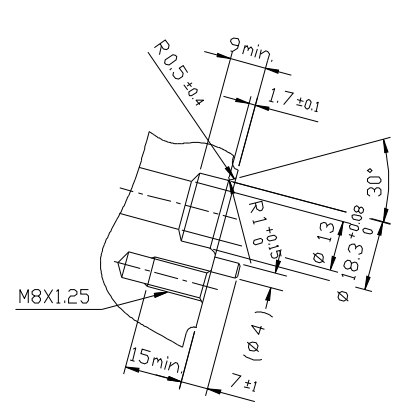
PARTIAL SECT. A-A



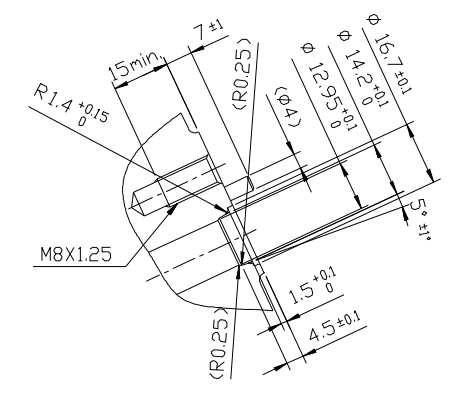
PARTIAL SECT. D-D



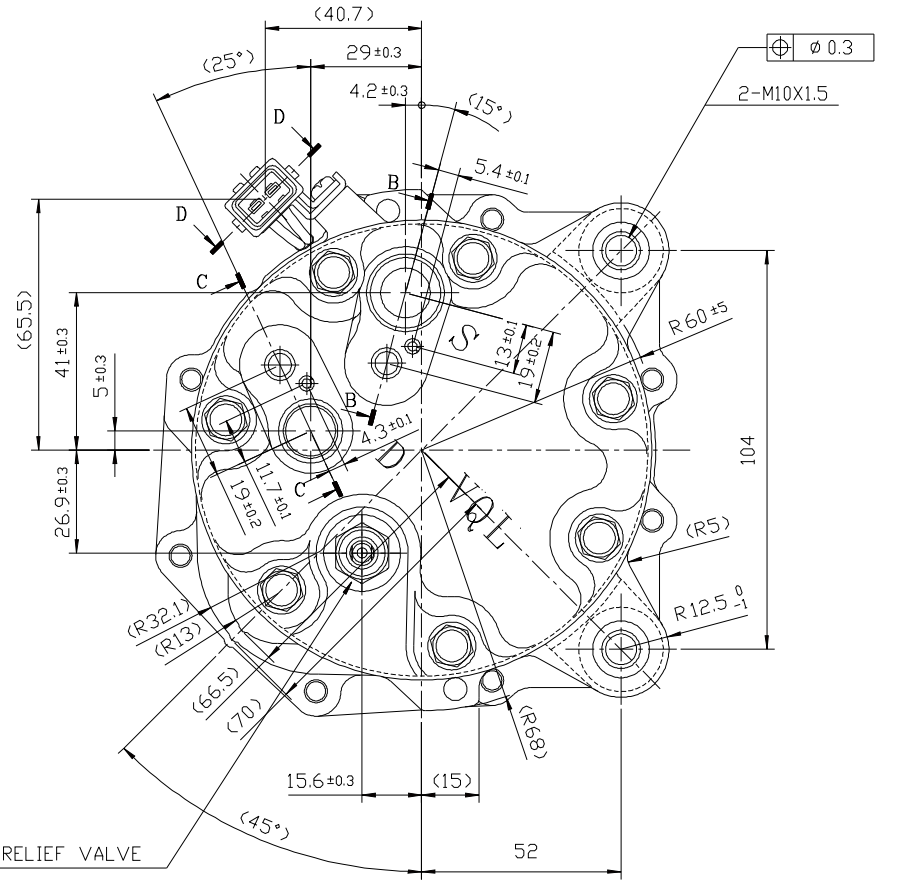
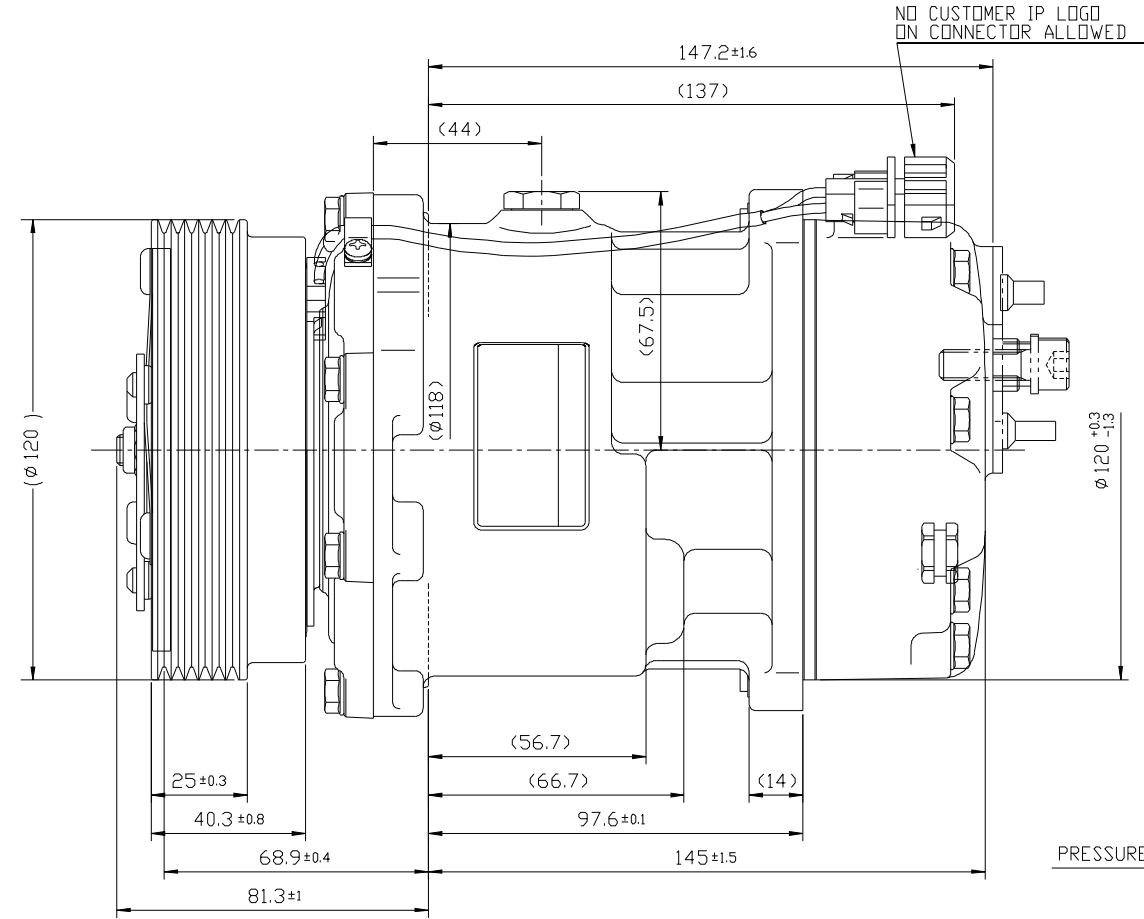
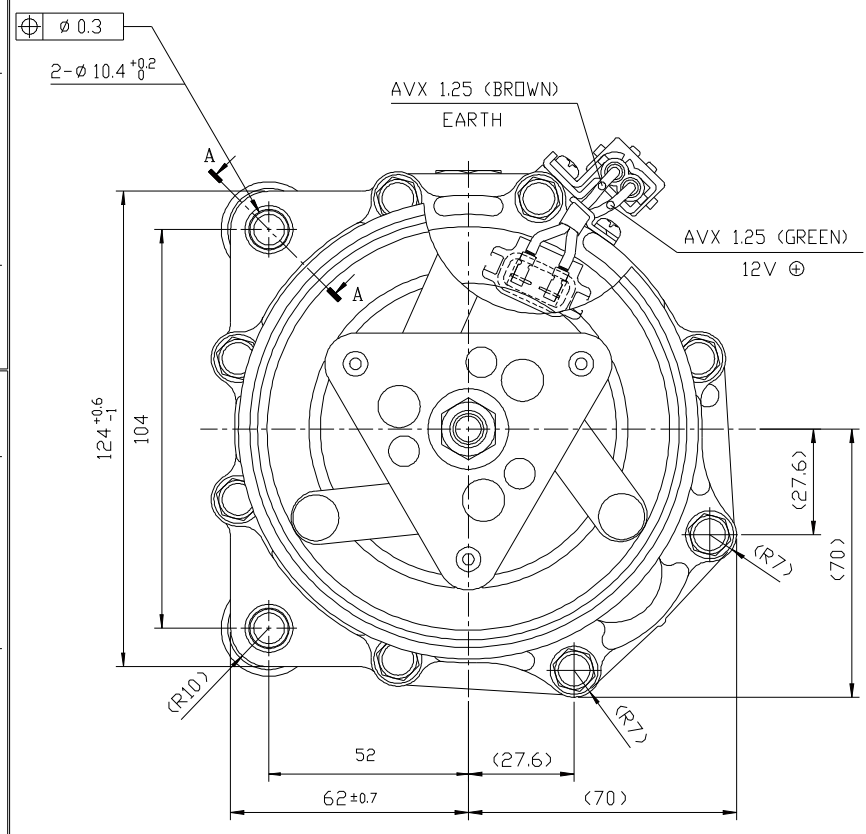
DETAIL OF GROOVE (2:1)



PARTIAL SECT. B-B



PARTIAL SECT. C-C



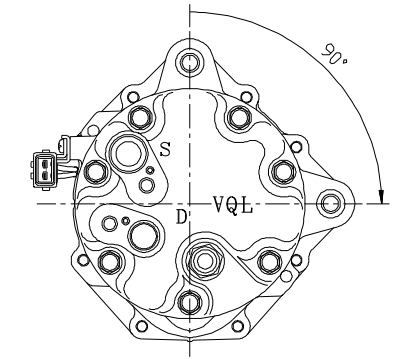
PRESSURE RELIEF VALVE

COMPRESSOR SPECIFICATIONS

Bore	Ø 29.3mm
Stroke (Maximum)	34.2 mm
Stroke (Minimum)	1.7 mm
Displacement (Maximum)	161.3 cm ³ /rev.
Displacement (Minimum)	8.1 cm ³ /rev.
Number of Cylinder	7
Max Allowable Continuous Speed	8000 r.p.m.
Max Downshift Speed	8500 r.p.m.
Refrigerant	R-134a
Oil (SP-10 or Equivalent)	135 cm ³
Weight	(4.2) kg
Rotation	CW / CCW

CLUTCH SPECIFICATIONS

Rated Voltage	DC 12 V
Breakaway Torque	42.1 Nm
Minimum Engagement Voltage	DC 7.5 V
Power Consumption	43 W
Max Allowable Continuous Speed	8000 r.p.m.
Max Downshift Speed	8500 r.p.m.
Belt Type	PV6
Pulley Diameter	Ø 120 mm
Weight	(2.3) kg
Thermal Fuse Cut Off Temp.	182 ±5 °C



COMPRESSOR MOUNTING ANGLE (1:2)

REV. LEVEL	RELEASED FOR ENG. DEVELOPMENT	<p>METRIC DIMENSIONS SHOWN IN MILLIMETERS UNLESS OTHERWISE SPECIFIED.</p>	<p>THE INFORMATION CONTAINED IN THIS DRAWING IS THE SOLE PROPERTY OF SANDEN INTERNATIONAL. ANY REPRODUCTION IN PART OR AS A WHOLE WITHOUT THE WRITTEN PERMISSION OF SANDEN INTERNATIONAL INC IS PROHIBITED.</p>
A	<p>DESIGN: A. ARMENDARIZ</p> <p>DWN: A. ARMENDARIZ</p> <p>CHK: S. NAGARA-J</p> <p>APPV: R. MARTINEZ</p> <p>DATE: 06/25/08</p>		
REV. LEVEL	RELEASED FOR DESIGN VALIDATION	<p>INTERPRETATION OF THIS DRAWING PER ASME Y14.5M-1994</p>	<p>THIRD ANGLE PROJECTION</p>
A	<p>DESIGN: A. ARMENDARIZ</p> <p>APPV: R. MARTINEZ</p> <p>DATE: 06/25/08</p>		
REV. LEVEL	RELEASED FOR PROD. VALIDATION	MATERIAL	
A	<p>DESIGN: A. ARMENDARIZ</p> <p>APPV: R. MARTINEZ</p> <p>DATE: 06/25/08</p>		
REV. LEVEL	RELEASED FOR PRODUCTION	NAME	
A	<p>DESIGN: A. ARMENDARIZ</p> <p>APPV: R. MARTINEZ</p> <p>DATE: 02/05/09</p>	<p>COMPRESSOR</p>	<p>DWG NO: 4254-6000</p>
			REV: A