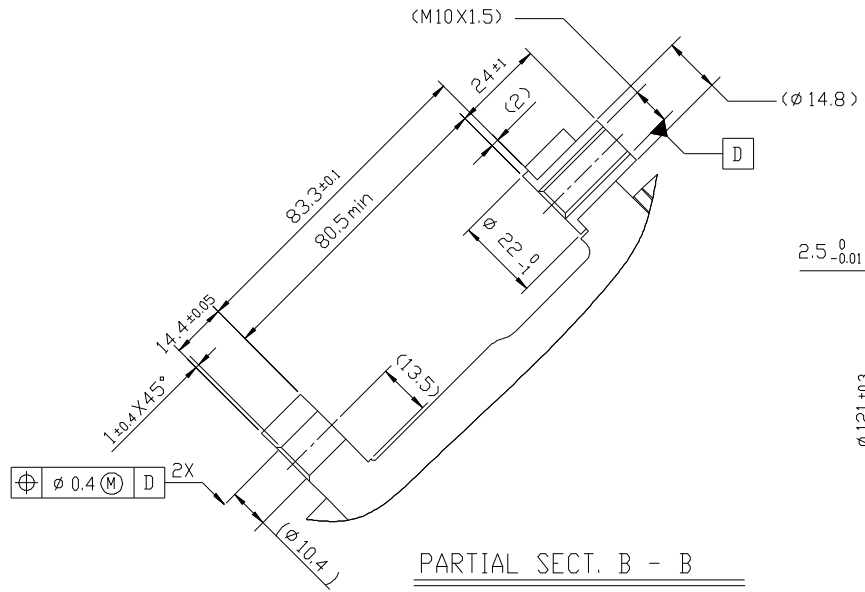
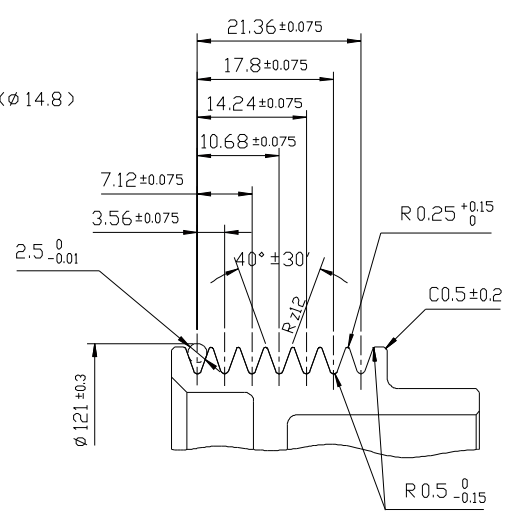


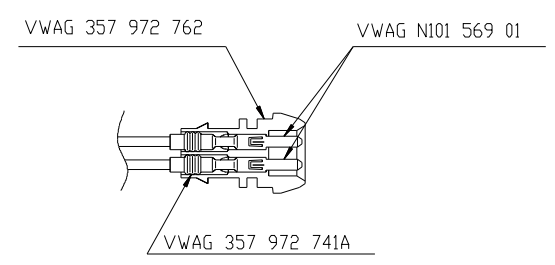
PCDN	REV	APPV	DATE	REVISIONS	DWN	DSGN	CHK	APPV
				INITIAL ISSUE				



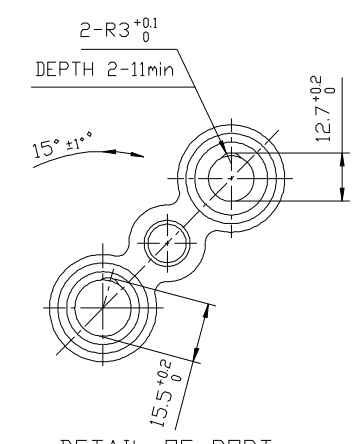
PARTIAL SECT. B - B



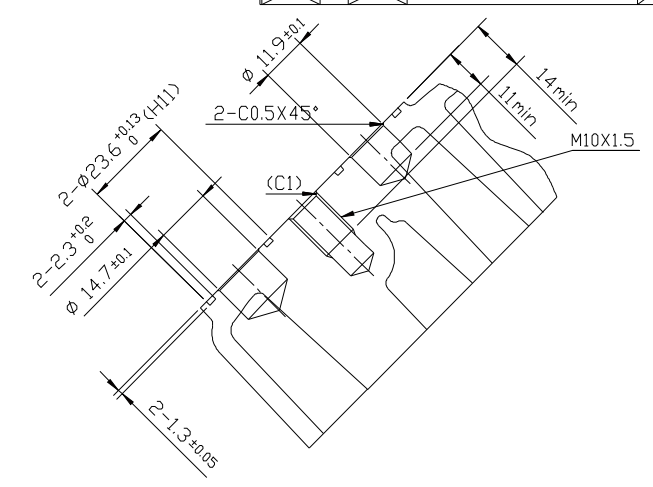
DETAIL OF GROOVE (2:1)



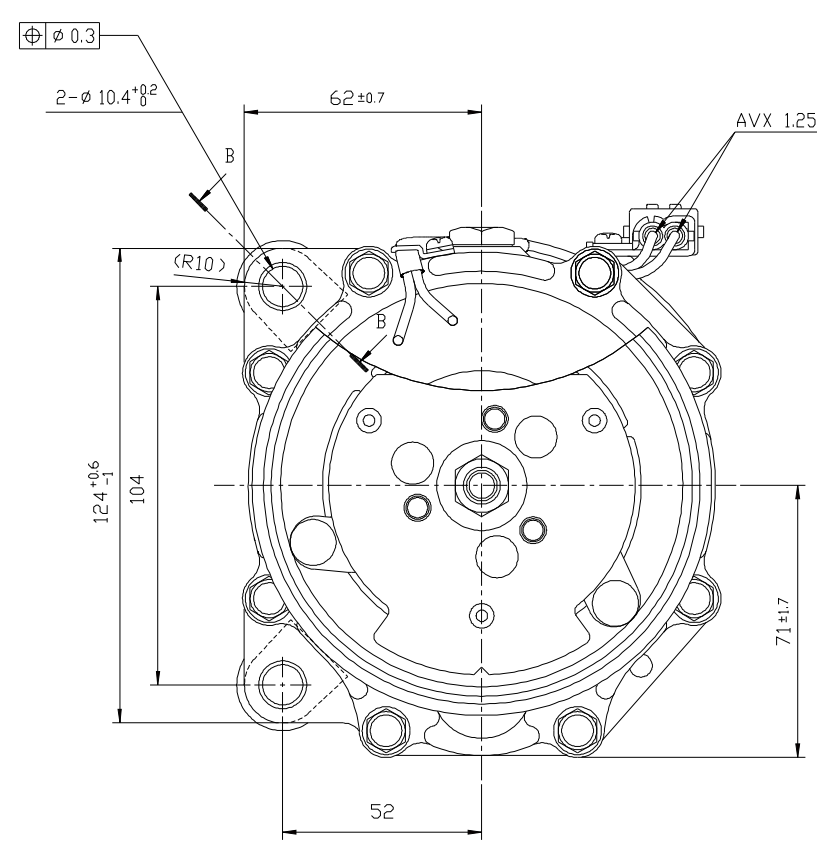
PARTIAL SECT. C - C



DETAIL OF PORT



PARTIAL SECT. A - A

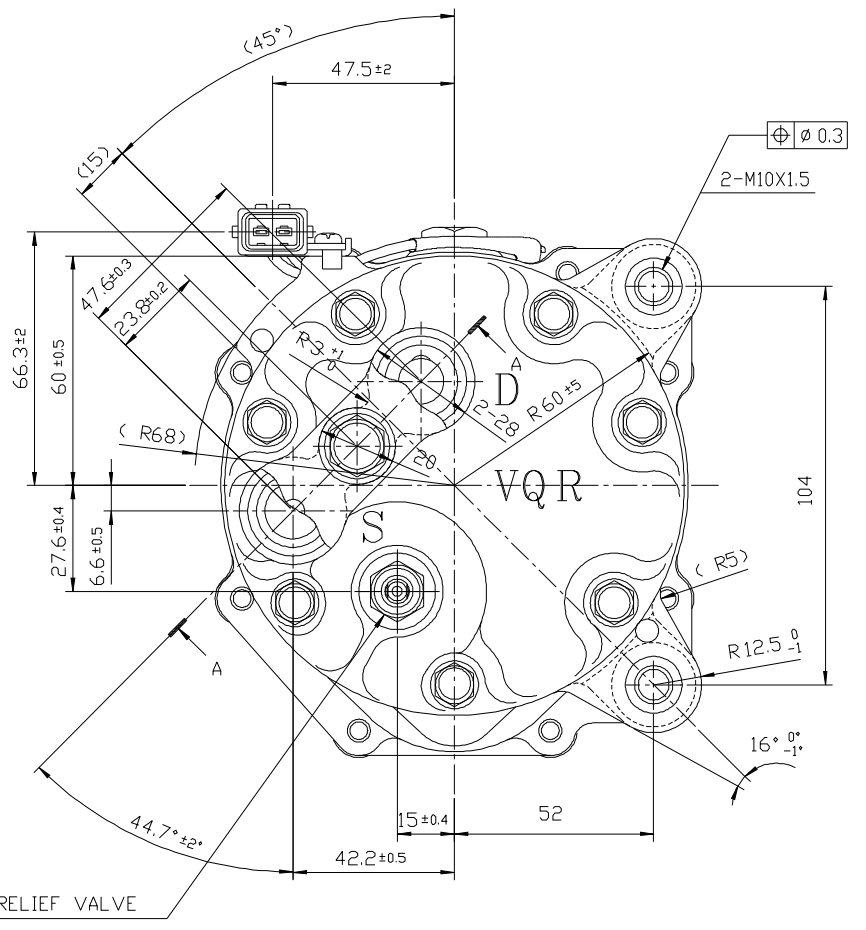
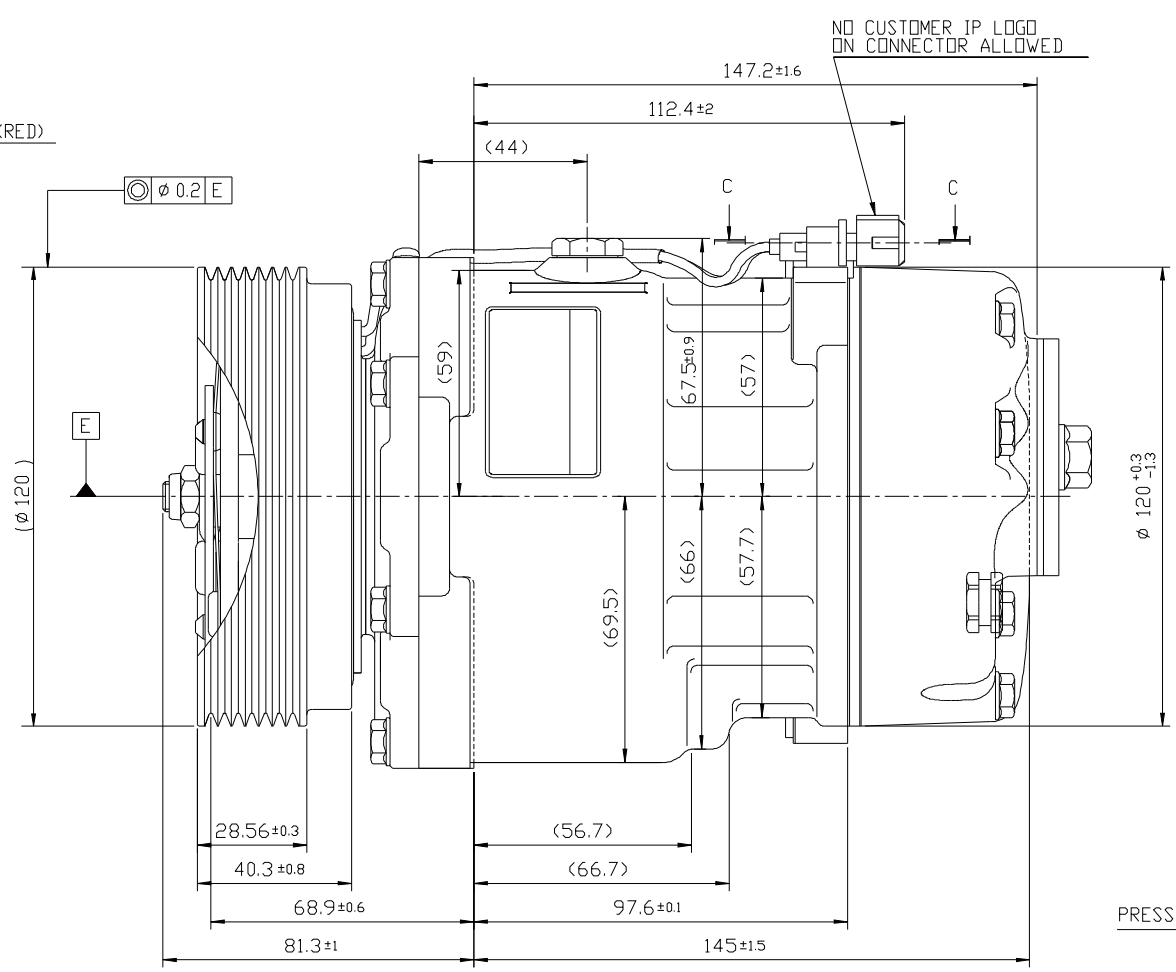


COMPRESSOR SPECIFICATIONS

Bore	29.3 mm
Stroke (Maximum)	34.2 mm
Stroke (Minimum)	2.2 mm
Displacement (Maximum)	161.3 cm ³ /rev.
Displacement (Minimum)	10.4 cm ³ /rev.
Number of Cylinder	7
Max Allowable Continuous Speed	7000 r.p.m.
Max Downshift Speed	8000 r.p.m.
Refrigerant	R-134a
Oil	135 cm ³
Weight	4.2 kg
Rotation	Counter Clockwise

CLUTCH SPECIFICATIONS

Rated Voltage	DC 12 V
Breakaway Torque	42.1 Nm
Minimum Engagement Voltage	DC 7.5 V
Power Consumption	48 W
Max Allowable Continuous Speed	7000 r.p.m.
Max Downshift Speed	8000 r.p.m.
Belt Type	PV7
Pulley Diameter	120 mm
Weight	2.2 kg



PRESSURE RELIEF VALVE

REV. LEVEL	RELEASED FOR ENG. DEVELOPMENT	<p>METRIC DIMENSIONS SHOWN IN MILLIMETERS UNLESS OTHERWISE SPECIFIED.</p> <p>THE INFORMATION CONTAINED IN THIS DRAWING IS THE SOLE PROPERTY OF SANDEN INTERNATIONAL. ANY REPRODUCTION IN PART OR AS A WHOLE WITHOUT THE WRITTEN PERMISSION OF SANDEN INTERNATIONAL, INC. IS PROHIBITED.</p>
A	DESIGN VALIDATION	
A	PROB. VALIDATION	
A	RELEASED FOR PRODUCTION	
A	RELEASED FOR PRODUCTION	
<p>INTERPRETATION OF THIS DRAWING PER ASME Y14.5M-1994</p> <p>THIRD ANGLE PROJECTION</p>		SIZE D
MATERIAL		NAME
COMPRESSOR		REV. NO.
4253-6000		A