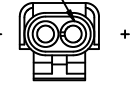
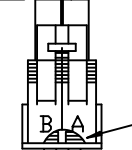


REV. LEVEL	REV.	APPV. DATE	REVISIONS	DWN	DSGN	CHK	APPV.
			INITIAL ISSUE REFERENCE 4046-6000 REVISION B.				

TERMINALS: PACKARD # 12124580



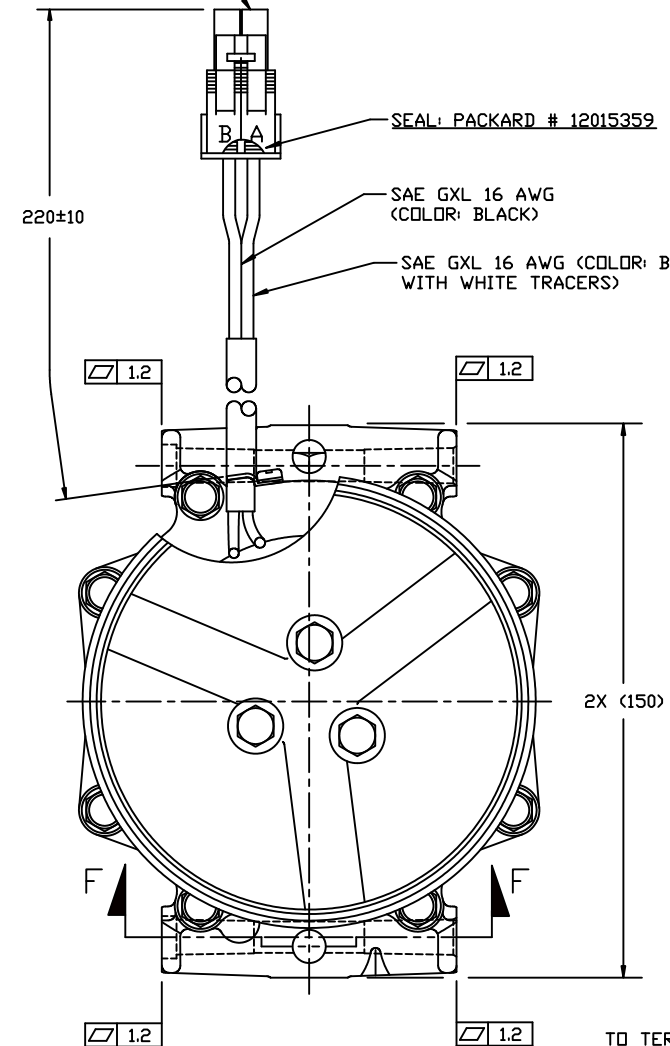
HOUSING: PACKARD # 12015792



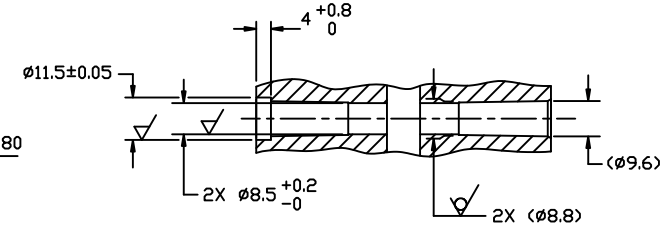
SEAL: PACKARD # 12015359

SAE GXL 16 AWG (COLOR: BLACK)

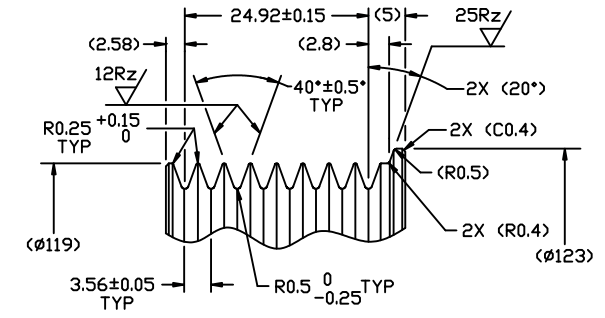
SAE GXL 16 AWG (COLOR: BLACK WITH WHITE TRACERS)



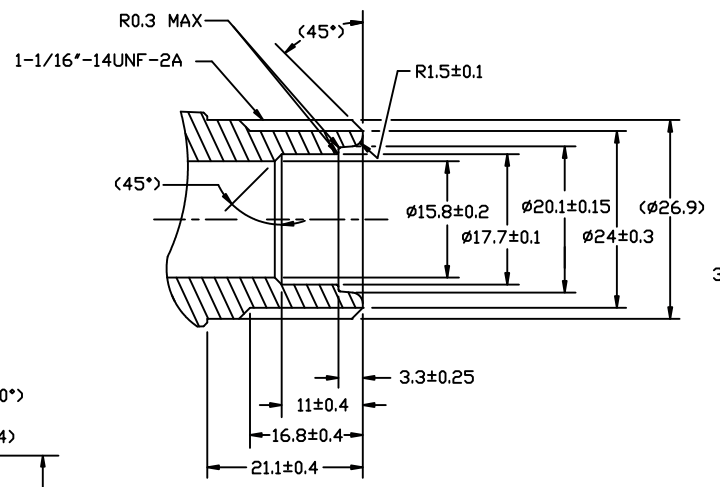
CLOCKWISE ROTATION



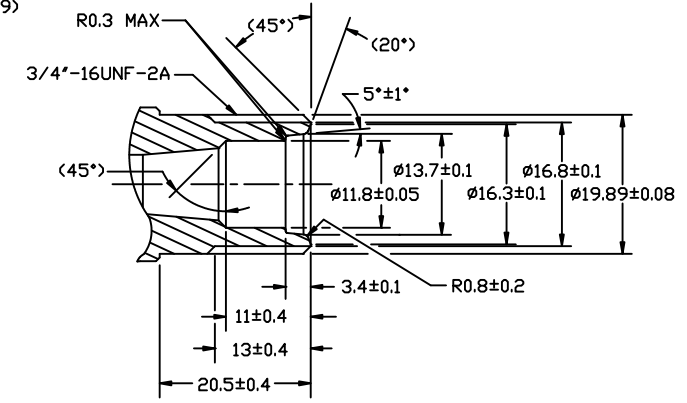
SECTION F-F  
2 PLACES



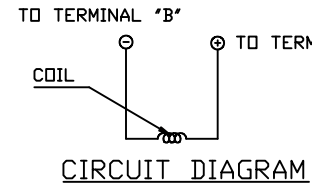
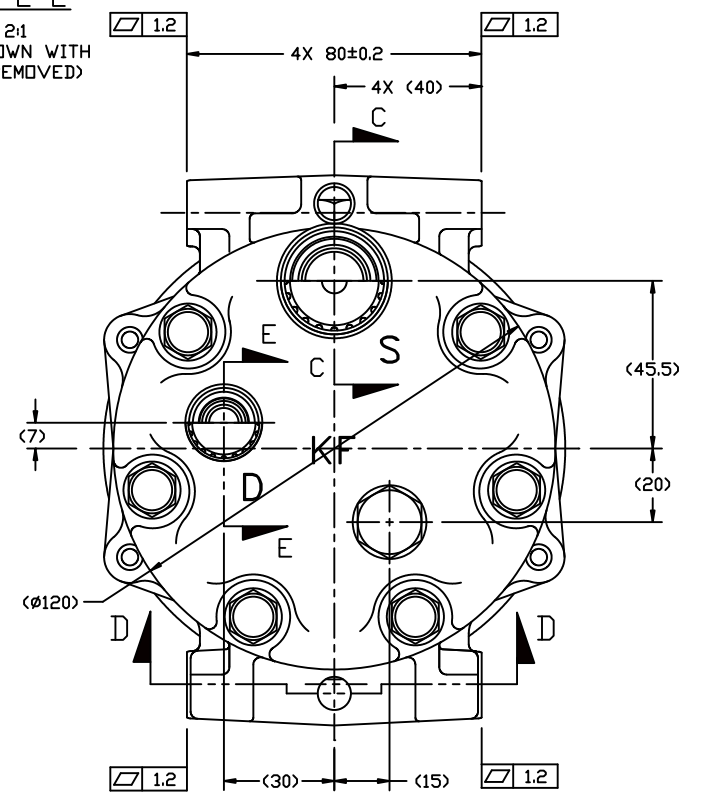
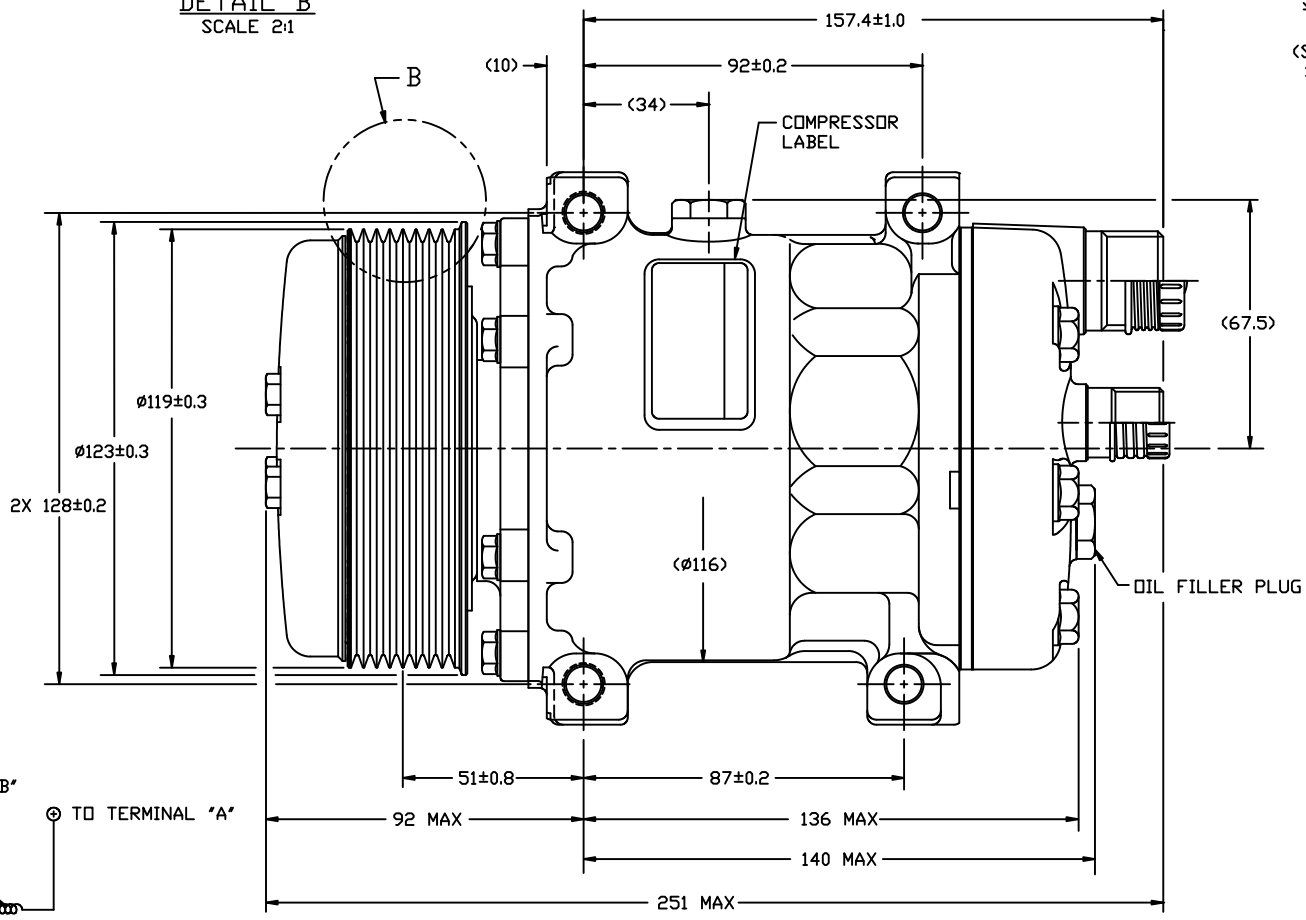
DETAIL B  
SCALE 2:1



SECTION C-C  
SCALE: 2:1  
(SECTION SHOWN WITH SEAL CAP REMOVED)



SECTION E-E  
SCALE: 2:1  
(SECTION SHOWN WITH SEAL CAP REMOVED)

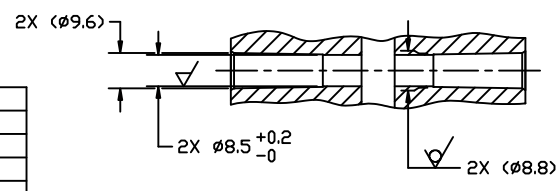


COMPRESSOR SPECIFICATIONS (REF.)

DISPLACEMENT PER REVOLUTION	154.9 cc / rev. ( 9.5cu.in. / rev. )
MAXIMUM ALLOWABLE R.P.M.	5000 R.P.M.
MAXIMUM ALLOWABLE CONTINUOUS R.P.M.	5000 R.P.M.
REFRIGERANT	R134a
OIL ( SP-15 )	270 cc ( 9.1 fl.oz. )
WEIGHT	8.164 kg ( 18.0 lb )

CLUTCH SPECIFICATIONS (REF.)

RATED VOLTAGE	DC 12V
BREAKAWAY TORQUE	3.5 kgf-m min. @ 12V
MINIMUM ENGAGEMENT VOLTAGE	7.5V @ AIR GAP 0.6mm
POWER CONSUMPTION	49 watts max.
BELT TYPE	PV8 TYPE
MAXIMUM ALLOWABLE BELT TENSION	120 kgf
PULLEY DIAMETER	Ø119mm (4.7 in.)
CLUTCH TYPE	HEAVY DUTY



SECTION D-D  
2 PLACES

DO NOT SCALE

REV. LEVEL	RELEASED FOR ENG. DEVELOPMENT	<p>SANDEN INTERNATIONAL ( U.S.A. ), INC.</p>	DRWN SCALE REF 1:1	PLOTTED SCALE REF NONE	METRIC
DSGN	J. Jones				
DIVN	J. Jones	<p>This drawing and the information contained hereon are CONFIDENTIAL and PROPRIETARY to Sanden International (U.S.A.), Inc., are received in CONFIDENCE and shall not be used, copied, or disclosed to others without the written permission of Sanden International (U.S.A.), Inc.</p>			
CHK	J. Jones				
APPV.	J. Jones				
DATE	4/23/12				
REV. LEVEL	RELEASED FOR DESIGN VALIDATION	<p>INTERPRETATION OF THIS DRAWING PER ASME Y14.5M-1994</p>			
DSGN	J. Jones				
APPV.	J. Jones	<p>THIRD ANGLE PROJECTION</p>			SIZE D
DATE	4/23/12				
REV. LEVEL	RELEASED FOR PRODUCTION VAL'D	<p>MATERIAL: -</p>			
DSGN	J. Jones				
APPV.	J. Jones	<p>NAME COMPRESSOR SD7H15 ENHANCED CAPACITY</p>			
DATE	4/23/12				
REV. LEVEL	RELEASED FOR PRODUCTION	<p>DWG. NO. 4121-6000</p>			
DSGN	J. Jones				
APPV.	J. Jones	<p>REV A</p>			
DATE	4/23/12				