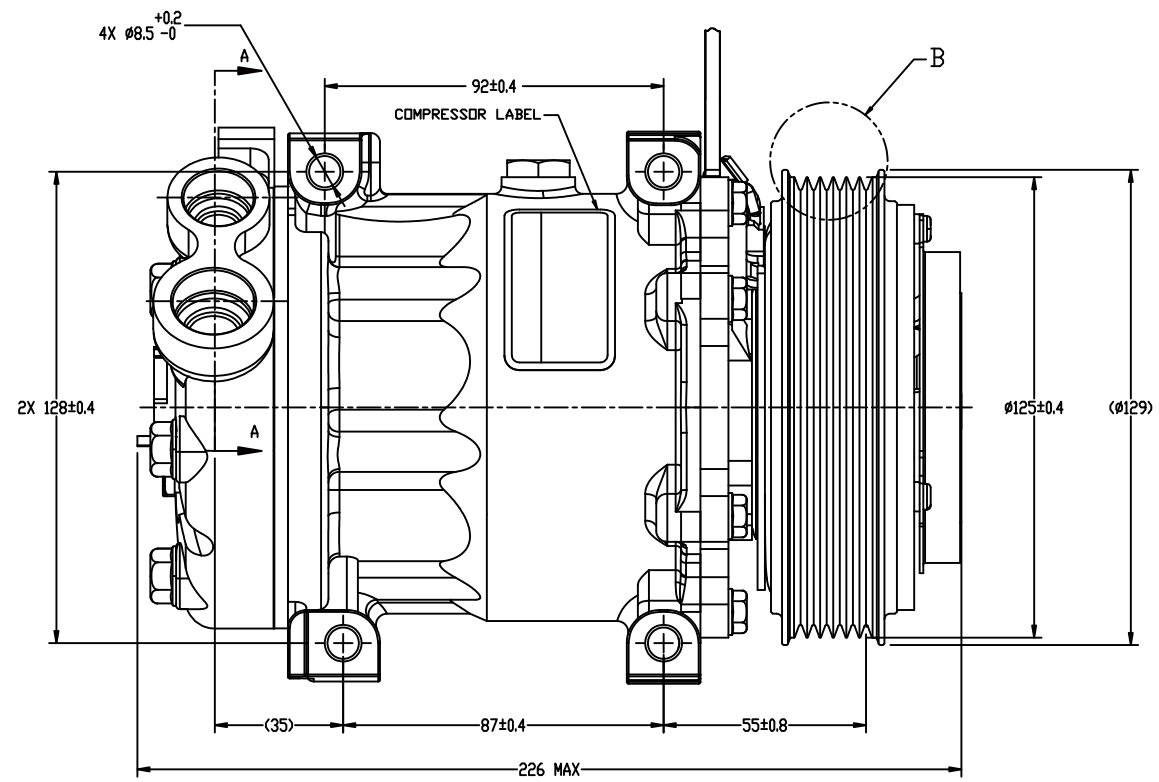
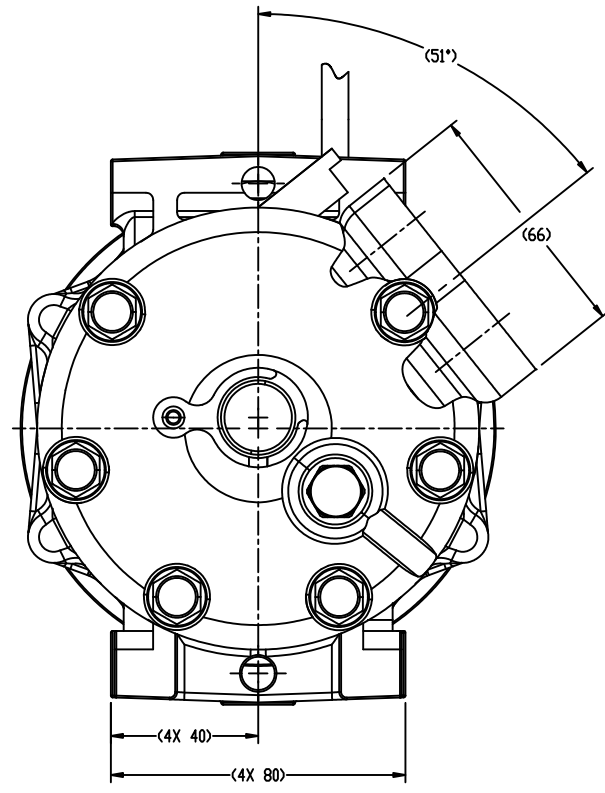
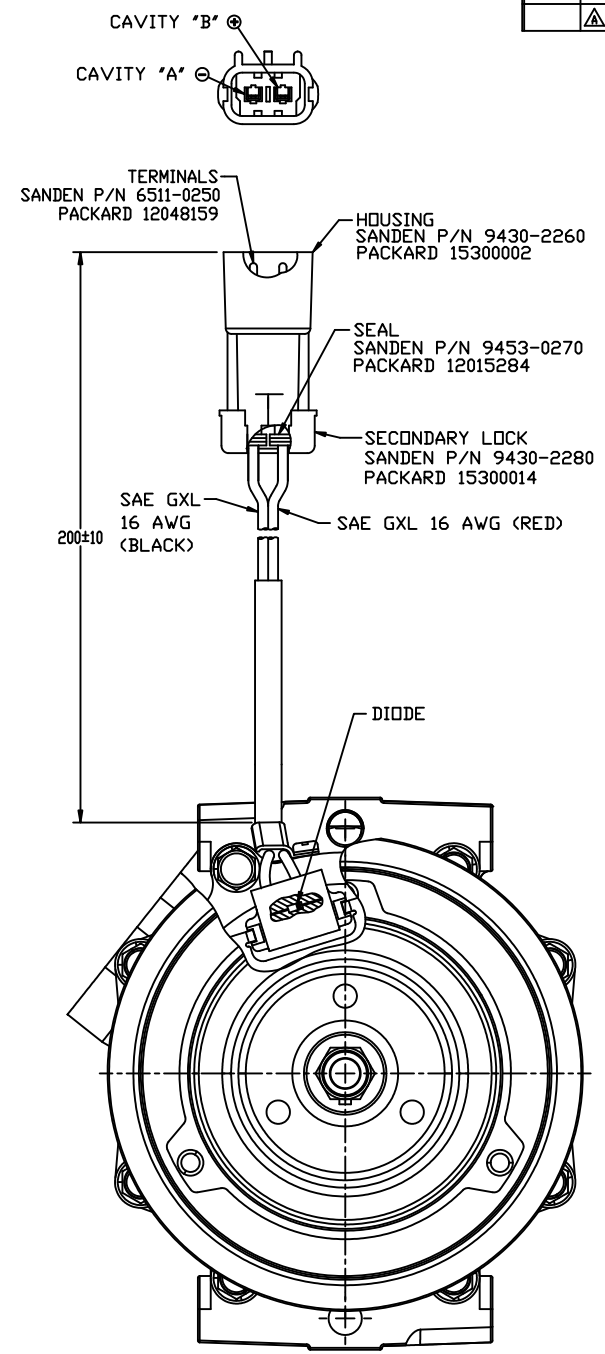
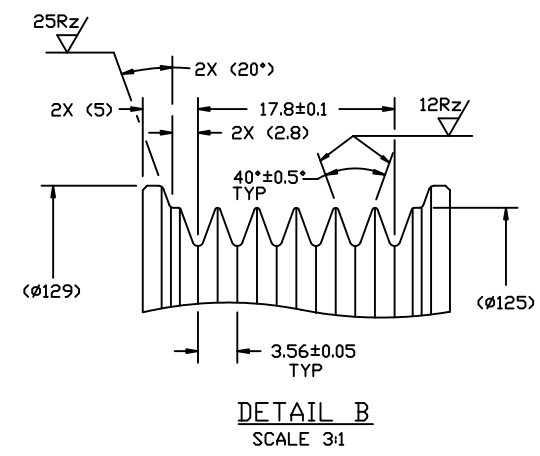
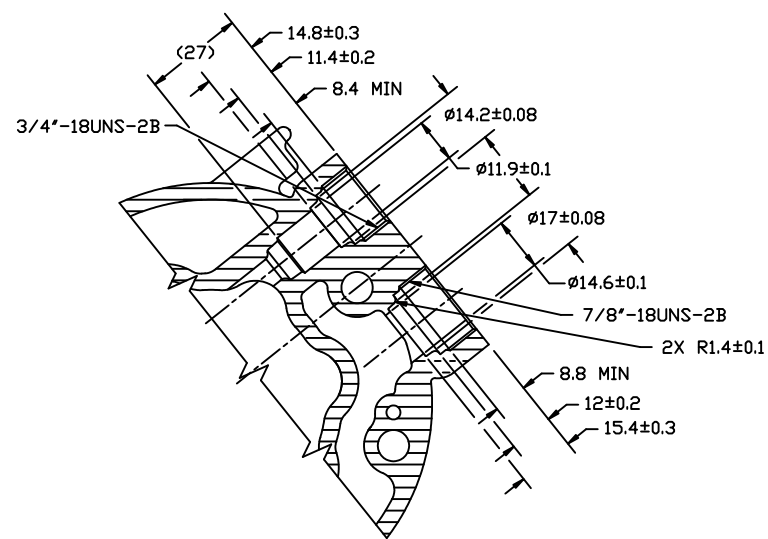


PCH	REV.	APPV.	DATE	REVISIONS	DVN	DSGN	CHK	APPV.
				INITIAL RELEASE REFERENCE: 4071-6000 REVISION B.				

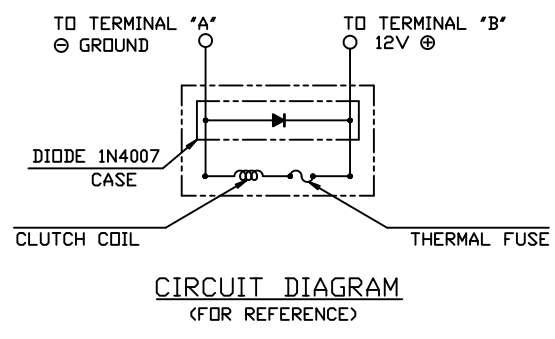


COMPRESSOR SPECIFICATIONS (REF.)

DISPLACEMENT PER REVOLUTION	154.9 cc / rev. ( 9.5cu.in. / rev. )
MAXIMUM ALLOWABLE R.P.M.	8000 R.P.M.
MAXIMUM ALLOWABLE CONTINUOUS R.P.M.	6000 R.P.M.
REFRIGERANT	R134a
OIL ( SP-15 )	300 cc ( 10.1 fl.oz. )
WEIGHT	7.590 kg ( 16.73 lb )
PRV OPENING PRESSURE RANGE	508 - 595 PSIG

CLUTCH SPECIFICATIONS (REF.)

RATED VOLTAGE	DC 12V
BREAKAWAY TORQUE	3.5 kgf-m min. @ 12V
MINIMUM ENGAGEMENT VOLTAGE	7.5V MAX @ AIR GAP 0.6mm REF
POWER CONSUMPTION	49 watts max.
BELT TYPE	PV6
MAXIMUM ALLOWABLE BELT TENSION	120 kgf
PULLEY DIAMETER	Ø125mm ( 4.92 in. )
CLUTCH TYPE	SUPER HEAVY DUTY



REV. LEVEL	RELEASED FOR	DATE	DESCRIPTION
A	RELEASED FOR ENG. DEVELOPMENT	4/23/12	
A	RELEASED FOR DESIGN VALIDATION	4/23/12	
A	RELEASED FOR PRODUCTION VAL'D.	4/23/12	
A	RELEASED FOR PRODUCTION	4/23/12	

<b>SANDEN</b>	
SANDEN INTERNATIONAL ( U.S.A. ), INC.	
DRAWN SCALE REF 1:1	PLOTTED SCALE REF NTS METRIC
This drawing and the information contained hereon are CONFIDENTIAL and PROPRIETARY to Sanden International (U.S.A.), Inc., are received in CONFIDENCE and shall not be used, copied, or disclosed to others without the written permission of Sanden International (U.S.A.), Inc.	
INTERPRETATION OF THIS DRAWING PER ASME Y14.5M-1994	
THIRD ANGLE PROJECTION	SIZE D
NAME <b>COMPRESSOR</b>	
DWG. NO. 4119-6000	REV A

DO NOT SCALE