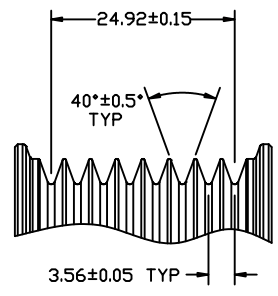
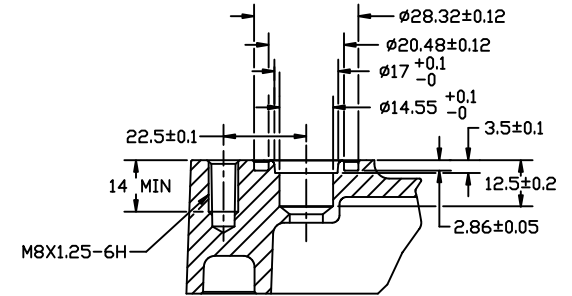


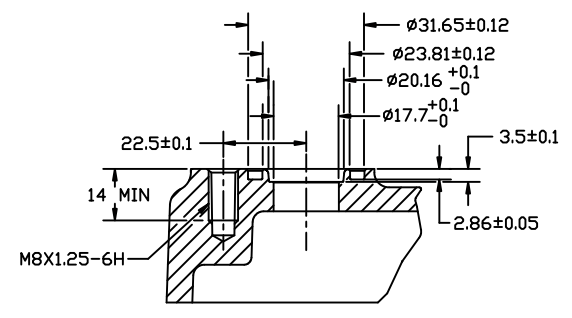
PDCN	REV.	APPV DATE	REVISIONS	DWN	DSGN	CHK	APPV
			INITIAL ISSUE REFERENCE 4116-6000 REVISION B.				



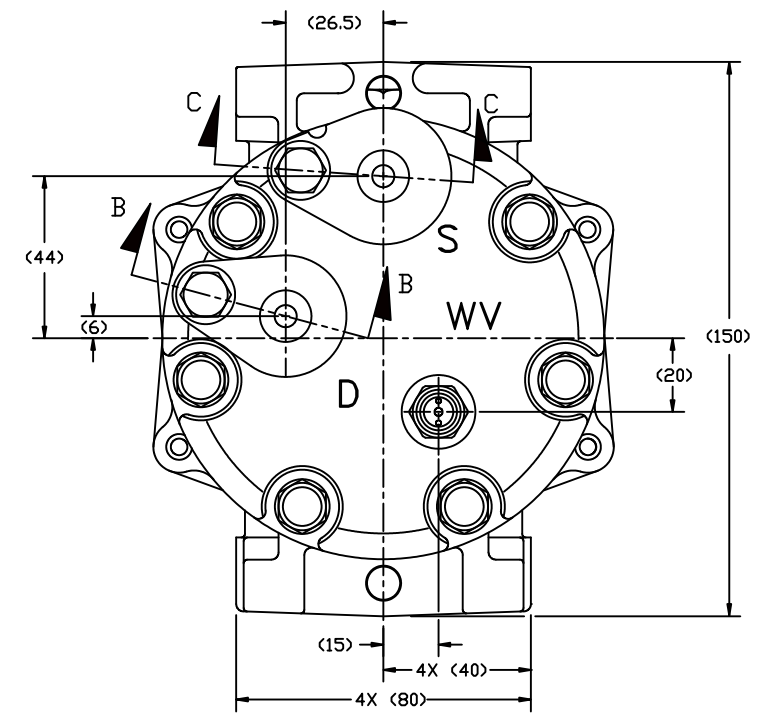
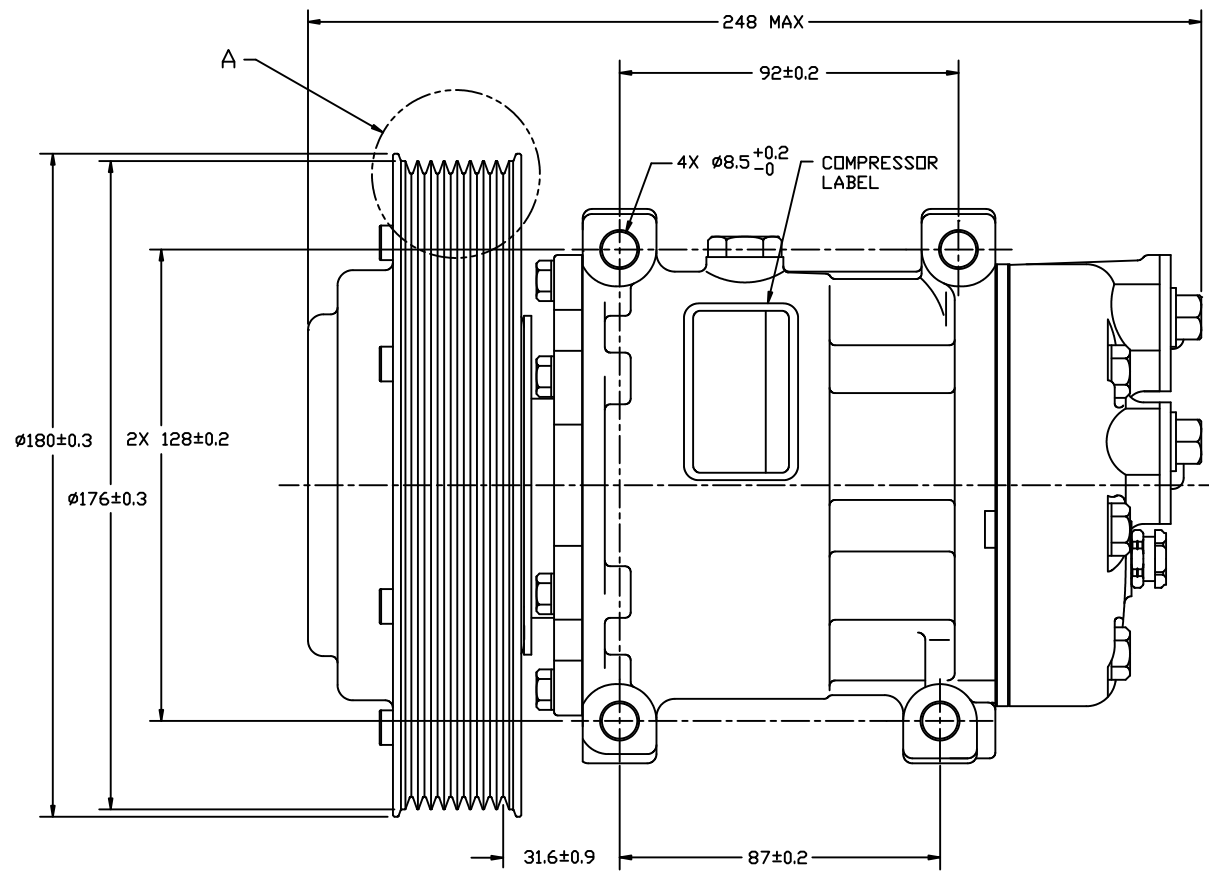
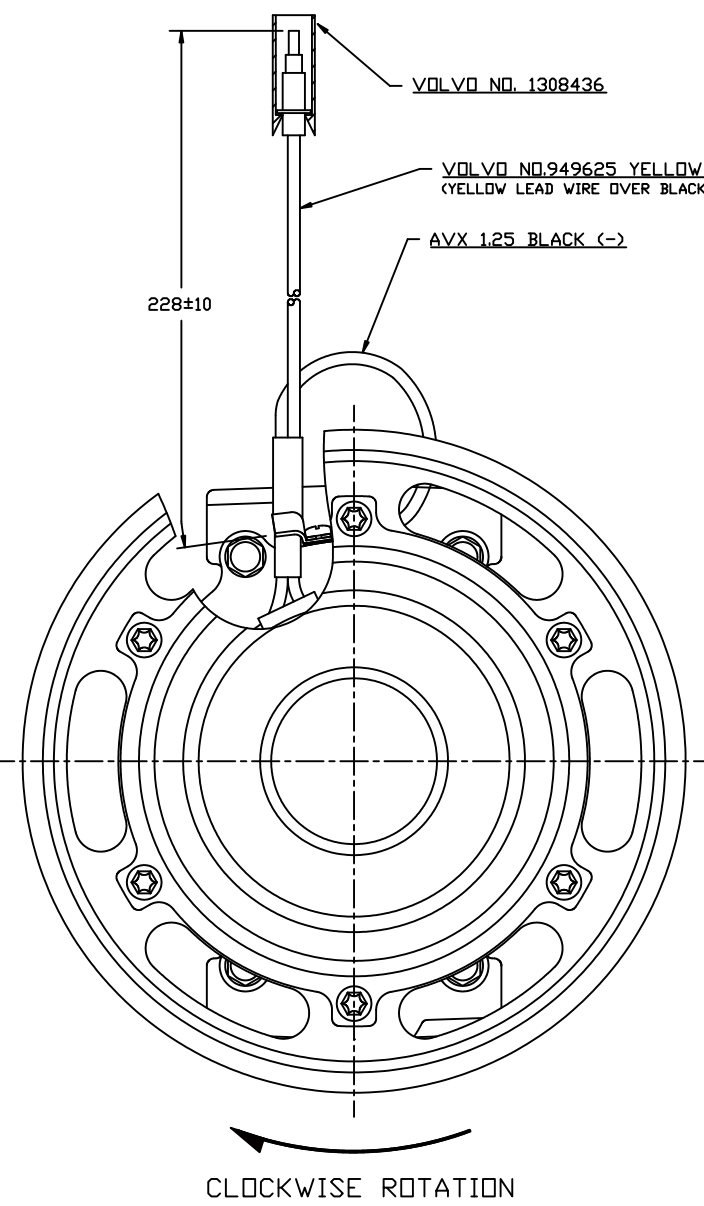
DETAIL A  
SCALE 2:1



SECTION B-B



SECTION C-C



COMPRESSOR SPECIFICATIONS (REF)

DISPLACEMENT PER REVOLUTION	154.9 cc / rev. ( 9.5cu.in / rev.)
MAXIMUM ALLOWABLE R.P.M.	8000
MAXIMUM ALLOWABLE CONTINUOUS R.P.M.	6000
REFRIGERANT	R134a
OIL ( SP-15 )	280 ± 10 cc
PRV OPENING PRESSURE RANGE	508 - 595 PSIG
WEIGHT	8.134 kg ( 17.93 lb. )

CLUTCH SPECIFICATIONS (REF)

RATED VOLTAGE	DC 24V
BREAKAWAY TORQUE	3.5 kgf-m MIN @ 24 V
MINIMUM ENGAGEMENT VOLTAGE	16V MAX @ AIR GAP 0.6 mm
MAXIMUM POWER CONSUMPTION	42 W
BELT TYPE	PV8
MAXIMUM ALLOWABLE BELT TENSION	120 kgf
PULLEY DIAMETER	Ø176 mm
CLUTCH TYPE	SUPER HEAVY DUTY

DO NOT SCALE

REV. LEVEL	RELEASED FOR ENGR DEVELOPMENT	<p>SANDEN INTERNATIONAL ( U.S.A. ), INC.</p> <p>DRAWN SCALE REF 1:1 PLOTTED SCALE REF NONE METRIC</p> <p>This drawing and the information contained hereon are CONFIDENTIAL and PROPRIETARY to Sanden International (U.S.A.), Inc., are received in CONFIDENCE and shall not be used, copied, or disclosed to others without the written permission of Sanden International (U.S.A.), Inc.</p>	SIZE	
A	DESIGN VALIDATION		INTERPRETATION OF THIS DRAWING PER ASME Y14.5M-1994	D
A	RELEASED FOR PRODUCTION VAL'D		THIRD ANGLE PROJECTION	
A	RELEASED FOR PRODUCTION		MATERIAL:	
		NAME	COMPRESSOR	
		DWG. NO.	4116-6000	
		REV	A	