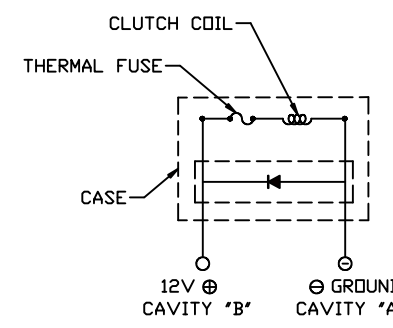
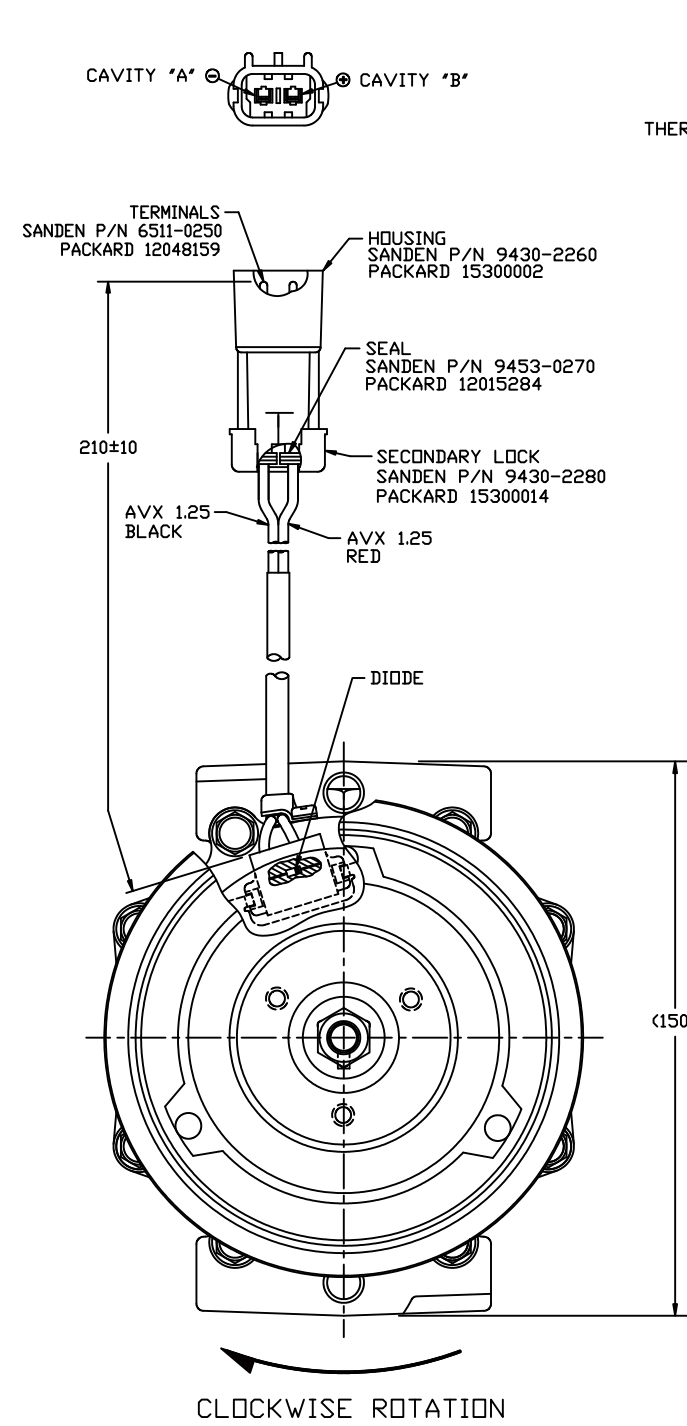
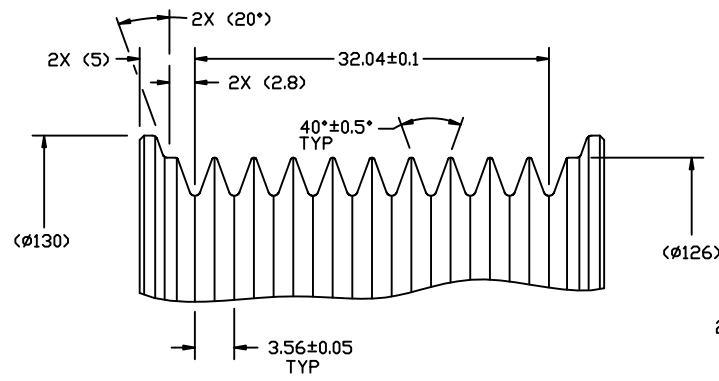


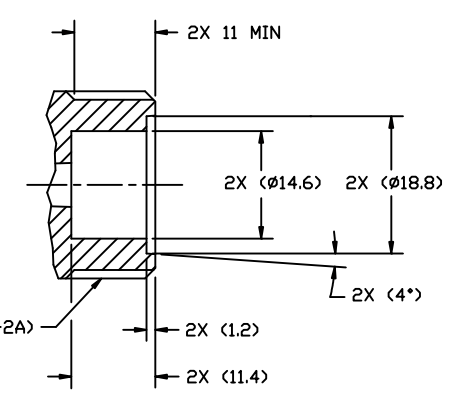
PDCN	REV.	APPV DATE	REVISIONS	DWN	DSGN	CHK	APPV
			INITIAL ISSUE REFERENCE 4412-6000 REVISION B.				



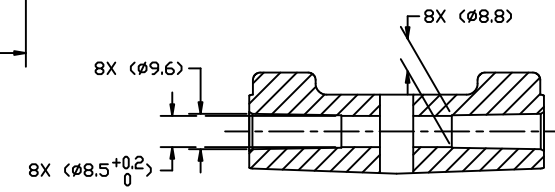
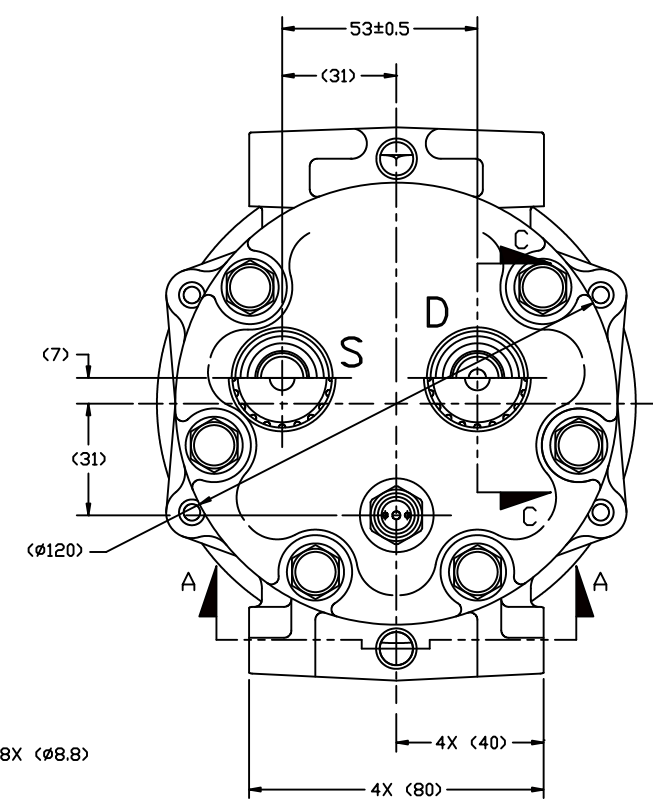
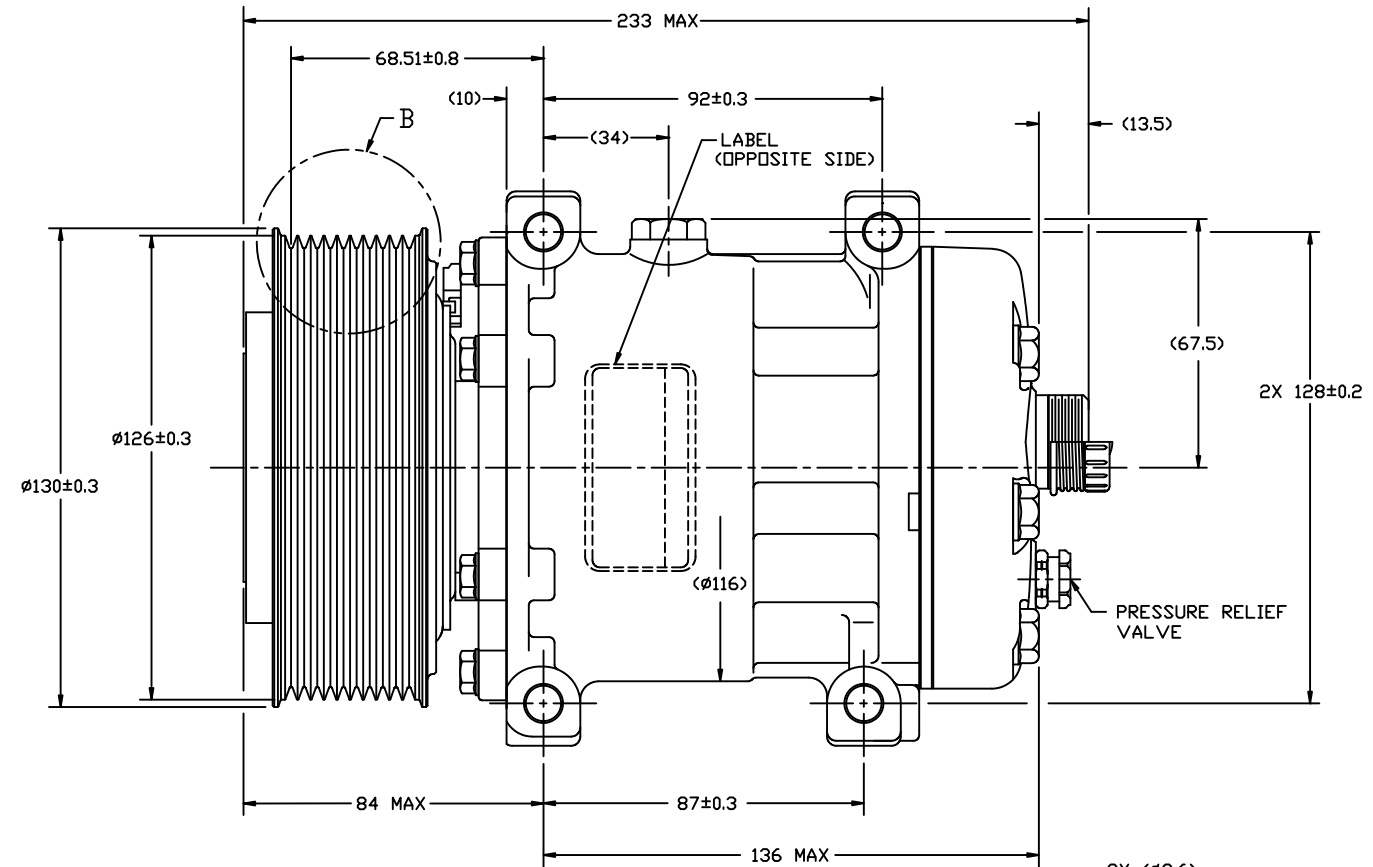
CIRCUIT DIAGRAM
(FOR REFERENCE)



DETAIL B
SCALE 3:1



SECTION C-C
SCALE 2:1
TYPICAL BOTH PORTS
(SECTION SHOWN WITH
SEAL CAP REMOVED)



SECTION A-A

COMPRESSOR SPECIFICATIONS (REF)

DISPLACEMENT PER REVOLUTION	154.9 cc / rev. (9.5 cu.in. / rev.)
MAXIMUM ALLOWABLE R.P.M.	8000 R.P.M.
MAXIMUM ALLOWABLE CONTINUOUS R.P.M.	6000 R.P.M.
REFRIGERANT	R134a
OIL (SP-15)	300 cc (10.1 fl.oz.)
WEIGHT	7.639 kg (16.84 lb)

CLUTCH SPECIFICATIONS (REF)

RATED VOLTAGE	DC 12V
BREAKAWAY TORQUE	3.5 kgf-m min. @ 12V
MINIMUM ENGAGEMENT VOLTAGE	7.5V @ AIR GAP 0.6mm
POWER CONSUMPTION	49 watts max.
BELT TYPE	PV10 TYPE
MAXIMUM ALLOWABLE BELT TENSION	120 kgf
PULLEY DIAMETER	Ø126 mm (4.96 in.)
CLUTCH TYPE	HEAVY DUTY

NOTE:
1. DIMENSIONS ARE TO VIRTUAL SHARP
CORNERS UNLESS OTHERWISE SPECIFIED.

DO
NOT
SCALE

REV. LEVEL	RELEASED FOR	DATE	DESCRIPTION
A	DESIGN	7/23/12	RELEASED FOR PRODUCTION
A	APPV.	7/23/12	DESIGN VALIDATION
A	APPV.	7/23/12	RELEASED FOR PRODUCTION
A	APPV.	7/23/12	RELEASED FOR PRODUCTION

SANDEN	
SANDEN INTERNATIONAL (U.S.A.), INC.	
DRWN SCALE REF 1:1	PLOTTED SCALE REF 1:1
METRIC	
<small>This drawing and the information contained hereon are CONFIDENTIAL and PROPRIETARY to Sanden International (U.S.A.), Inc., are received in CONFIDENCE and shall not be used, copied, or disclosed to others without the written permission of Sanden International (U.S.A.), Inc.</small>	
INTERPRETATION OF THIS DRAWING PER ASME Y14.5M-1994	
THIRD ANGLE PROJECTION	SIZE D
MATERIAL:	
NAME COMPRESSOR	
DWG. NO. 4114-6000	REV A