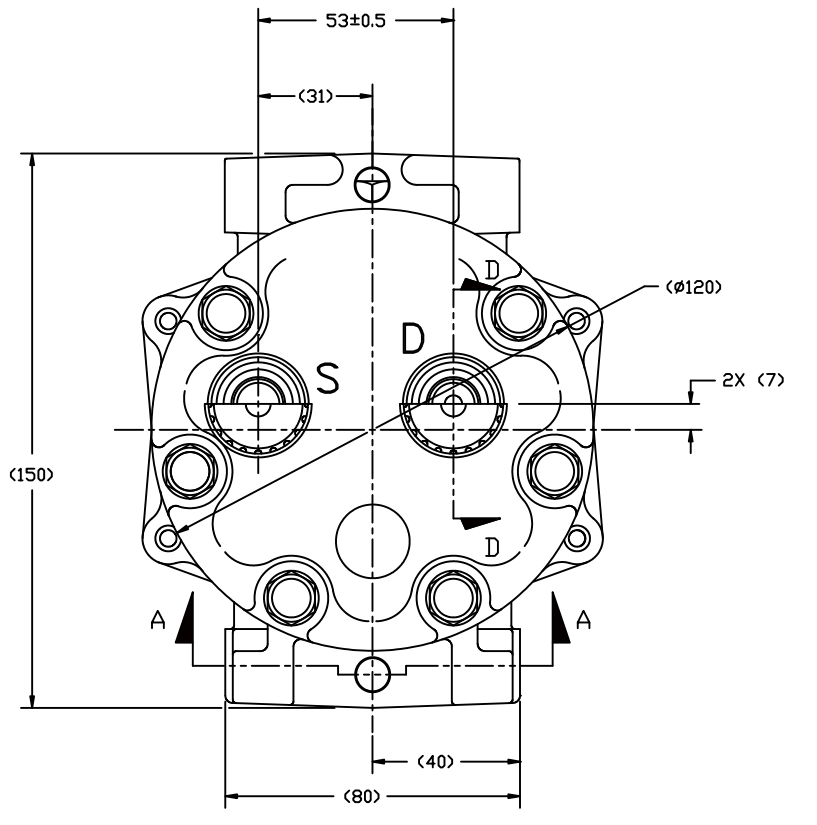
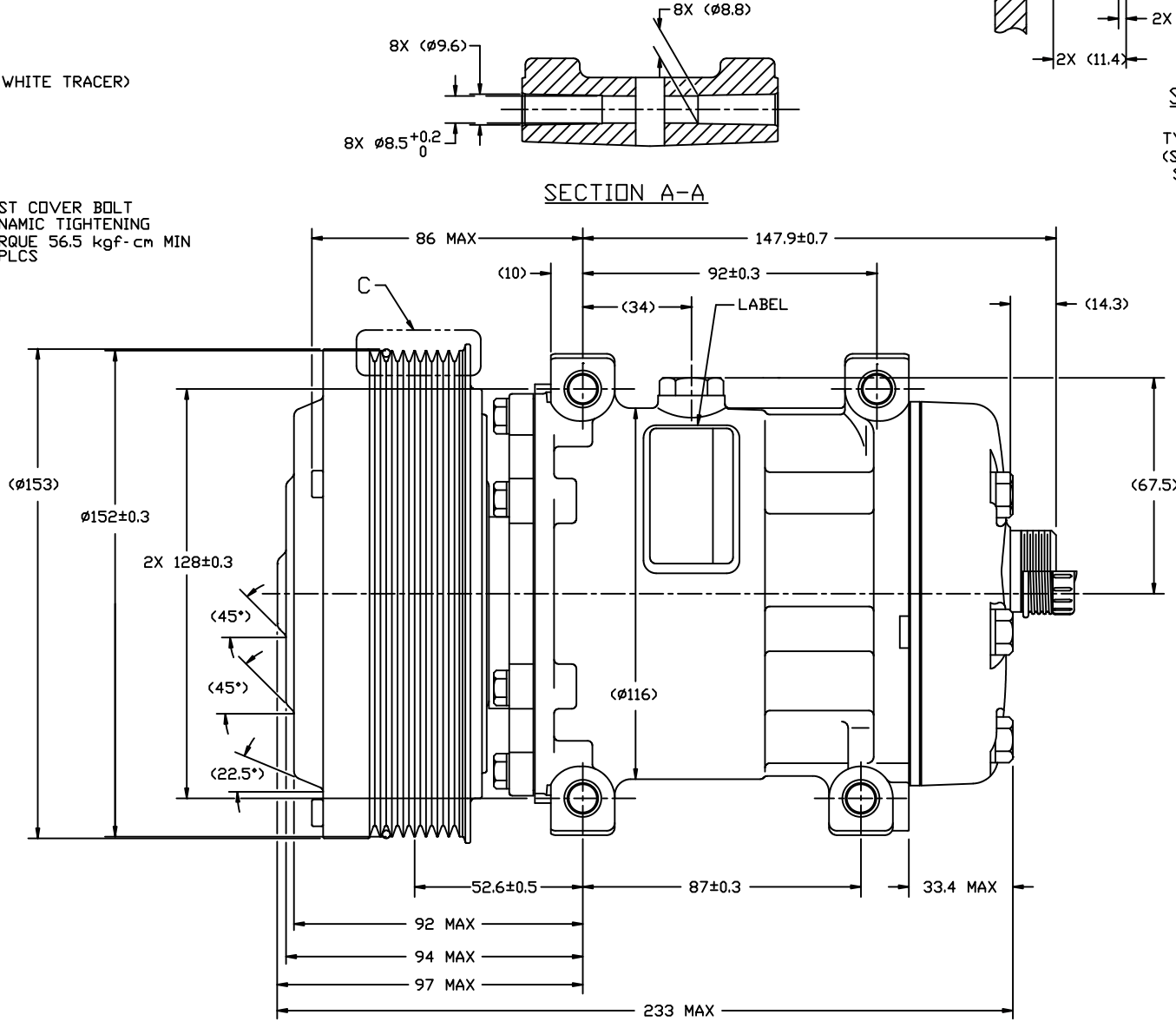
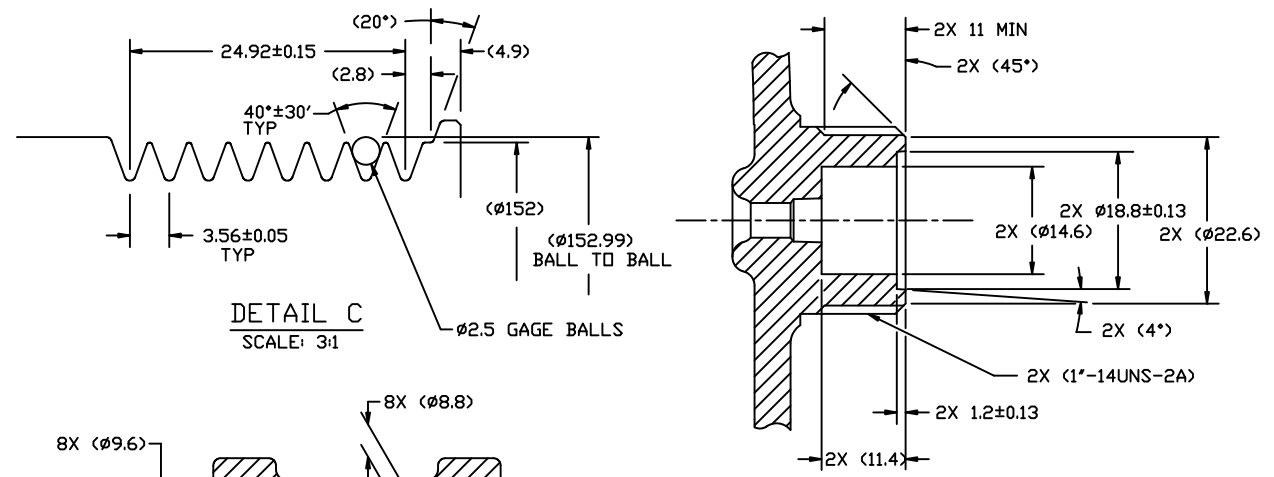
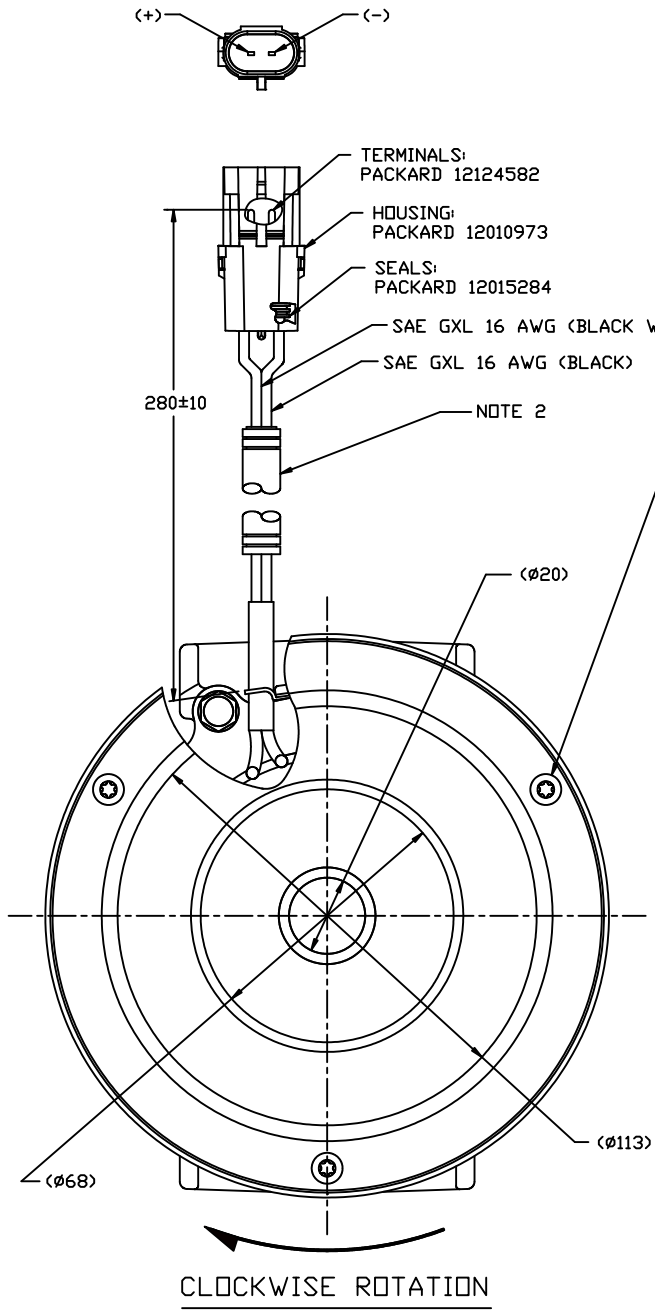


PDCN	REV.	APPV DATE	REVISIONS	DWN	DSGN	CHK	APPV
	△		INITIAL ISSUE REFERENCE 4586-6000 REVISION B.				



COMPRESSOR SPECIFICATIONS (REF)

DISPLACEMENT PER REVOLUTION	154.9 cc / rev. ( 9.5cu.in. / rev. )
MAXIMUM ALLOWABLE R.P.M.	4000 R.P.M.
MAXIMUM ALLOWABLE CONTINUOUS R.P.M.	4000 R.P.M.
REFRIGERANT	R134a
OIL ( SP-15 )	285 cc ( 9.6 fl.oz. )
WEIGHT	9.956 kg ( 21.95 lb )
MAXIMUM ALLOWABLE LEAKAGE	17 gram/year (0.6 oz/year)
MAXIMUM ALLOWABLE CONTAMINATION	30 mg (0.001 oz)/0.5x0.5x1.0 INDIVIDUAL

CLUTCH SPECIFICATIONS (REF)

RATED VOLTAGE	DC 12V
BREAKAWAY TORQUE	3.5 kgf·m min. @ 12V
MINIMUM ENGAGEMENT VOLTAGE	7.5V @ AIR GAP 0.6mm REF
POWER CONSUMPTION	43 watts max.
BELT TYPE	PV8 TYPE
MAXIMUM ALLOWABLE BELT TENSION	120 kgf
PULLEY DIAMETER	ø152 mm ( 5.98 in. )
CLUTCH TYPE	SEALED HEAVY DUTY

- NOTE:
1. COMPRESSOR SHALL MEET ALL PERFORMANCE REQUIREMENT PER SANDEN ENGINEERING STANDARD SES-CC-214.
  2. CORRUGATED TUBE, MATERIAL: POLYPROPYLENE, INNER DIAMETER = 7.4±0.6, OUTER DIAMETER = 10.2±0.6, LENGTH = 220±5

DO NOT SCALE

REV. LEVEL	RELEASED FOR ENG. DEVELOPMENT	<p>SANDEN INTERNATIONAL ( U.S.A. ), INC.</p> <p>DRAWN SCALE REF 1:1 PLOTTED SCALE REF 1:1 METRIC</p> <p>This drawing and the information contained hereon are CONFIDENTIAL and PROPRIETARY to Sanden International (U.S.A.), Inc., are received in CONFIDENCE and shall not be used, copied, or disclosed to others without the written permission of Sanden International (U.S.A.), Inc.</p>
DSGN	R. Stone	
DWN	R. Stone	
CHK	J. Stone	
APPV.	A. Whiting	<p>INTERPRETATION OF THIS DRAWING PER ASME Y14.5M-1994</p> <p>THIRD ANGLE PROJECTION</p>
DATE	4/23/12	
REV. LEVEL	RELEASED FOR DESIGN VALIDATION	<p>MATERIAL:</p> <p>NAME: COMPRESSOR</p> <p>DWG. NO. 4109-6000</p> <p>REV. A</p>
DSGN	R. Stone	
DWN	R. Stone	
CHK	J. Stone	
APPV.	A. Whiting	
DATE	4/23/12	
REV. LEVEL	RELEASED FOR PRODUCTION VAL'D	
DSGN	R. Stone	
DWN	R. Stone	
CHK	J. Stone	
APPV.	A. Whiting	
DATE	4/23/12	