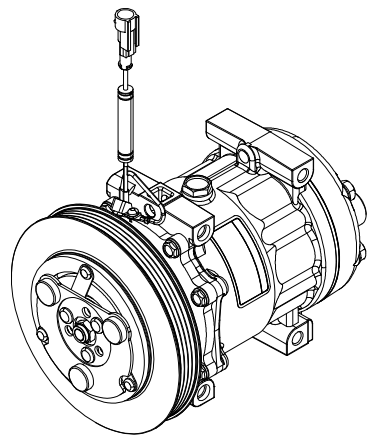
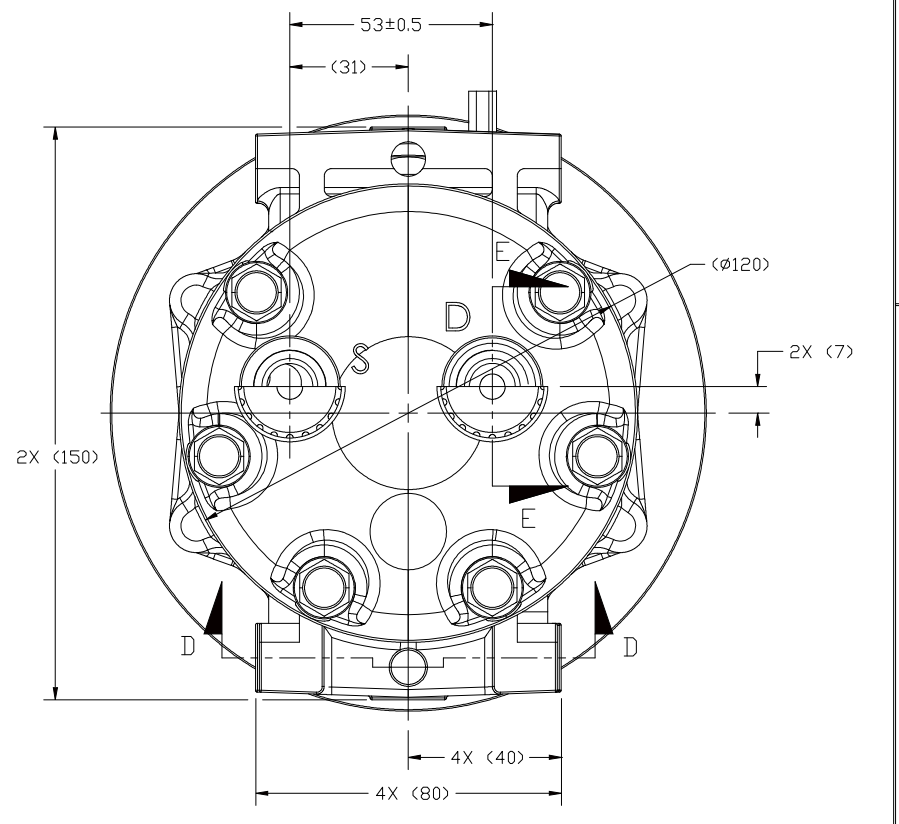
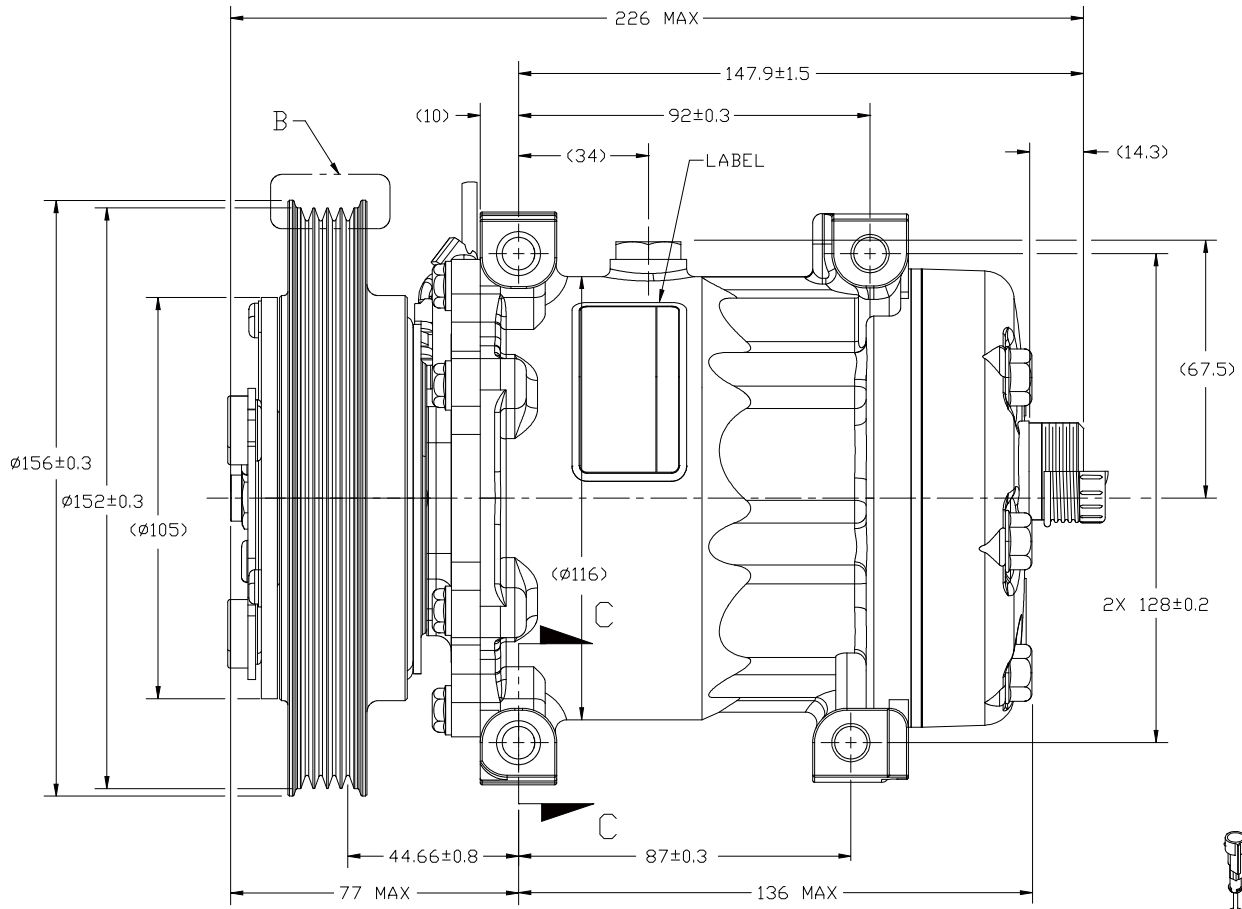
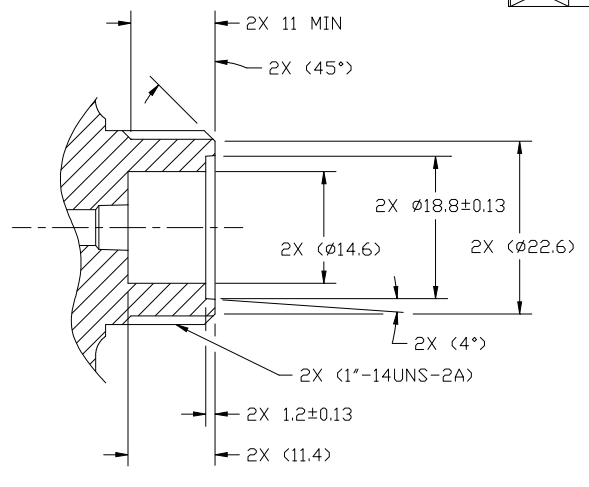
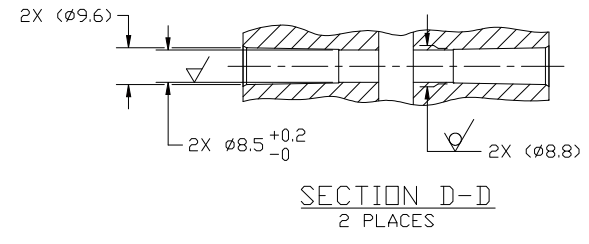
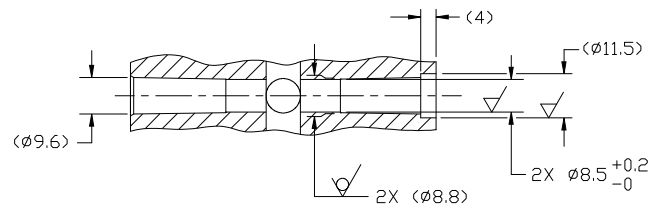
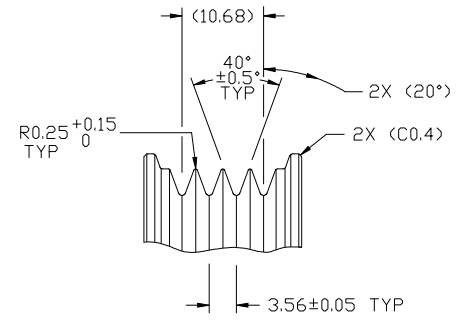
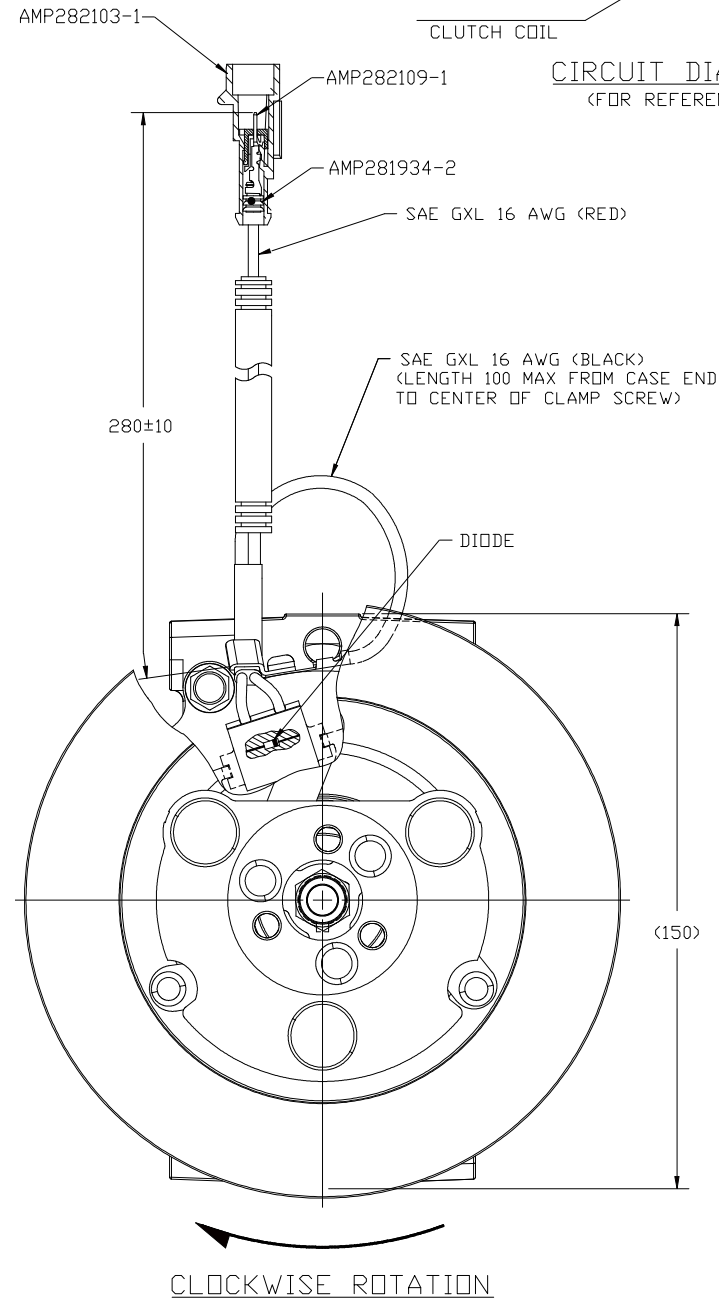
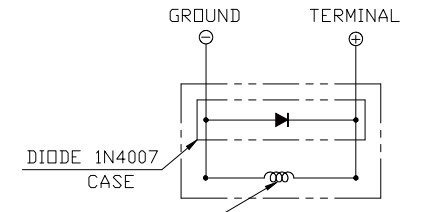


PDCN	REV.	APPV.	DATE	REVISIONS	DWN	DSGN	CHK	APPV.
	1			INITIAL ISSUE				



**COMPRESSOR SPECIFICATIONS (REF)**

DISPLACEMENT PER REVOLUTION	154.9 cc / rev. ( 9.5cu.in. / rev. )
MAXIMUM ALLOWABLE R.P.M.	8000 R.P.M.
MAXIMUM ALLOWABLE CONTINUOUS R.P.M.	6000 R.P.M.
REFRIGERANT	R134a
OIL ( SP-15 )	200 cc ( 6.7 floz. )
WEIGHT	7.71 kg ( 16.99 lbs. )

**CLUTCH SPECIFICATIONS (REF)**

RATED VOLTAGE	DC 12V
BREAKAWAY TORQUE	3.5 kgf-m min. @ 12V
MINIMUM ENGAGEMENT VOLTAGE	7.5V @ AIR GAP 0.6mm
POWER CONSUMPTION	43 watts max.
BELT TYPE	PV4 TYPE
MAXIMUM ALLOWABLE BELT TENSION	120 kgf
PULLEY DIAMETER	Ø152 mm ( 5.98 in. )

DO NOT SCALE

REV. LEVEL	RELEASED FOR ENGINE DEVELOPMENT	<p><b>SANDEN</b> SANDEN INTERNATIONAL ( U.S.A. ), INC.</p>	DRAWN SCALE REF 1:1 PLOTTED SCALE REF NONE METRIC
DSGN	Dennis Lee 8/8/11		
DWN	Dennis Lee 8/8/11	This drawing and the information contained hereon are CONFIDENTIAL and PROPRIETARY to Sanden International (U.S.A.), Inc., are received in CONFIDENCE and shall not be used, copied, or disclosed to others without the written permission of Sanden International (U.S.A.), Inc.	INTERPRETATION OF THIS DRAWING PER ASME Y14.5M-1994
CHK	J. Sokolowski		
APPV.	Hoden Farah		
APPV. DATE	8-11-11	MATERIAL: -	SIZE D
REV. LEVEL	RELEASED FOR DESIGN VALIDATION		
DSGN	Dennis Lee 8/10/11	NAME <b>COMPRESSOR</b>	DWG. NO. 4105-6000
APPV.	Hoden Farah		
APPV. DATE	8-11-11		
REV. LEVEL	RELEASED FOR PRODUCTION	REV. A	REV. DATE
DSGN	Dennis Lee 8/10/11		