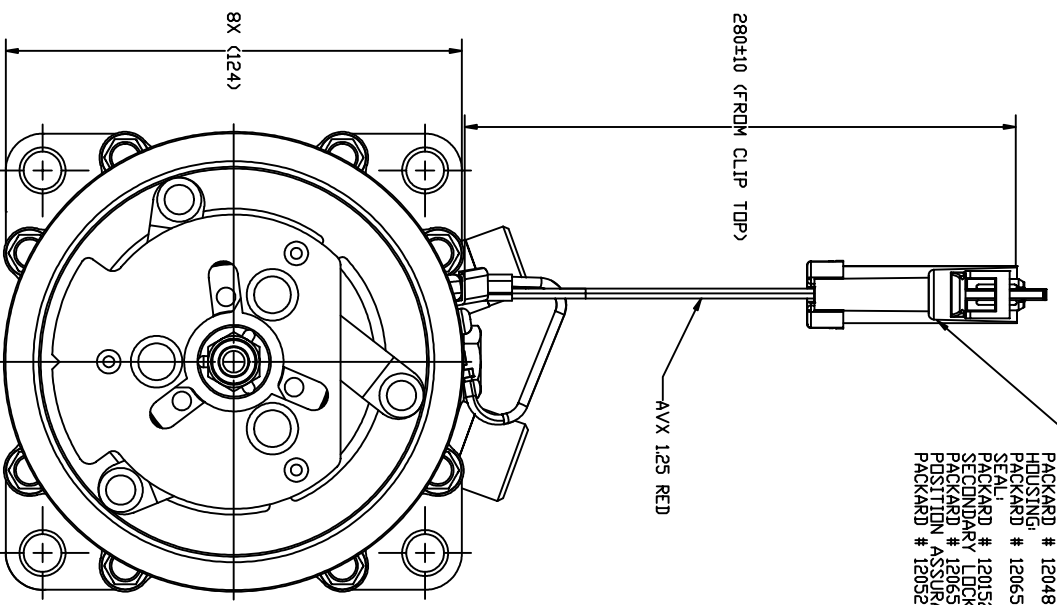


PKM	REV.	DATE	REVISIONS	DM	CHK	APPV
	Δ		INITIAL RELEASE			
000002	Δ	5/14/08	RELEASED FOR PRODUCTION DATE AND INTERPRETATION PER ASME Y14.3M-1994	DRL	AA	R. Martinez

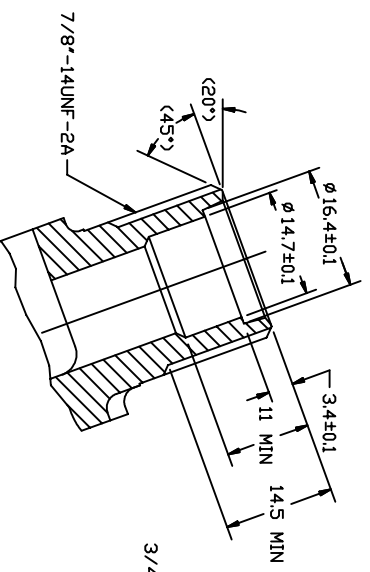
TERMINAL
PACKARD # 12048159
HOUSING
PACKARD # 12065171
SEAL
PACKARD # 12052984
SECONDARY 12065249
PACKARD # 12065249
PLUGS
PACKARD # 12052984
PACKARD # 12052984



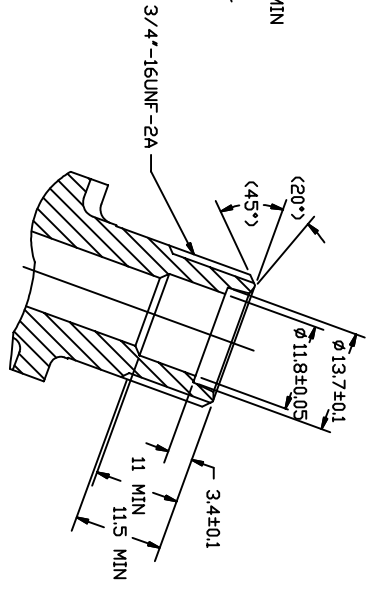
CLOCKWISE ROTATION

COMPRESSOR SPECIFICATIONS (REF)

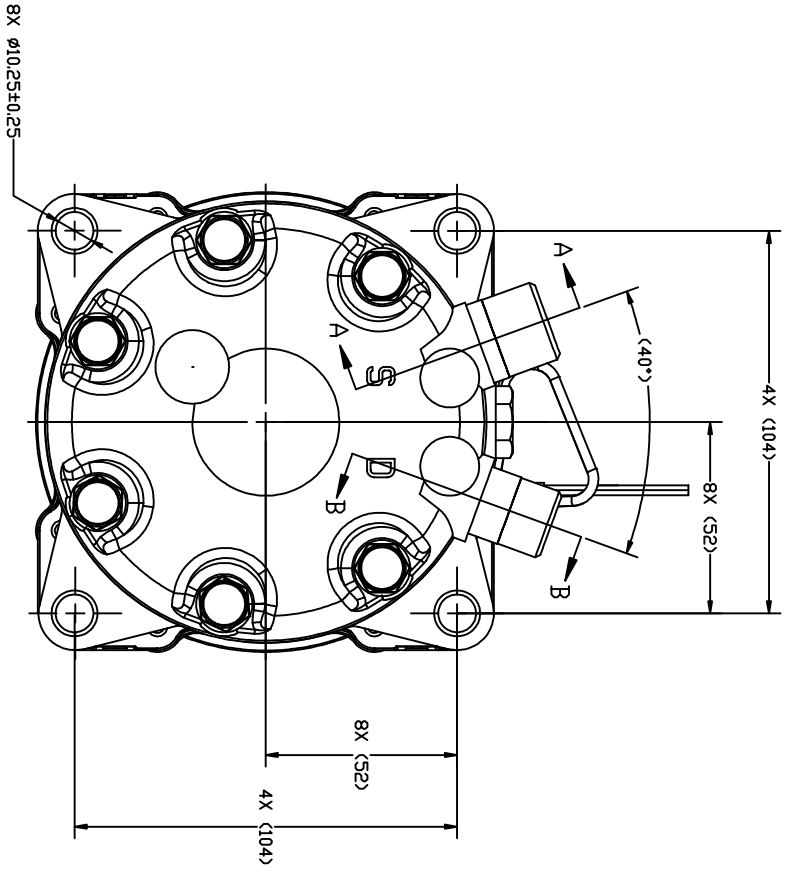
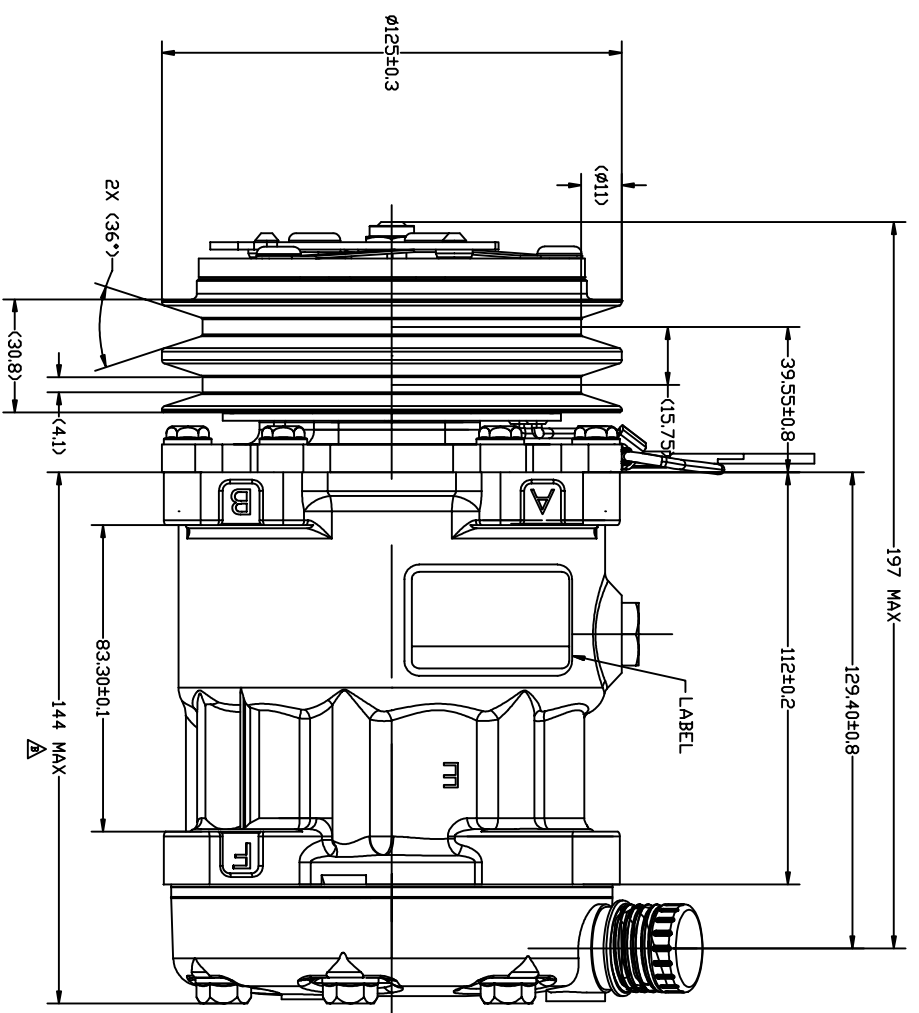
DISPLACEMENT PER REVOLUTION	154.9 CC
MAXIMUM ALLOWABLE RPM	8000 RPM
MAXIMUM ALLOWABLE CONTINUOUS RPM	6000 RPM
REFRIGERANT	R134a
Oil (SP-15)	200 ±10 CC



SECTION A-A
SCALE: 2:1
(SECTION SHOWN WITH SEAL CAP REMOVED)



SECTION B-B
SCALE: 2:1
(SECTION SHOWN WITH SEAL CAP REMOVED)



CLUTCH SPECIFICATIONS (REF)

RATED VOLTAGE	24V
MINIMUM BREAKAWAY TORQUE	34Nm
MINIMUM ENGAGEMENT VOLTAGE	16V
MAXIMUM POWER CONSUMPTION	34 W
BELT TYPE	A2
MAXIMUM ALLOWABLE BELT TENSION	588 N
PULLEY DIAMETER	Ø125 mm
CLUTCH TYPE	HEAVY DUTY

REV. A	RELEASED FOR PRODUCTION	DATE	02/12/08	APPV.	E. ARRETTA
REV. B	DESIGN VALIDATION	DATE	02/12/08	APPV.	E. ARRETTA
REV. C	RELEASED FOR PRODUCTION	DATE	04/07/08	APPV.	E. ARRETTA

SANDEN
METRIC

The drawings and the technical specifications are the property of Sanden International (USA), Inc. and are provided in confidence and shall not be used for any other purpose without the written permission of Sanden International (USA), Inc.

INTERPRETATION OF THIS DRAWING PER ASME Y14.3M-1994

THIRD ANGLE PROJECTION

NAME: SD7H15 ENHANCED CAPACITY COMPRESSOR

DWG. NO: 4093-6000

DDI NOT SCALE