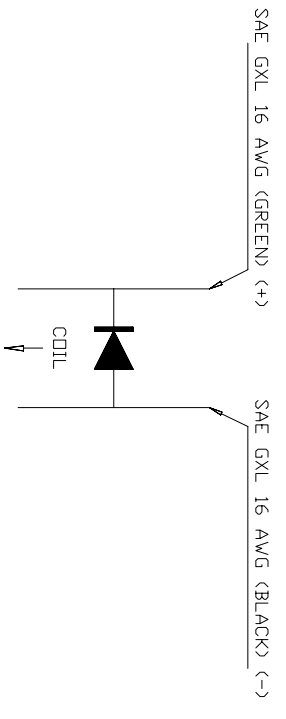
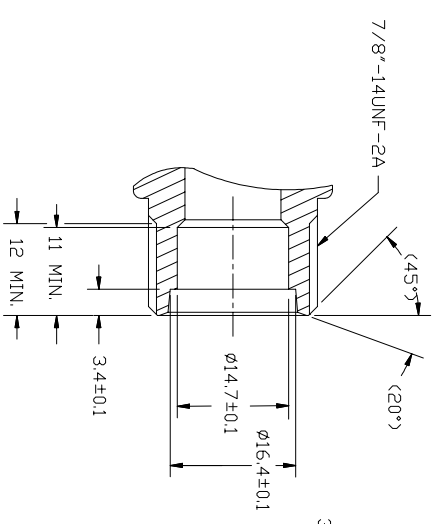


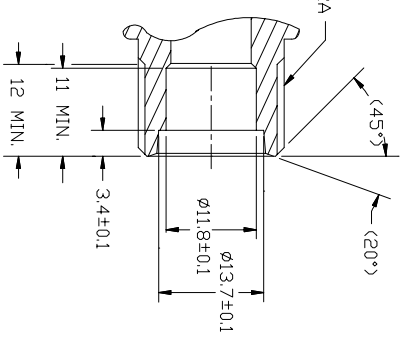
PDM	REV.	DATE	REVISIONS	DWG	CHK	APPV
			INITIAL RELEASE			



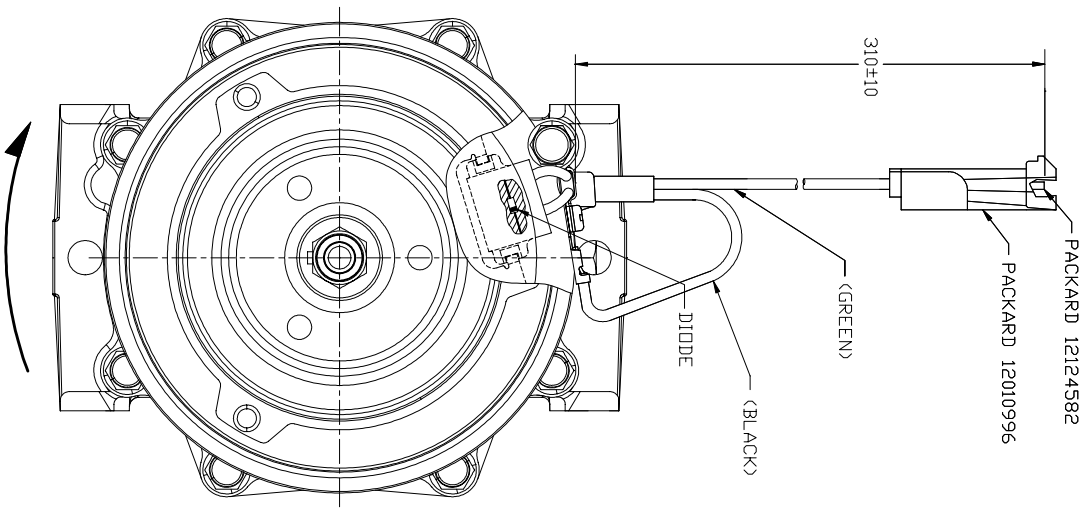
DIODE POLARITY



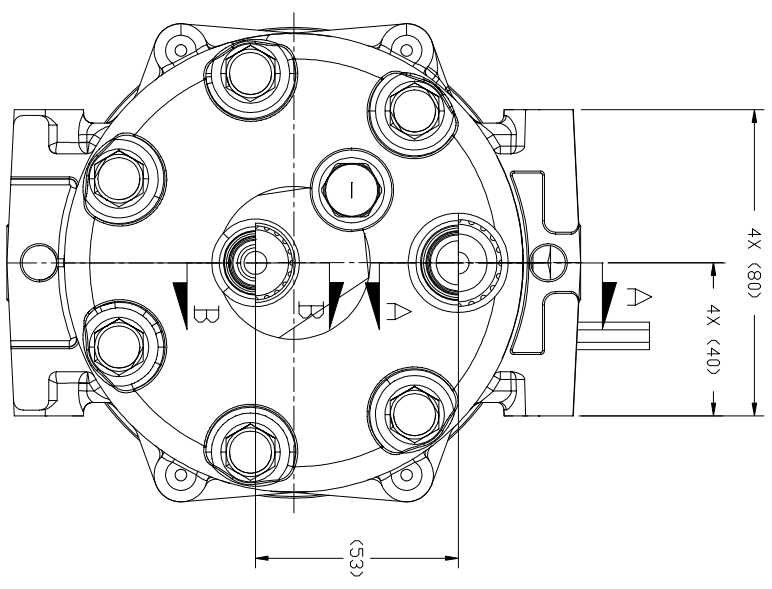
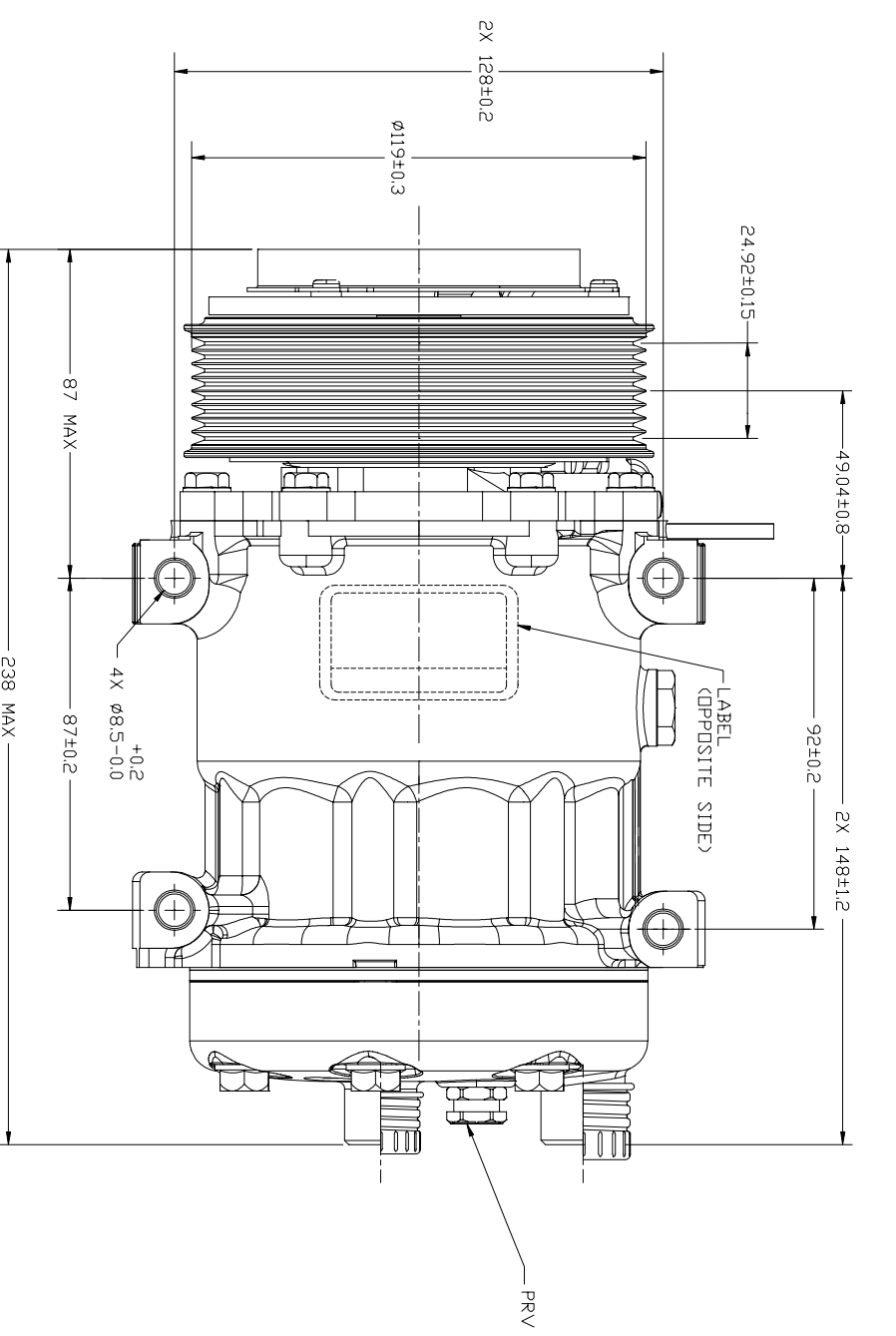
SECTION A-A
SCALE: 2:1



SECTION B-B
SCALE: 2:1



CLOCKWISE ROTATION



COMPRESSOR SPECIFICATIONS (REF)

DISPLACEMENT PER REVOLUTION	155 CC
MAXIMUM ALLOWABLE RPM	8000 RPM
MAXIMUM ALLOWABLE CONTINUOUS RPM	6000 RPM
REFRIGERANT	R134a
DIL (SP-15)	240 ±10 CC

CLUTCH SPECIFICATIONS (REF)

RATED VOLTAGE	12V
BREAKAWAY TORQUE	34 Nm
MINIMUM ENGAGEMENT VOLTAGE	7.5V
MAXIMUM POWER CONSUMPTION	49 W
BELT TYPE	PV8
MAXIMUM ALLOWABLE BELT TENSION	1177 N
PULLEY DIAMETER	119 mm
CLUTCH TYPE	SUPER HEAVY DUTY

REV. LEVEL	RELEASED FOR: ENGR. DEVELOPMENT	DATE	REV. LEVEL	DATE	REV. LEVEL	DATE
A	DSSN A. AMENDIGARIZ		A		A	
A	DSSN S. MARGAJA		A		A	
A	DSSN E. AMBIELTA		A		A	
A	DSSN A. AMENDIGARIZ		A		A	
A	DSSN A. AMBIELTA		A		A	
A	DSSN A. AMENDIGARIZ		A		A	
A	DSSN R. MARTINEZ		A		A	
A	DSSN R. MARTINEZ		A		A	

D0 NOT SCALE
 A
 D0 NOT SCALE
 A

DWG NO. 4086-6000
 REV A

SANDEN
 SANDEN INTERNATIONAL (U.S.A.) INC.
 DRAWN REF: 1:1 PLOTTED REF: 1:1 METRIC
 SCALE REF: 1:1
 This drawing and the information contained herein are the property of Sanden International (U.S.A.), Inc. and shall not be used, copied, or disclosed to others without the written permission of Sanden International (U.S.A.), Inc.
 INTERPRETATION OF THIS DRAWING PER ASME Y14.5M-1994
 THIRD ANGLE PROJECTION
 COMPRESSOR
 SIZE D