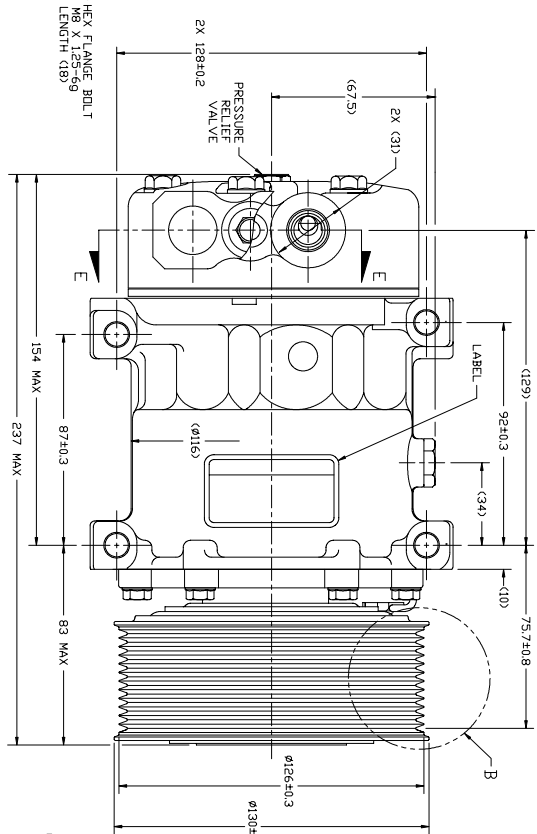
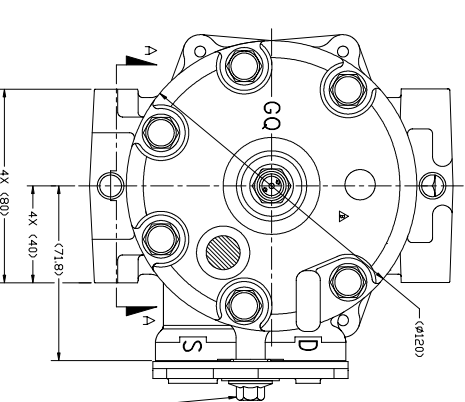
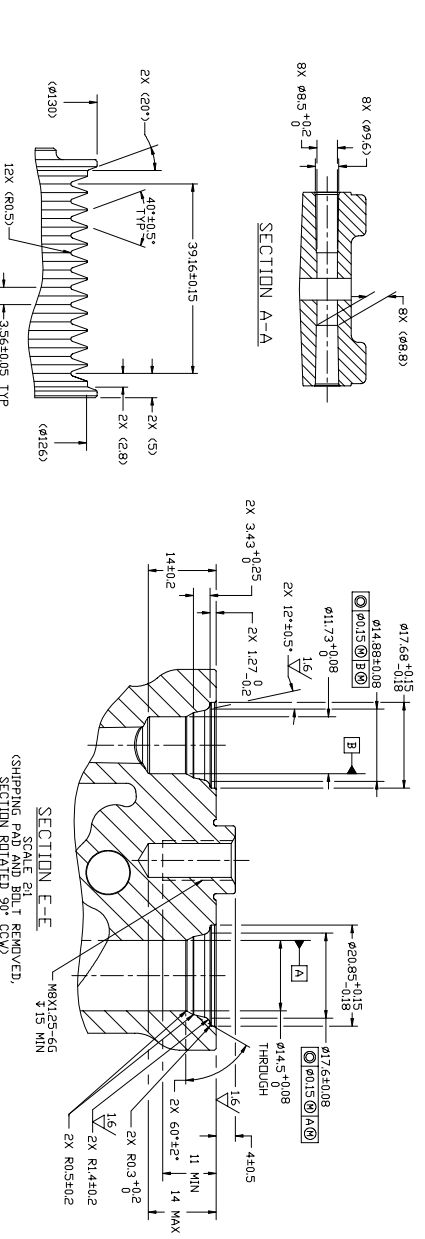
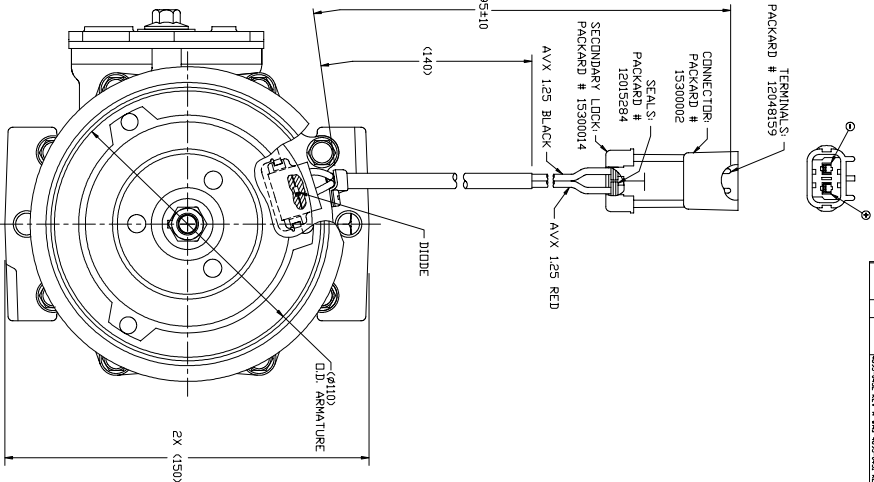
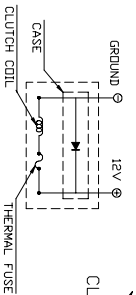


REV	BY	CHK	DATE	DESCRIPTION
1	AW	AW	06/11/93	INITIAL ISSUE
2	AW	AW	06/11/93	REVISED TO SHOW WELDED CONNECTIONS
3	AW	AW	06/11/93	REVISED TO SHOW WELDED CONNECTIONS



CLOCKWISE ROTATION

CIRCUIT DIAGRAM FOR REFERENCE



COMPRESSOR SPECIFICATIONS (REF)

DISPLACEMENT PER REVOLUTION	155 CC
MAXIMUM ALLOWABLE RPM	6000 RPM
MINIMUM CONTINUOUS RPM	4000 RPM
REF RIGIDRANT	R134a
DR. (SP-15)	300 CC

CLUTCH SPECIFICATIONS (REF)

RATED VOLTAGE	12V
BREAKAWAY TORQUE	34 Nm
MINIMUM ENGAGEMENT VOLTAGE	7.5V
MAXIMUM POWER CONSUMPTION	49 W
BELT TYPE	PVIZ
MAXIMUM ALLOWABLE BELT TENSION	1177 N
POULET DIAMETER	Ø126 mm
CLUTCH TYPE	SUPER HEAVY DUTY

DD NOT SCALE

REV	BY	CHK	DATE	DESCRIPTION
1	AW	AW	06/11/93	INITIAL ISSUE
2	AW	AW	06/11/93	REVISED TO SHOW WELDED CONNECTIONS
3	AW	AW	06/11/93	REVISED TO SHOW WELDED CONNECTIONS

SANDEN

QUALITY SYSTEMS
SANDEN INTERNATIONAL, KEESAU, NY
SANDEN USA, INC., KEESAU, NY
SANDEN EUROPE LTD., KEESAU, NY

MODEL NO. 4078-6000

COMPRESSOR