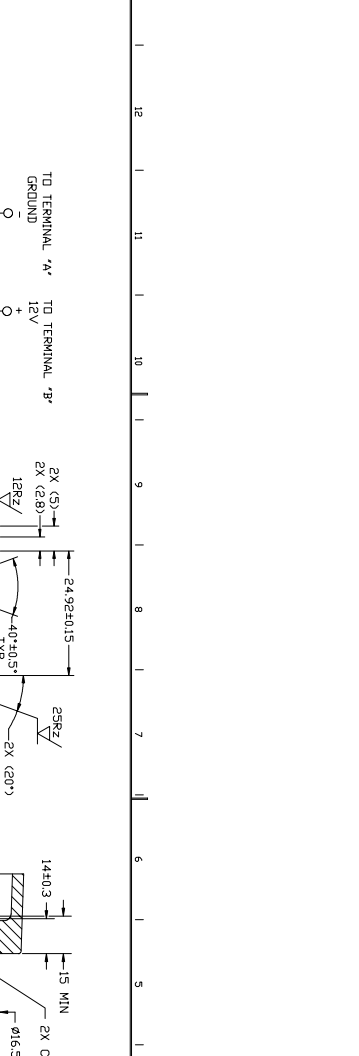
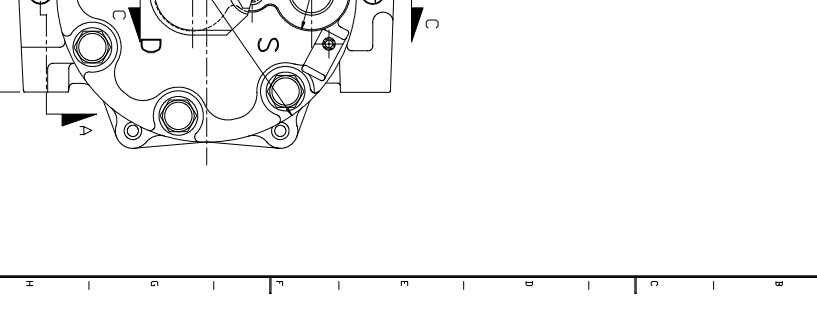
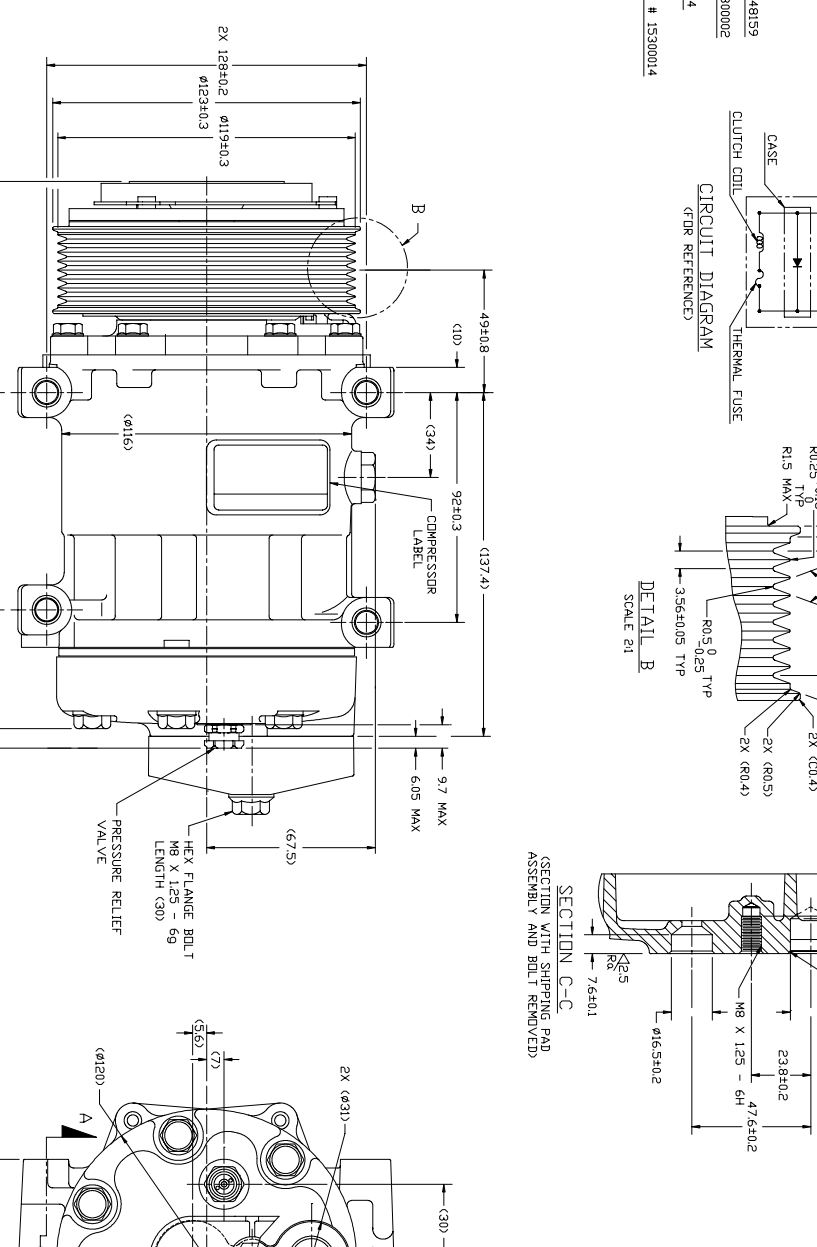
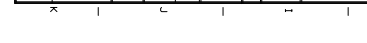
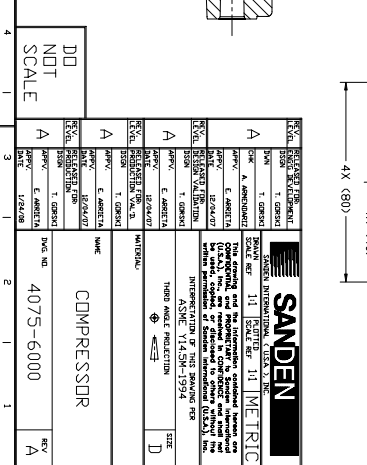
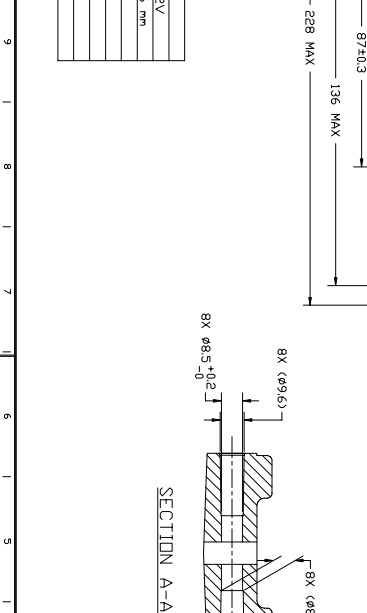


COMPRESSOR SPECIFICATIONS (REF.)

DISPLACEMENT PER REVOLUTION	155 cc
MAXIMUM ALLOWABLE RPM	8000 RPM
MAXIMUM ALLOWABLE CONTINUOUS RPM	6000 RPM
REFRIGERANT	R134a
DIL (SP-15)	300 CC

CLOCKWISE ROTATION



DD
NOT
SCALE

REV	DATE	BY	CHK
1	1/24/08	E. ANDRETTA	D. ANDRETTA

SANDEN
 SYSTEMS INTERNATIONAL CORPORATION
 1511 SOUTH ST. ST. LOUIS, MO 63104
 TEL: (314) 644-2000 FAX: (314) 644-4444
 WWW.SANDEN.COM

REV: 1
DATE: 1/24/08

COMPRESSOR

PDR. NO. 4075-6000