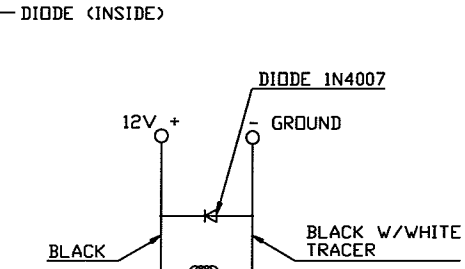
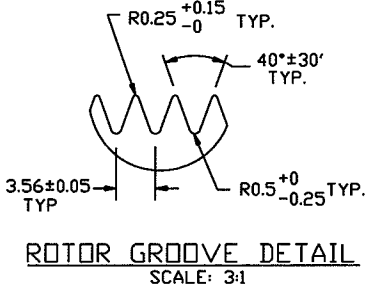


PDCN	REV.	DATE	REVISIONS	DVN	CHK	APPV
	△		INITIAL RELEASE			
2007256	△	10/5/07	ADDING 2XCS DIM TO ROTOR & CHANGE DIM ON CYL. PORTS SHIPPING CAPS ON COMP. VIEW	MB	EMA	EMA

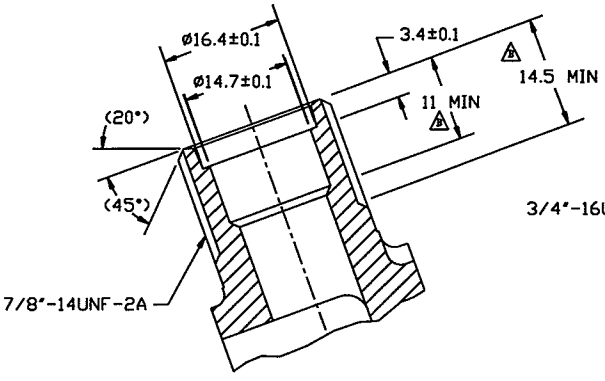
HOUSING: PACKARD # 12015791  
 TERMINAL: PACKARD # 12124580



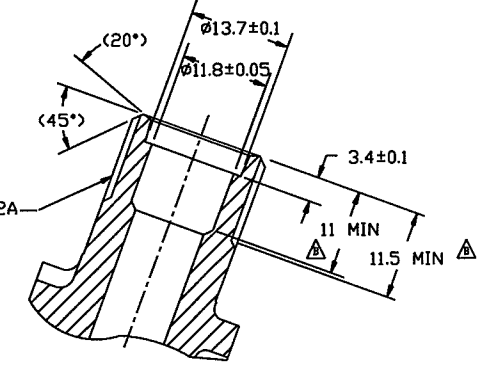
CIRCUIT DIAGRAM  
(FOR REFERENCE)



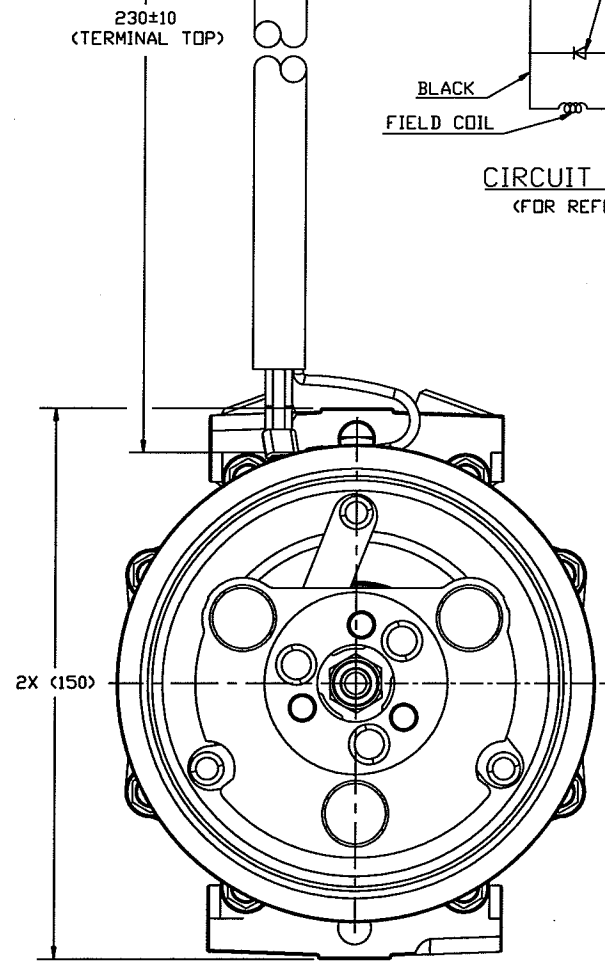
ROTOR GROOVE DETAIL  
SCALE: 3:1



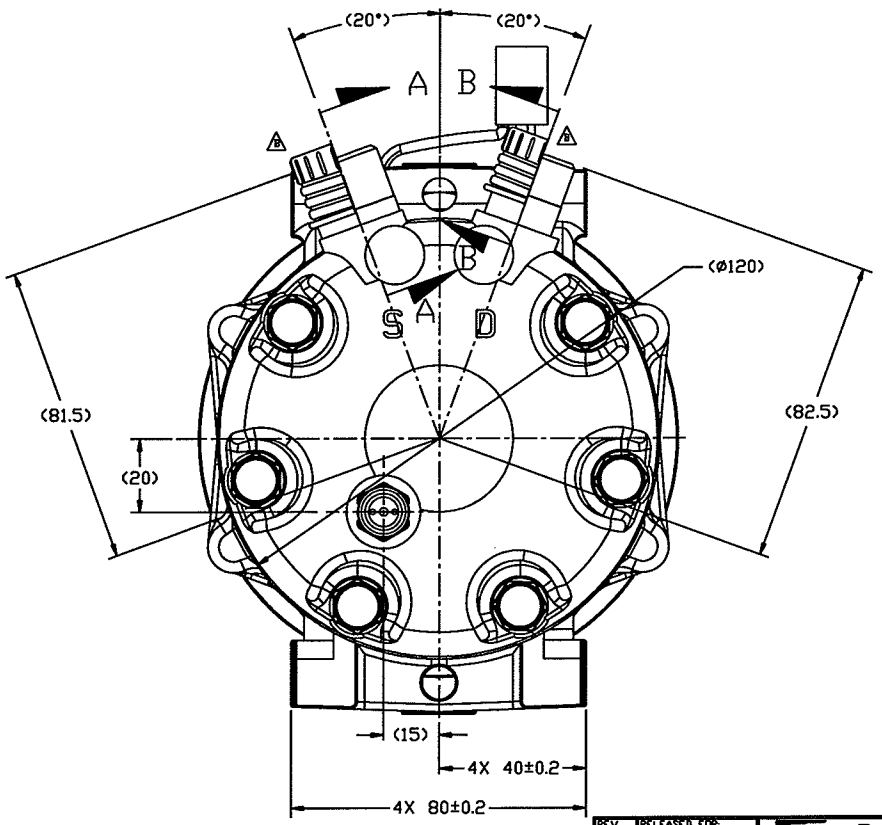
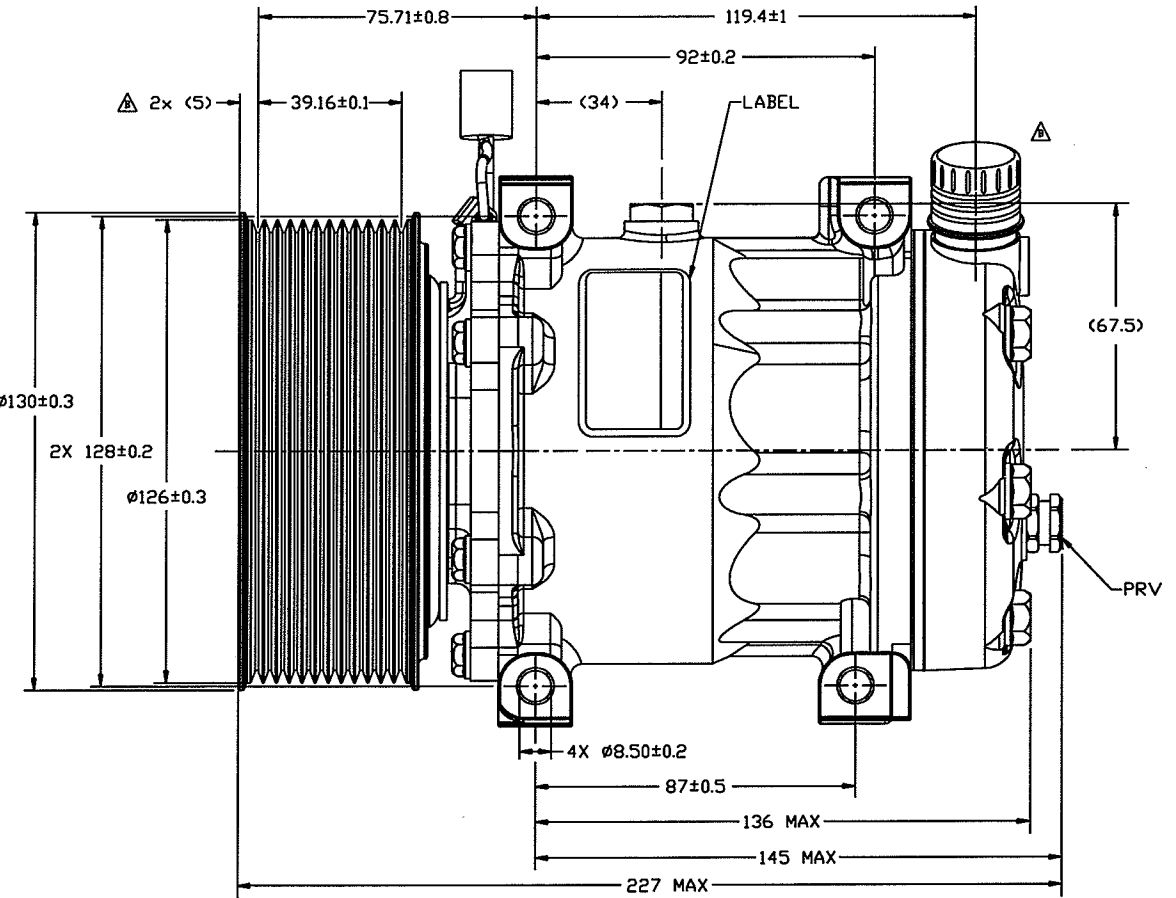
SECTION A-A  
(SECTION SHOWN WITH SEAL CAP REMOVED)  
SCALE: 2:1



SECTION B-B  
(SECTION SHOWN WITH SEAL CAP REMOVED)  
SCALE: 2:1



CLOCKWISE ROTATION



COMPRESSOR SPECIFICATIONS (REF)

DISPLACEMENT PER REVOLUTION	154.9 cc / rev. ( 9.5cu.in. / rev. )
MAXIMUM ALLOWABLE R.P.M.	8000 R.P.M.
MAXIMUM ALLOWABLE CONTINUOUS R.P.M.	6000 R.P.M.
REFRIGERANT	R134a
OIL ( SP-15 )	300 ± 10cc ( 10.1 fl.oz. )
COMPRESSOR WEIGHT	14lbs
CUSTOMER PART NUMBER	TBA

CLUTCH SPECIFICATIONS (REF)

RATED VOLTAGE	DC 12V
BREAKAWAY TORQUE	3.5 kgf-m min. @ 12V
MINIMUM ENGAGEMENT VOLTAGE	7.5V @ AIR GAP 0.6mm
POWER CONSUMPTION	49 watts max.
BELT TYPE	PV12 TYPE
MAXIMUM ALLOWABLE BELT TENSION	120 kgf
PULLEY DIAMETER	Ø126mm ( 4.96 in. )
CLUTCH TYPE	HEAVY DUTY

DO NOT SCALE

REV. LEVEL	RELEASED FOR:	SCALE	REF	PLOTTED	SCALE	REF	METRIC
DESIGN	RELEASED FOR: ENGR. DEVELOPMENT						
DESIGN	DESIGN: M. Balthazar						
DRAWN	DRAWN: M. Balthazar	1:1					
CHK	CHK: Dennis Lee						
APPV.	APPV.: E. Arrieta						
DATE	DATE: 10/05/07						
DESIGN VALIDATION	RELEASED FOR: DESIGN VALIDATION						
DESIGN	DESIGN: M. Balthazar						
APPV.	APPV.:						
DATE	DATE:						
PRODUCTION VAL'D.	RELEASED FOR: PRODUCTION VAL'D.						
DESIGN	DESIGN: M. Balthazar						
APPV.	APPV.:						
DATE	DATE:						
PRODUCTION	RELEASED FOR: PRODUCTION						
DESIGN	DESIGN: M. Balthazar						
APPV.	APPV.:						
DATE	DATE:						
MATERIAL:		INTERPRETATION OF THIS DRAWING PER		ASME Y14.5M-1994		SIZE	
NAME		THIRD ANGLE PROJECTION		D			
COMPRESSOR							
DWG. NO.		A07YS-6000		REV		B	