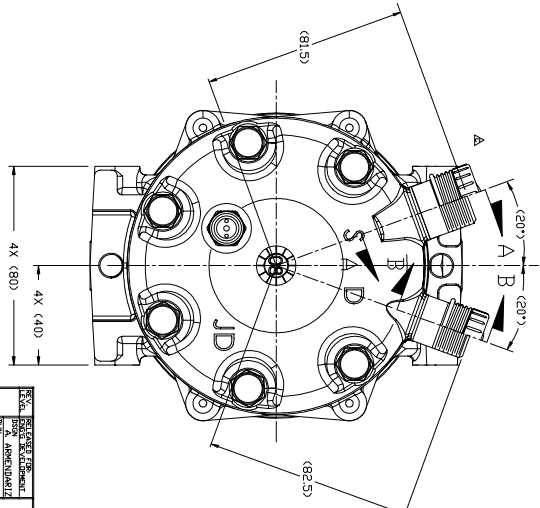
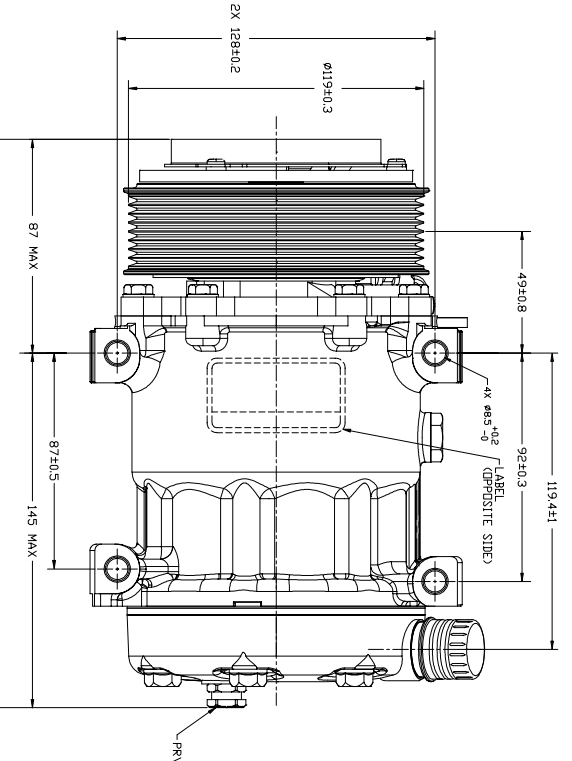
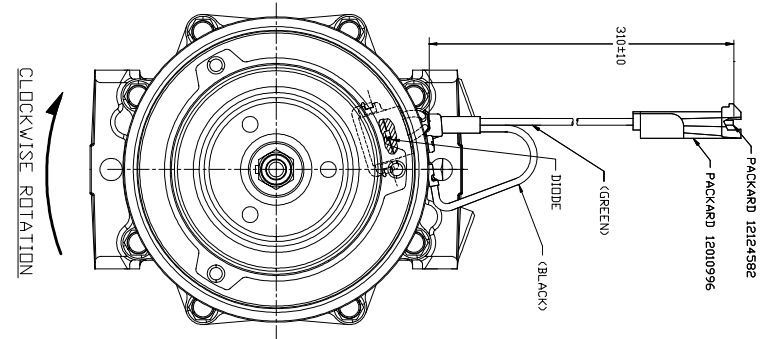
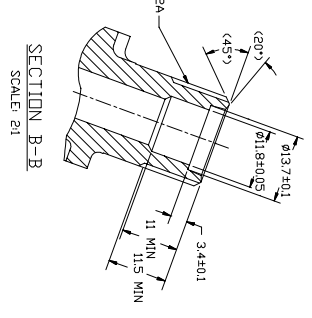
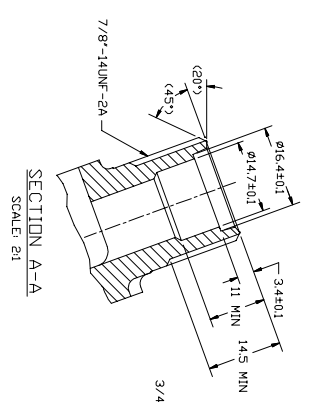
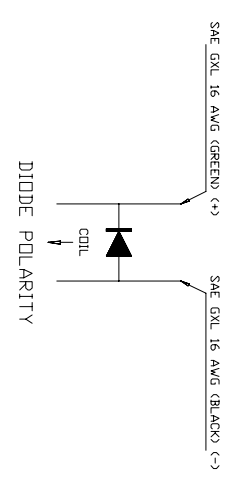


REV	DATE	BY	CHK	APP	DESCRIPTION
1	4/20/08	JD	SM	SM	INITIAL RELEASE
2	7/20/08	JD	SM	SM	UPDATES TO REFLECT MISTAKE IN SECTION B. C.D. AND 4069-6000



**CLOCKWISE ROTATION**

**COMPRESSOR SPECIFICATIONS (REF)**

DISPLACEMENT PER REVOLUTION	154.9 CC
MAXIMUM ALLOWABLE RPM	8000 RPM
MAXIMUM ALLOWABLE CONTINUOUS RPM	6000 RPM
REFRIGERANT	R134a
OIL ( SP-15 )	240±10 CC

**CLUTCH SPECIFICATIONS (REF)**

RATED VOLTAGE	12V
MINIMUM BREAKAWAY TORQUE	34 Nm
MINIMUM ENGAGEMENT VOLTAGE	7.5V
MAXIMUM POWER CONSUMPTION	49 W
BELT TYPE	PV8
MAXIMUM ALLOWABLE BELT TENSION	1177 N
PULLEY DIAMETER	Ø119 mm
CLUTCH TYPE	SUPER HEAVY DUTY

**SANDEN**  
METRIC

1:1 METRIC

COMPRESSOR

4069-6000

DD NOT SCALE