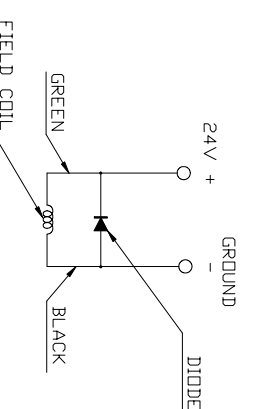
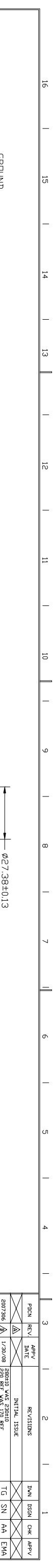
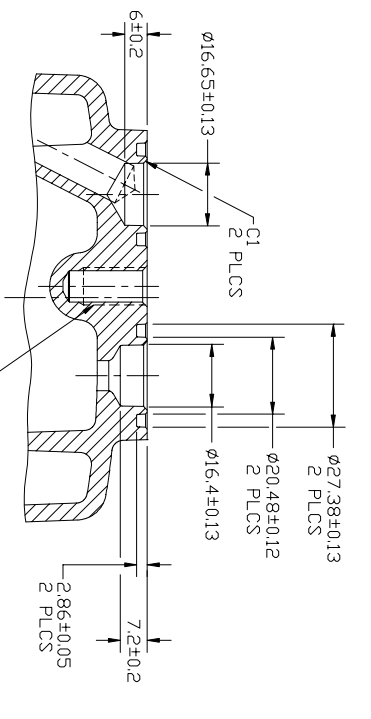


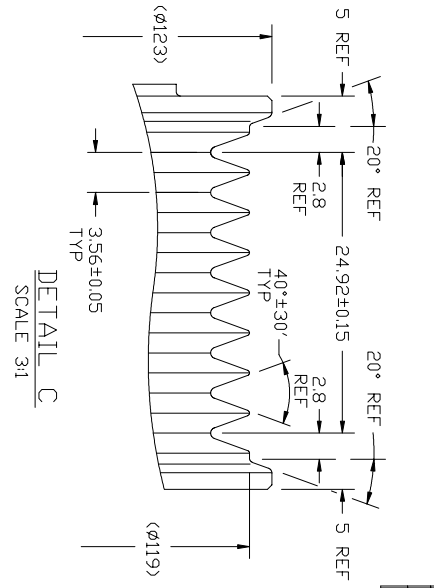
PNCH	REV	APPV	DATE	REVISIONS	DATE	APPV
2007306	A		1/30/08	ISSUED FOR PRODUCTION		



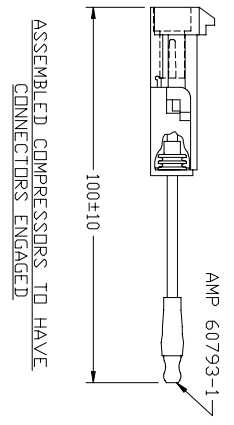
CIRCUIT DIAGRAM



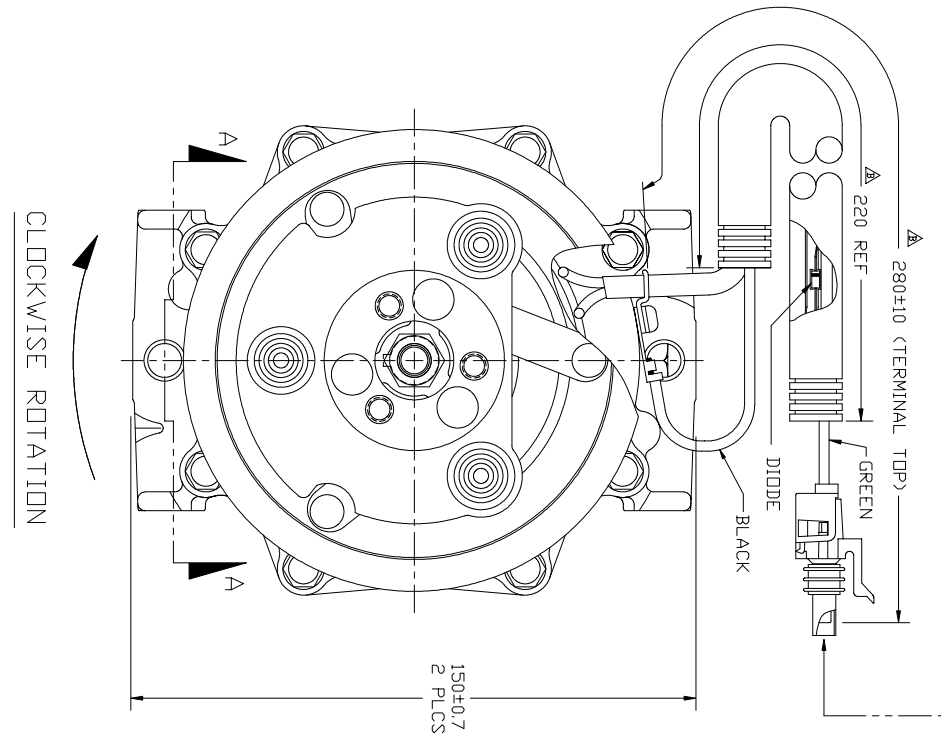
SECTION B-B  
(SECTION WITH O-RINGS, SHIPPING PAD ASSEMBLY, AND BOLT REMOVED)



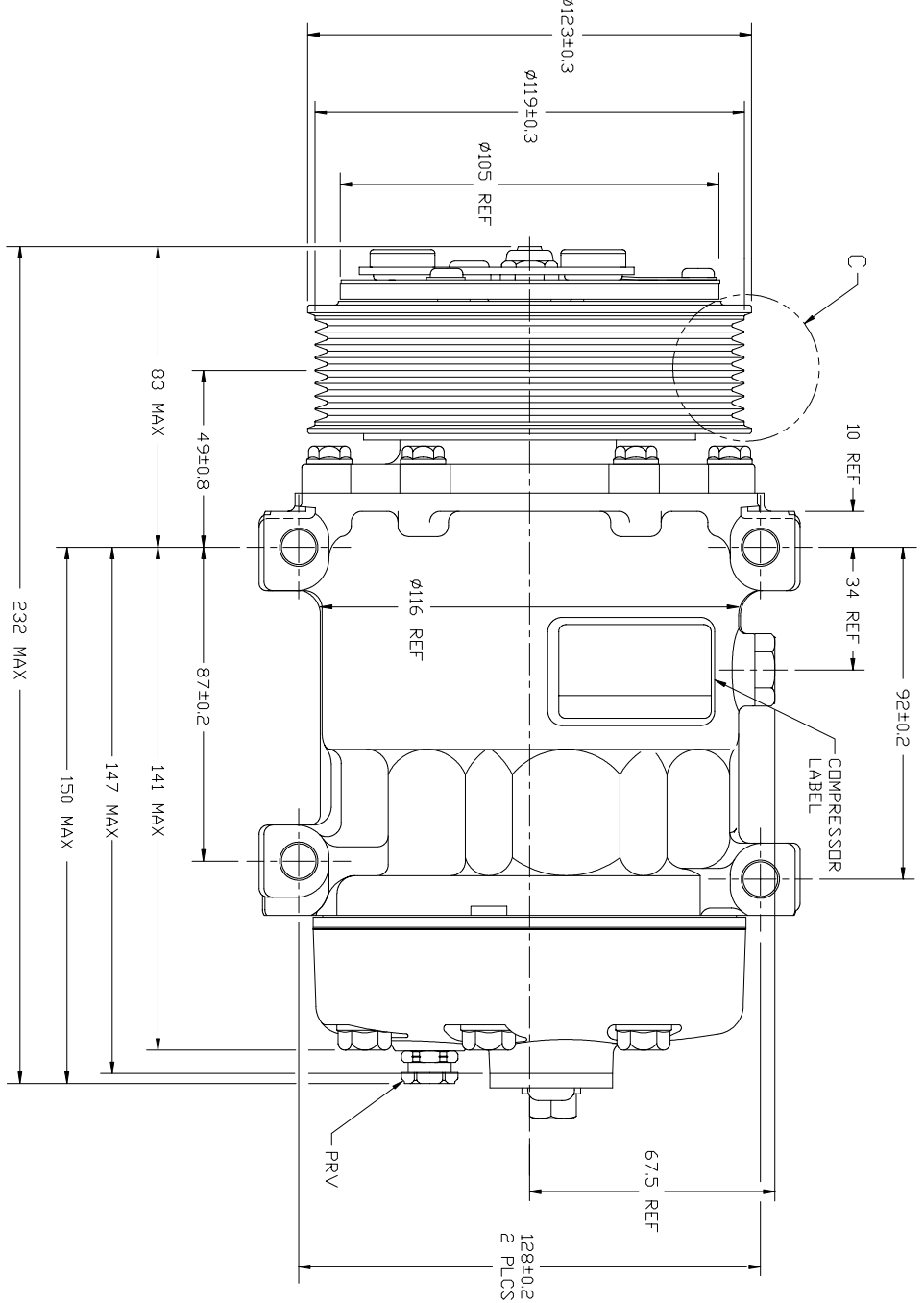
DETAIL C  
SCALE 3:1



AMP 60793-1  
ASSEMBLED COMPRESSORS TO HAVE CONNECTORS ENGAGED



CLOCKWISE ROTATION

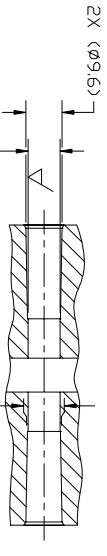


COMPRESSOR SPECIFICATIONS (REF)

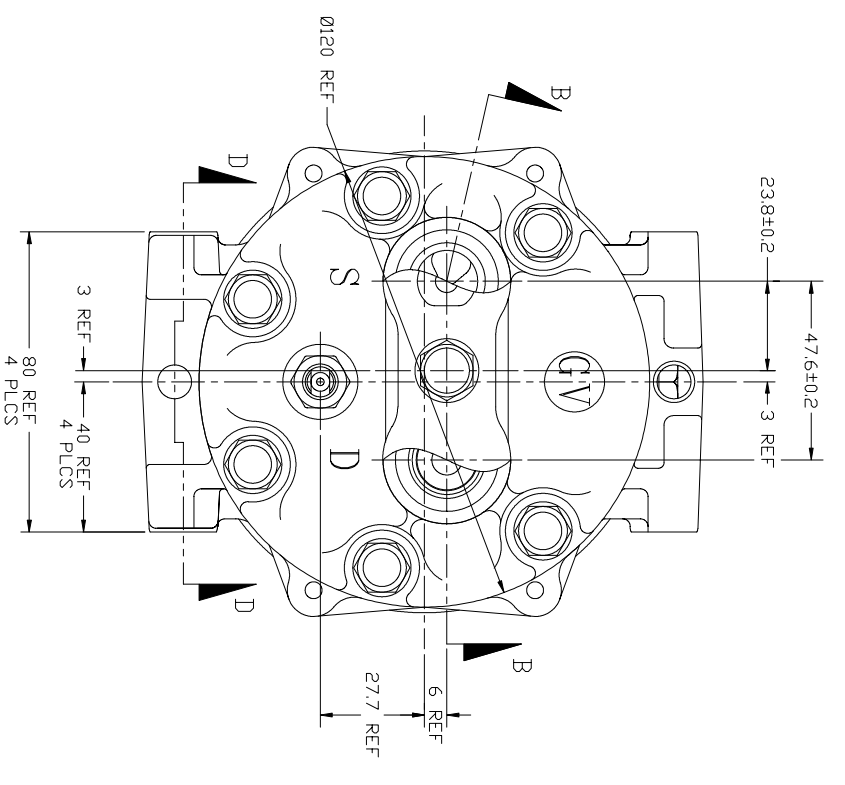
DISPLACEMENT PER REVOLUTION	154.9 cc / rev. ( 9.5cuin. / rev. )
MAXIMUM ALLOWABLE R.P.M.	8000 R.P.M.
MAXIMUM ALLOWABLE CONTINUOUS R.P.M.	6000 R.P.M.
REFRIGERANT	R134a
OIL ( SP-15 )	300 CC ( 10.1 fl.oz. )

CLUTCH SPECIFICATIONS (REF)

RATED VOLTAGE	DC 24V
BREAKAWAY TORQUE	3.5 kgf·m min. @ 24V
MINIMUM ENGAGEMENT VOLTAGE	16V @ AIR GAP 0.6mm REF
POWER CONSUMPTION	34 watts max.
BELT TYPE	PV8 TYPE
MAXIMUM ALLOWABLE BELT TENSION	120 kgf
PULLEY DIAMETER	Ø119mm (4.69 in.)
CLUTCH TYPE	HEAVY DUTY



SECTION D-D  
4 PLACES



REV	DATE	BY	CHK	APPV	DESCRIPTION	SCALE	SIZE
A	02/13/08	Shida Mognaj	Teress Goyshi	EM-Arrieta	RELEASED FOR PRODUCTION	1:1	D
B	02/13/08	Shida Mognaj	Teress Goyshi	EM-Arrieta	RELEASED FOR PRODUCTION	1:1	D
B	04/07/08	E. ARRIETA		ARRENDEKATZ	RELEASED FOR PRODUCTION	1:1	D
					3RD ANGLE PROJECTION		

**SANDEN**  
CORPORATION

THIS DRAWING AND THE INFORMATION CONTAINED HEREON ARE THE PROPERTY OF SANDEN INTERNATIONAL (U.S.A.) INC. NO PART OF THIS DRAWING IS TO BE REPRODUCED OR TRANSMITTED IN ANY FORM OR BY ANY MEANS, ELECTRONIC OR MECHANICAL, WITHOUT PERMISSION OF SANDEN INTERNATIONAL (U.S.A.) INC.

COMPRESSOR, SD7H15  
ENHANCED CAPACITY

4066-6000