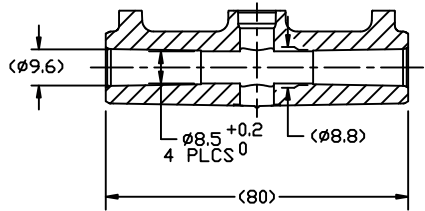
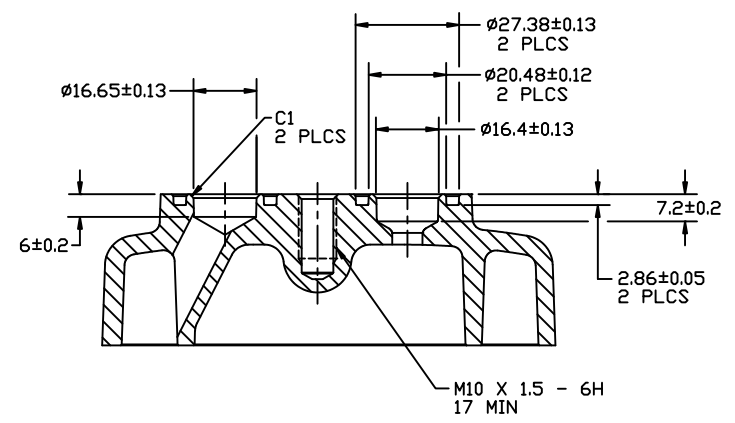


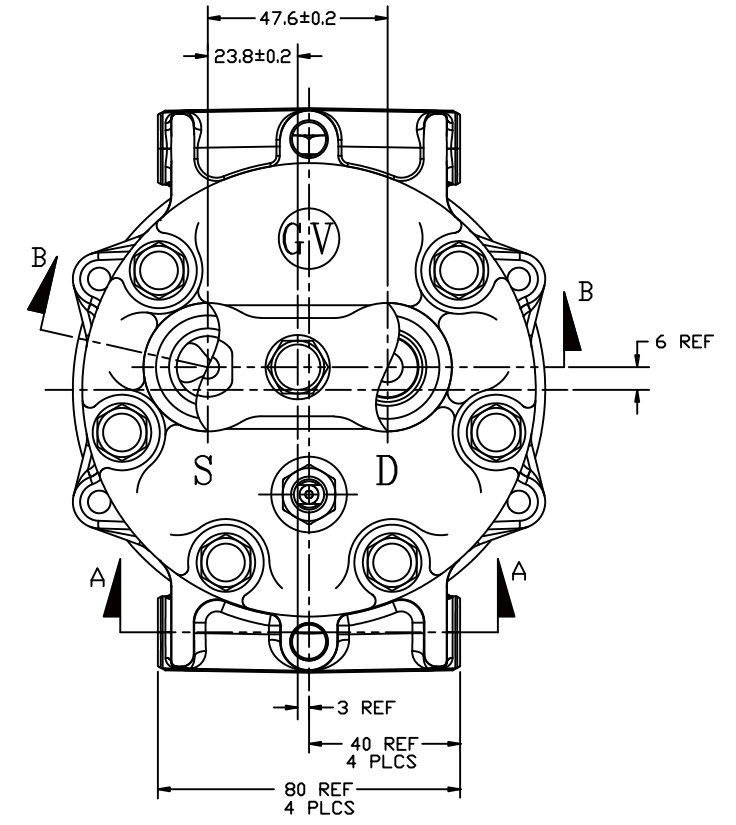
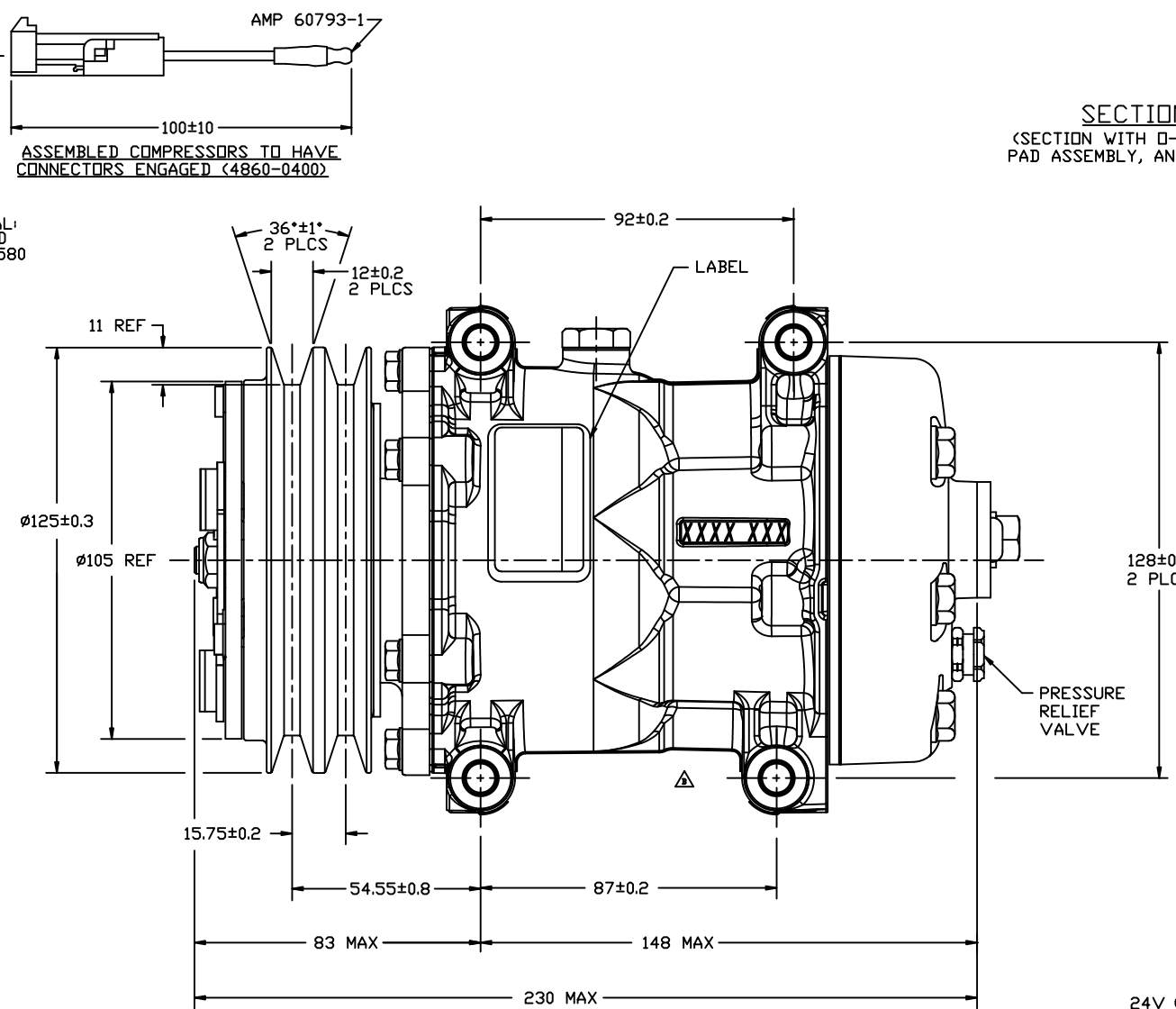
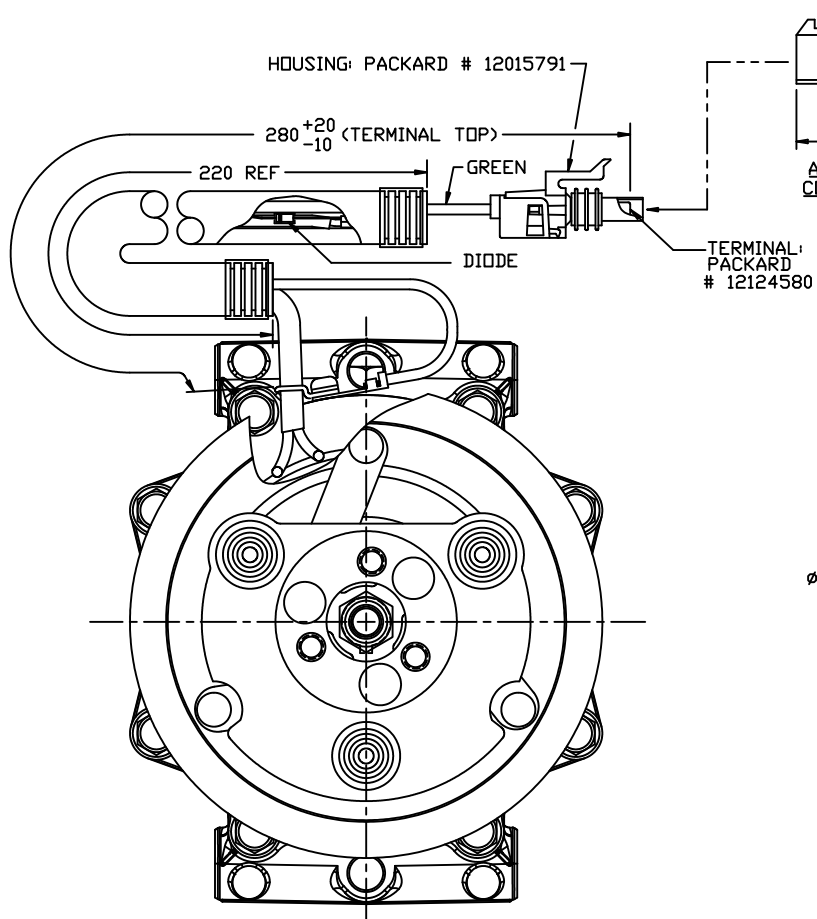
PDCN	REV	APPV DATE	REVISIONS	DWN	DSGN	CHK	APPV
9877	A	4/3/12	INITIAL ISSUE	NB	NB	RR	HF



SECTION A-A



SECTION B-B  
(SECTION WITH O-RINGS, SHIPPING PAD ASSEMBLY, AND BOLT REMOVED)



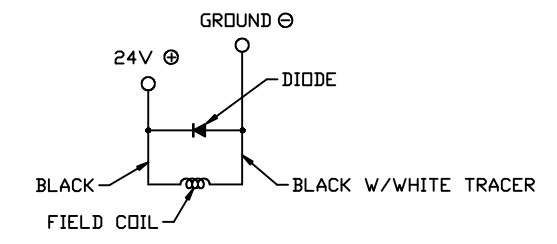
CLOCKWISE ROTATION

COMPRESSOR SPECIFICATIONS (REF)

DISPLACEMENT PER REVOLUTION	154.9 cc/REV
MAXIMUM ALLOWABLE R.P.M.	8000 RPM
MAXIMUM ALLOWABLE CONTINUOUS R.P.M.	6000 RPM
REFRIGERANT	R134a
OIL ( SP-15 )	300 cc
WEIGHT	7.6 kg

CLUTCH SPECIFICATIONS (REF)

RATED VOLTAGE	DC 24V
BREAKAWAY TORQUE	3.5 kgf-m min. @ 12V
MINIMUM ENGAGEMENT VOLTAGE	7.5V @ AIR GAP 0.6mm REF
POWER CONSUMPTION	49 W MAX
BELT TYPE	A2
MAXIMUM ALLOWABLE BELT TENSION	120 kgf/BELT
PULLEY DIAMETER	ø125 mm
CLUTCH TYPE	HEAVY DUTY



CIRCUIT DIAGRAM

DO NOT SCALE

REV. LEVEL	RELEASED FOR	DESIGN	DATE	APPV.	DATE
A	RELEASED FOR ENGR DEVELOPMENT	A. ARMENDARIZ		E. ARRIETA	08/21/07
A	RELEASED FOR DESIGN VALIDATION	A. ARMENDARIZ		E. ARRIETA	08/21/07
A	RELEASED FOR PRODUCTION VAL'D.	A. ARMENDARIZ		E. ARRIETA	08/21/07
A	RELEASED FOR PRODUCTION	A. ARMENDARIZ		E. ARRIETA	01/04/08

**SANDEN**  
SANDEN INTERNATIONAL (U.S.A.), INC.

DRAWN SCALE REF 1:1 PLOTTED SCALE REF 1:1 METRIC

INTERPRETATION OF THIS DRAWING PER ASME Y14.5M-1994  
THIRD ANGLE PROJECTION

MATERIAL:

NAME: COMPRESSOR SD7H15 ENHANCED CAPACITY

DWG. NO. 4052-6000 REV B