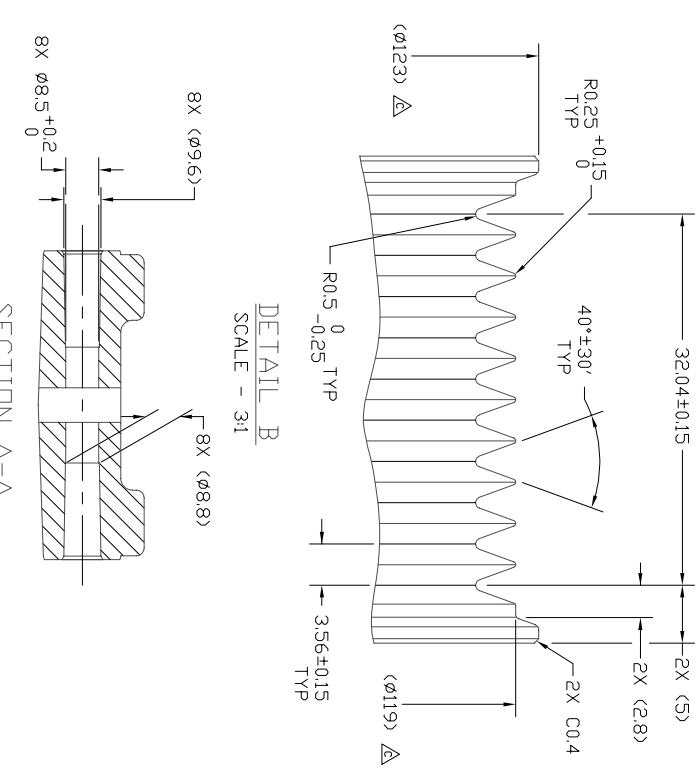
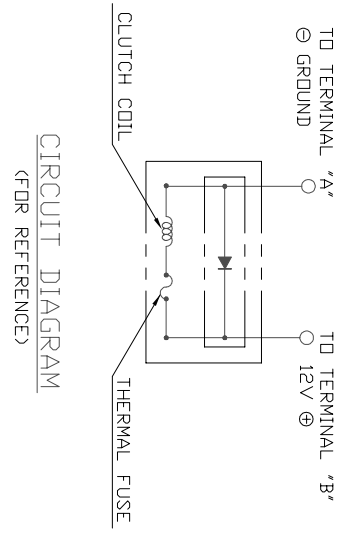
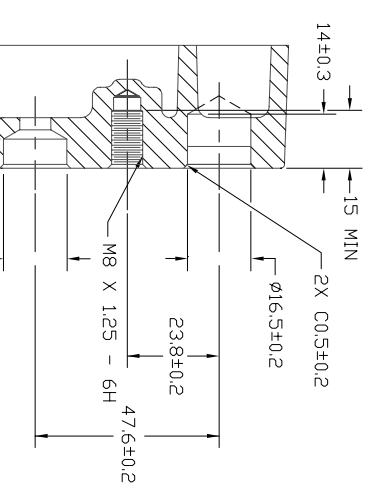
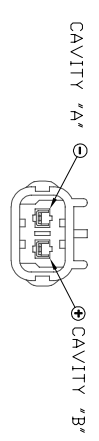
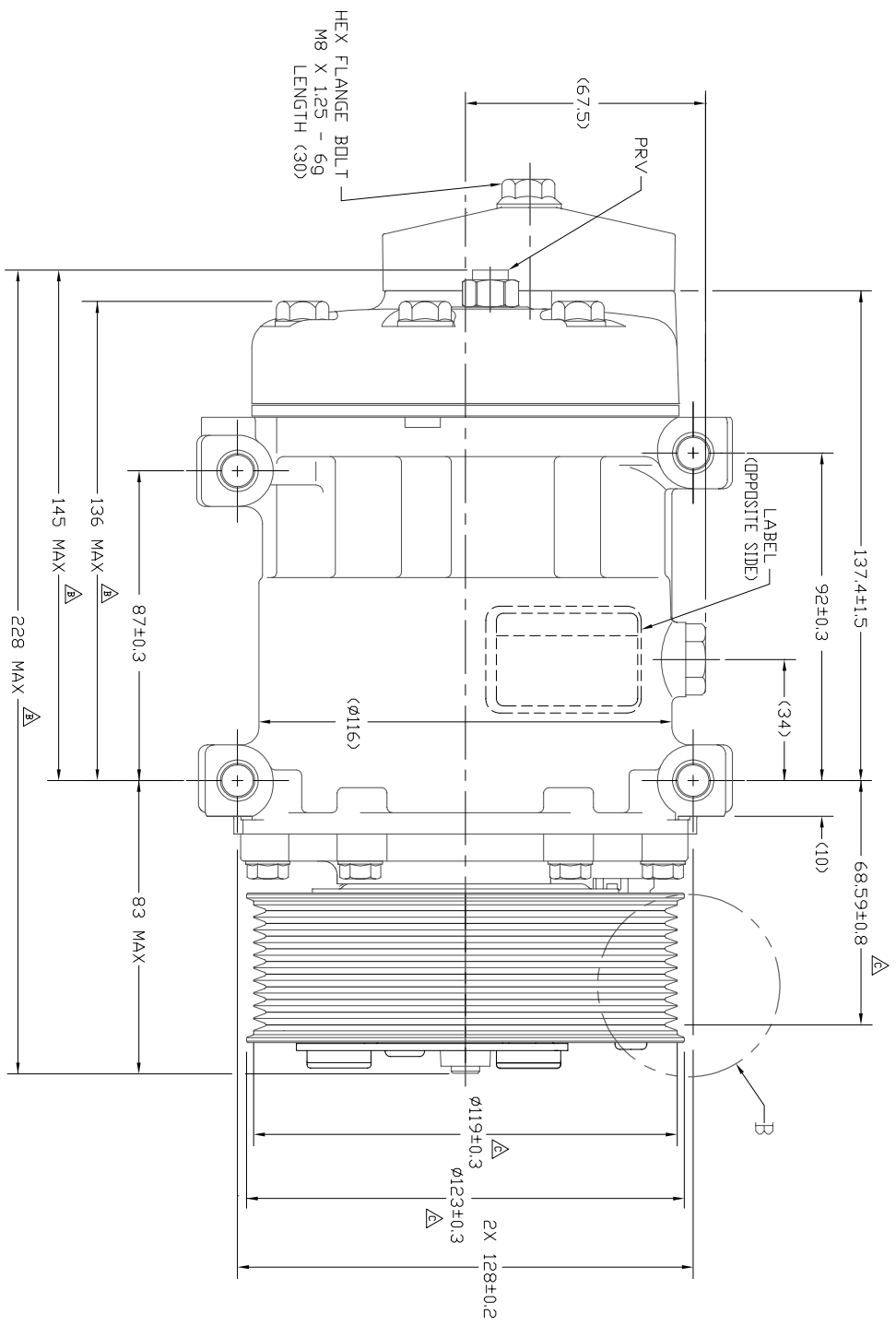
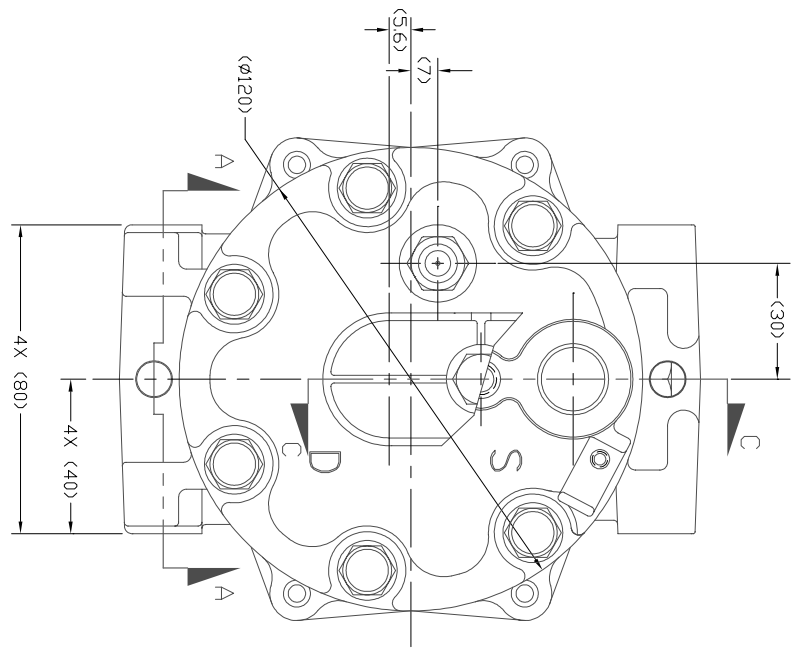


PN	REV	DATE	INITIAL RELEASE	DWN	DSGN	CHK	APRV
200712	A	6/04/07	156 MAX WAS 141 MAX, 148 MAX WAS 150 MAX, 228 MAX WAS 233 MAX	TG	SN	AA	EWA
2007145	A	6/22/07	91540.3 WAS 91541.3, 91529.3 WAS 91530.3, 91529.3 WAS 91320, 91159 WAS 91550	TG	SN	AA	EWA



SECTION A-A

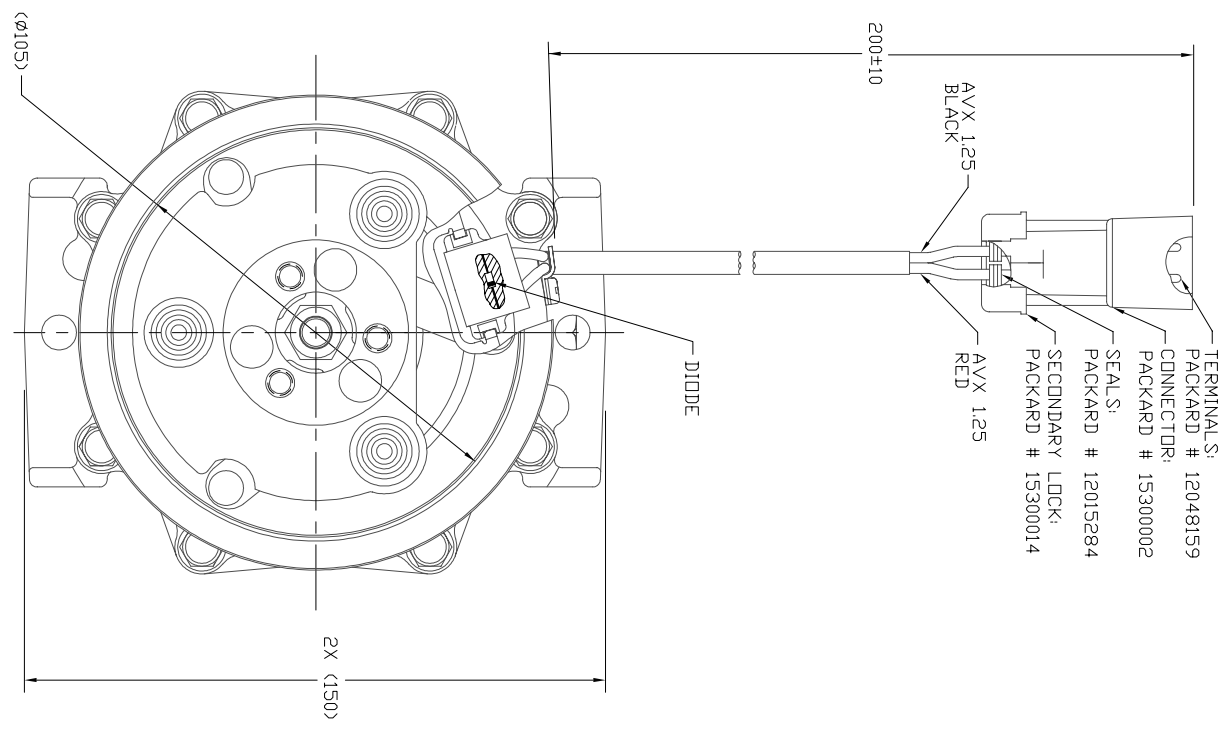


COMPRESSOR SPECIFICATIONS (REF)

DISPLACEMENT PER REVOLUTION	1549 CC / rev. (95cuin / rev.)
MAXIMUM ALLOWABLE R.P.M.	8000 R.P.M.
MAXIMUM ALLOWABLE CONTINUOUS R.P.M.	6000 R.P.M.
REFRIGERANT	R134a
OIL (SP-15)	300 CC (10.1 fl.oz.)
CUSTOMER PART NUMBER	TBD

CLUTCH SPECIFICATIONS (REF)

RATED VOLTAGE	DC 12V
BREAKAWAY TORQUE	3.5 kgf·m min. @ 12V
MINIMUM ENGAGEMENT VOLTAGE	7.5V @ AIR GAP 0.6mm
POWER CONSUMPTION	49 watts max.
BELT TYPE	PV10 TYPE
MAXIMUM ALLOWABLE BELT TENSION	120 kgf
PULLEY DIAMETER	Ø126 mm (4.96 in.)
CLUTCH TYPE	HEAVY DUTY



REV.	RELEASED FOR DISSEM.	SCALE	DATE	BY	CHK BY	APPR.	DATE	BY	CHK BY	APPR.	DATE
A	RELEASED FOR DISSEM.	1:1	4/10/07	Shimo Murofuji	Shimo Murofuji	Edvard Arratia	4/12/07	Shimo Murofuji	Shimo Murofuji	Edvard Arratia	5/2/07
	DESIGN VALIDATION					Edvard Arratia				Edvard Arratia	
	PRODUCTION					Edvard Arratia				Edvard Arratia	



SANDEN INTERNATIONAL (U.S.A.), INC.
SCALE REF: 1:1
UNIT: METRIC
This drawing and the information contained herein are CONFIDENTIAL and Proprietary to Sanden International (U.S.A.), Inc., and received in CONFIDENCE and shall not be used, copied, or reproduced in any way without the written permission of Sanden International (U.S.A.), Inc. INTERPRETATION OF THIS DRAWING PER ASME Y14.5M-1994

THIRD ANGLE PROJECTION
SIZE D

NAME: COMPRESSOR SD7H15
ENHANCED CAPACITY
DWG. NO.: 4036-6000
REV. C

DD NOT SCALE