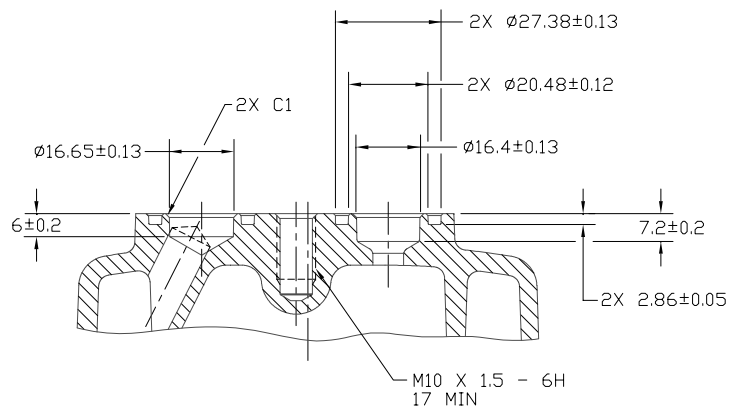
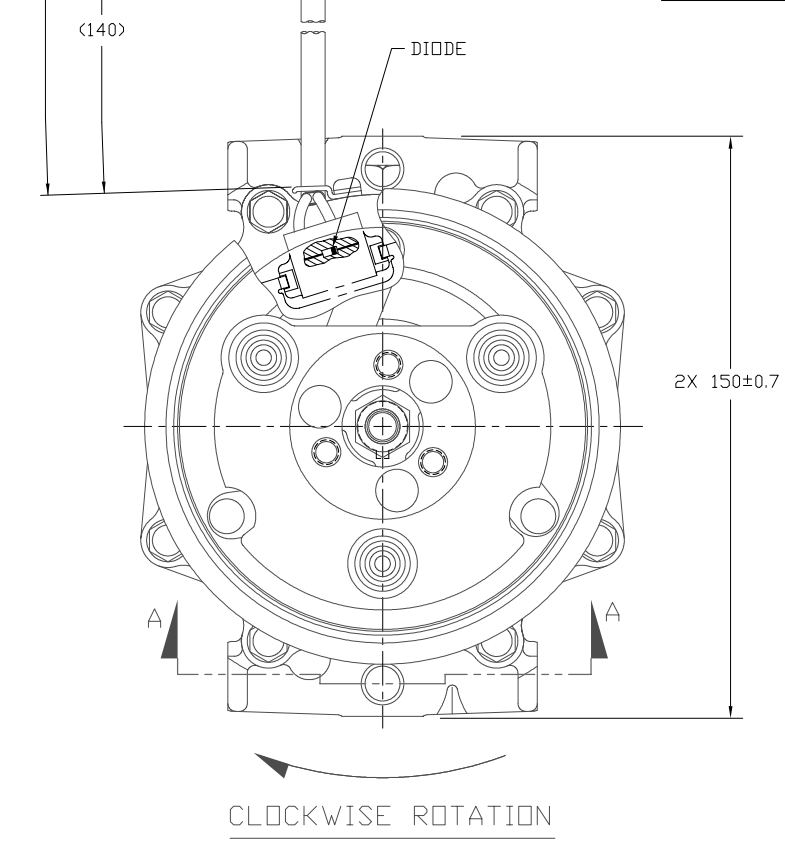


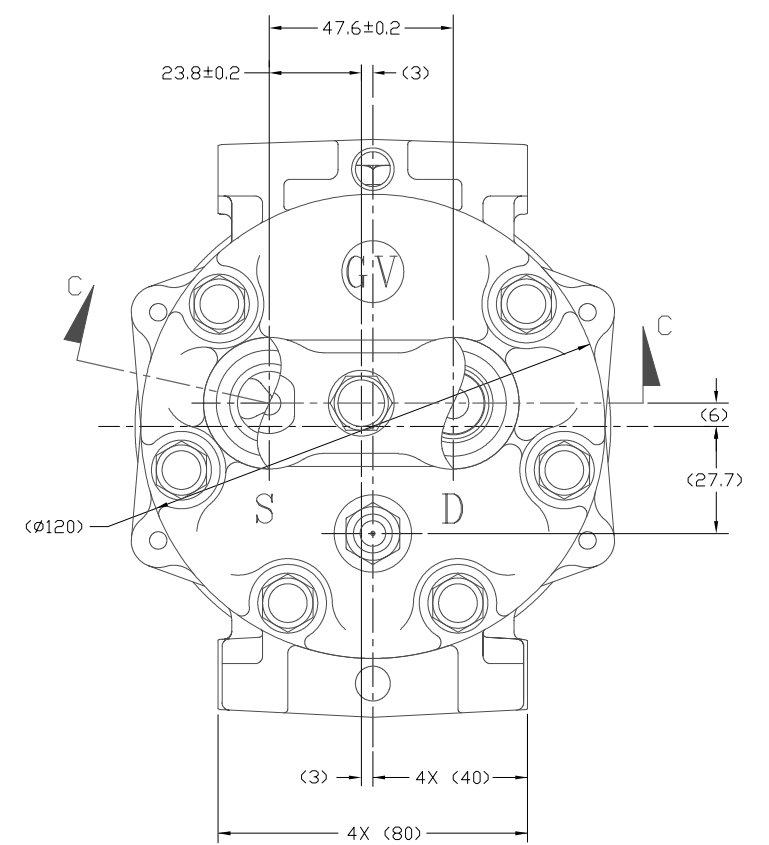
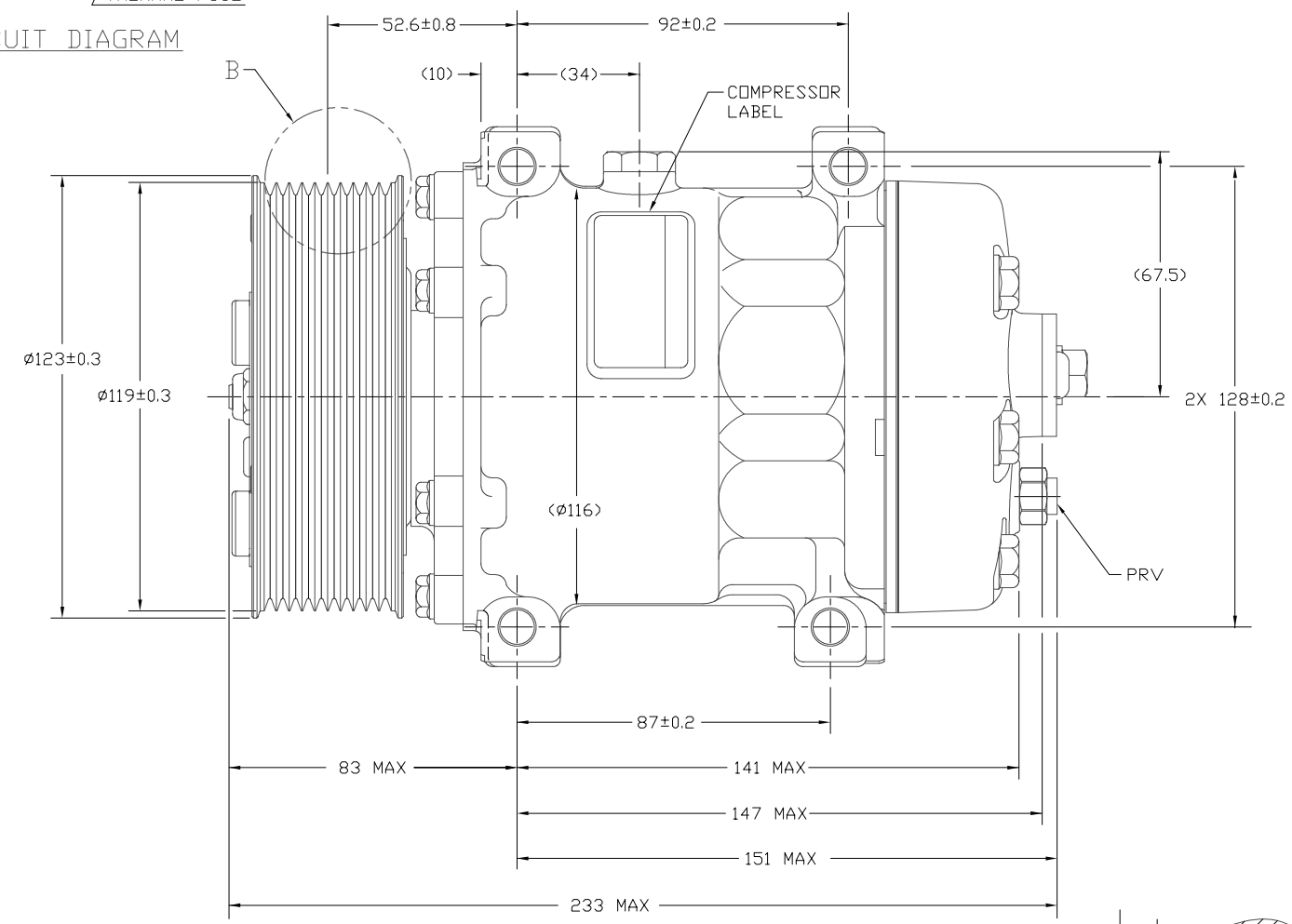
DETAIL B
SCALE 3:1



SECTION C-C
(SECTION WITH O-RINGS, SHIPPING
PAD ASSEMBLY, AND BOLT REMOVED)



CIRCUIT DIAGRAM

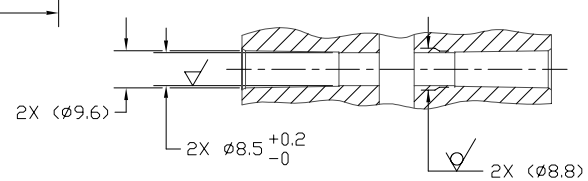


COMPRESSOR SPECIFICATIONS (REF)

DISPLACEMENT PER REVOLUTION	154.9 cc / rev. (9.5cu.in. / rev.)
MAXIMUM ALLOWABLE R.P.M.	8000 R.P.M.
MAXIMUM ALLOWABLE CONTINUOUS R.P.M.	6000 R.P.M.
REFRIGERANT	R134a
OIL (SP-15)	300 cc (10.1 floz.)

CLUTCH SPECIFICATIONS (REF)

RATED VOLTAGE	DC 12V
BREAKAWAY TORQUE	3.5 kgf-m min. @ 12V
MINIMUM ENGAGEMENT VOLTAGE	7.5V @ AIR GAP 0.6mm
POWER CONSUMPTION	49 watts max.
BELT TYPE	PV10 TYPE
MAXIMUM ALLOWABLE BELT TENSION	120 kgf
PULLEY DIAMETER	⌀119mm (4.69 in.)
CLUTCH TYPE	HEAVY DUTY



SECTION A-A
4 PLACES

DO NOT SCALE

REV. LEVEL	RELEASED FOR ENG'G DEVELOPMENT	<p>SANDEN INTERNATIONAL (U.S.A.), INC.</p>	SCALE REF 1:1	PLOTTED SCALE REF 1:1	METRIC
DESIGN	Christy Walf 4/30/07		<p>This drawing and the information contained hereon are CONFIDENTIAL and PROPRIETARY to Sanden International (U.S.A.), Inc. and shall not be used, copied, or disclosed to others without the written permission of Sanden International (U.S.A.), Inc.</p>		
DWN	Jennis Lee 4/25/07	<p>INTERPRETATION OF THIS DRAWING PER ASME Y14.5M-1994</p>			
CHK	Mo Balthazar	THIRD ANGLE PROJECTION		SIZE	D
APPV.	Edward Arrieta	MATERIAL:			
DATE	4/27/07	NAME			
RELEASED FOR	DESIGN VALIDATION	COMPRESSOR, SD7H15 ENHANCED CAPACITY			
DESIGN	Christy Walf 4/30/07	DWG. NO.			
APPV.	Edward Arrieta	4034-6000			
DATE	4/27/07	REV. NO.			
RELEASED FOR	PRODUCTION	A			
DESIGN	Mo Balthazar				
APPV.	Edward Arrieta				
DATE	6/11/07				