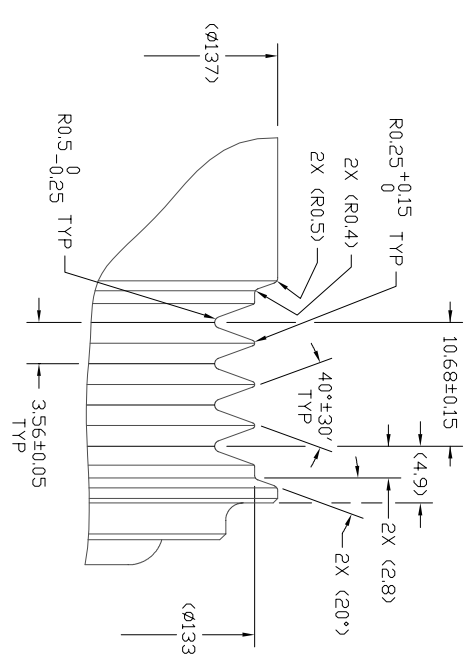
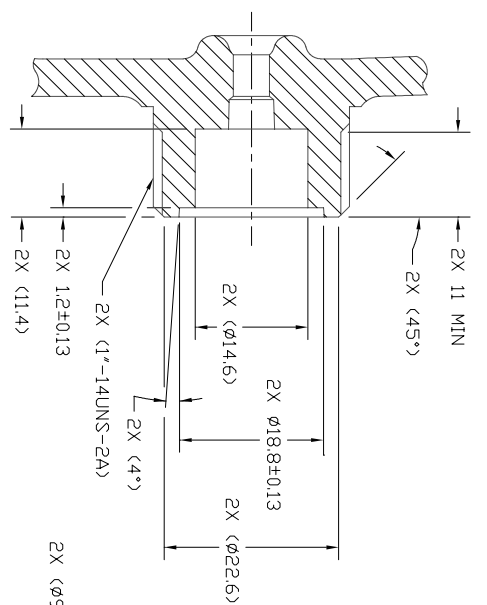
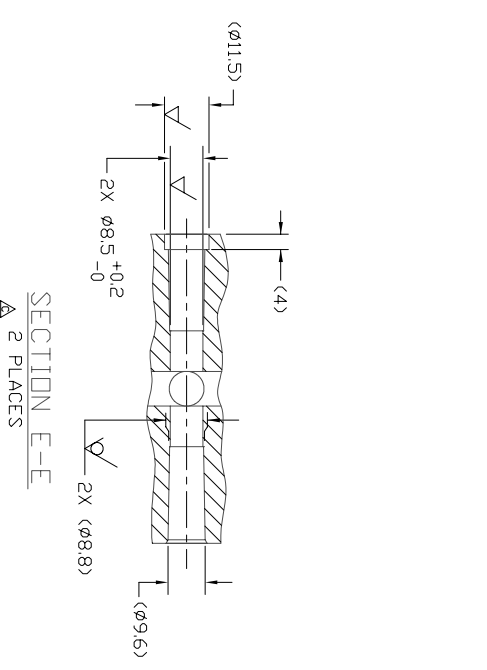


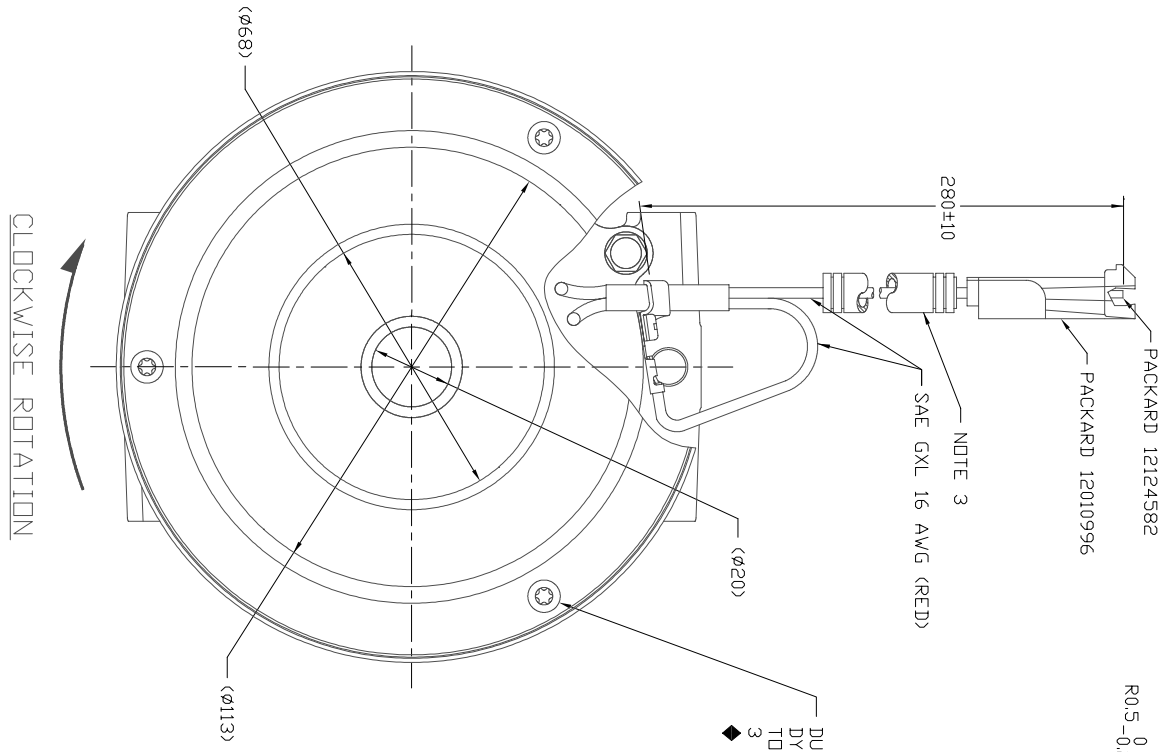
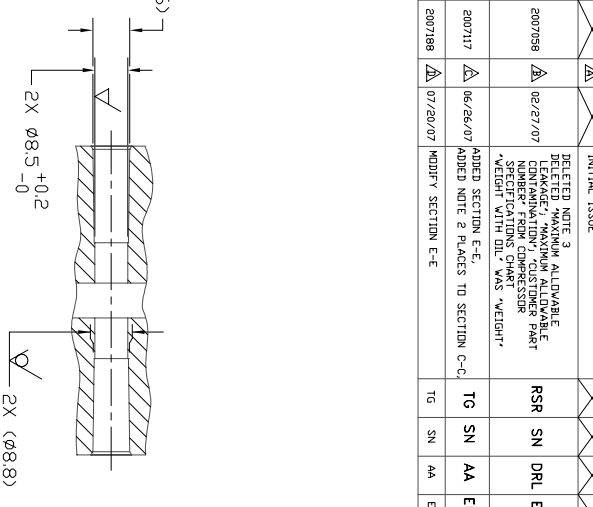
DETAIL A



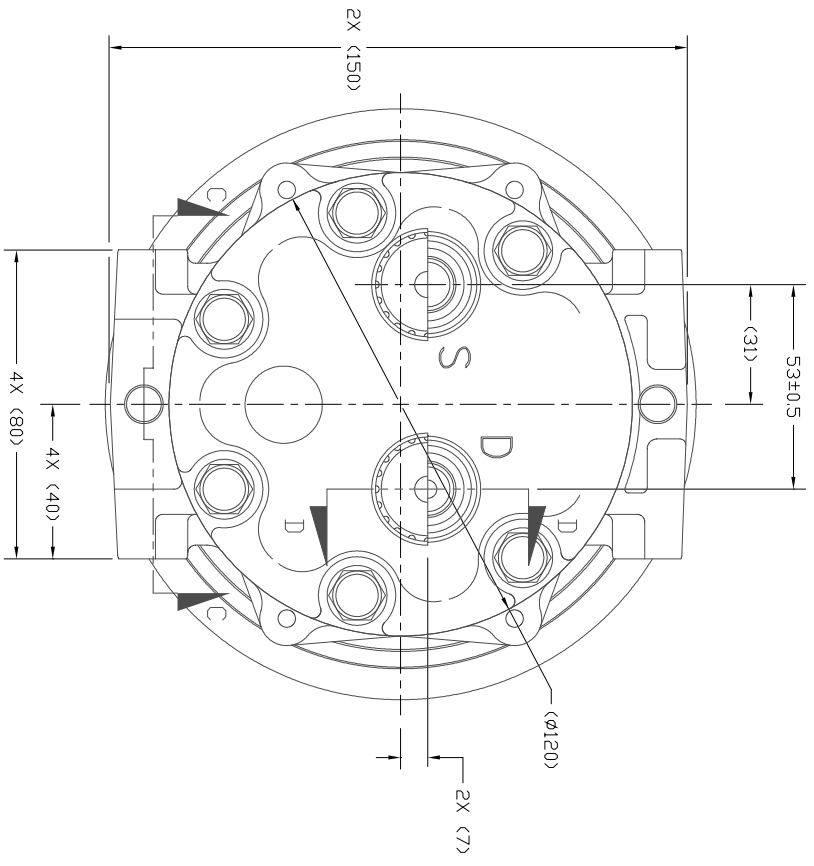
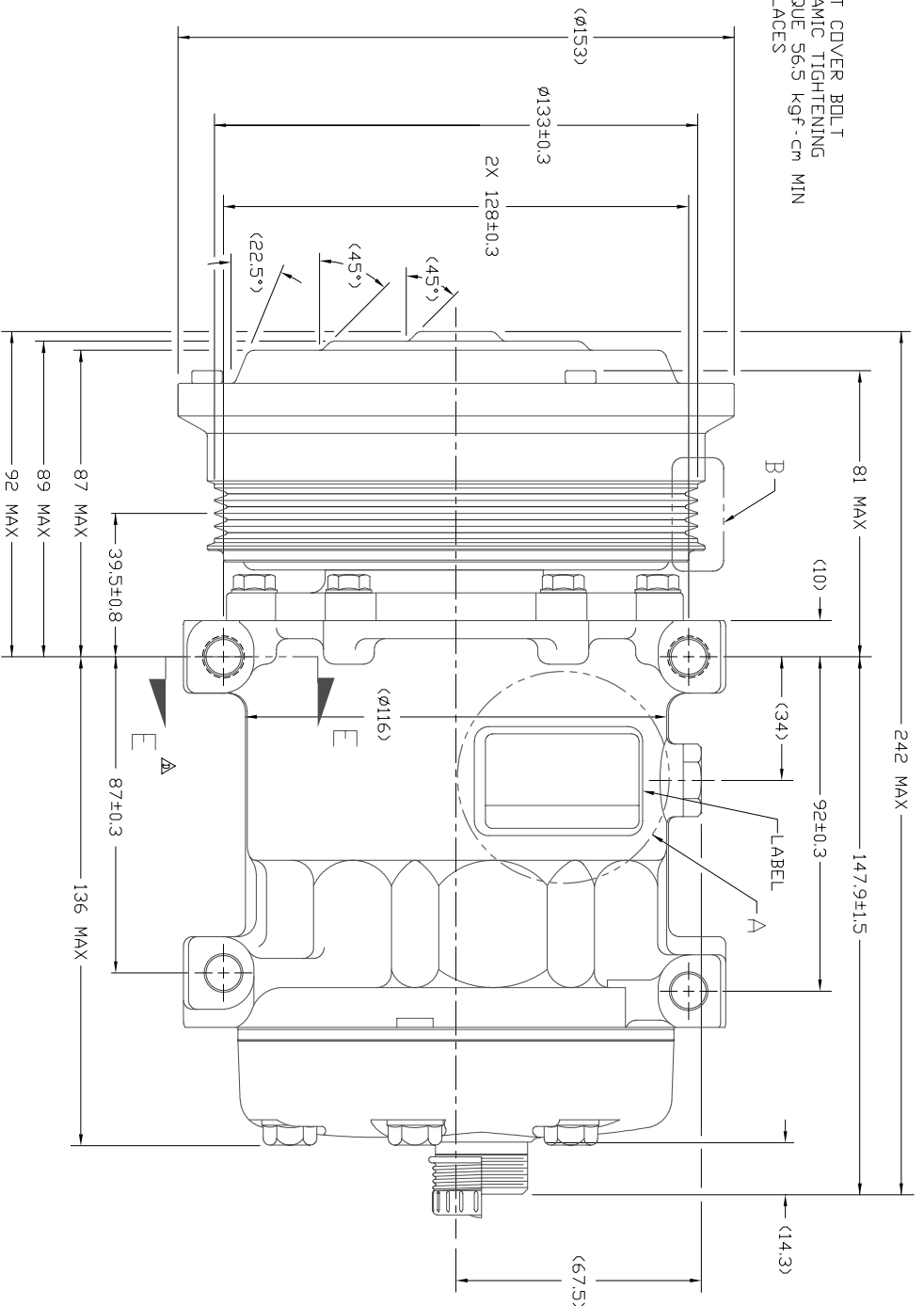
DETAIL B
SCALE - 3:1



SECTION C-C
SCALE - 3:1



DUST COVER BOLT
 DYNAMIC TIGHTENING
 TORQUE 56.5 kgf·cm MIN
 3 PLACES



COMPRESSOR SPECIFICATIONS (REF)

DISPLACEMENT PER REVOLUTION	154.9 cc / rev. (9.5cu.in. / rev.)
MAXIMUM ALLOWABLE R.P.M.	4000 R.P.M.
MINIMUM CONTINUOUS R.P.M.	4000 R.P.M.
MAXIMUM ALLOWABLE CONTINUOUS R.P.M.	4000 R.P.M.
REFRIGERANT	R134a
OIL (SP-15)	200 cc (6.7 flo.oz.)
WEIGHT WITH OIL	TBD

CLUTCH SPECIFICATIONS (REF)

RATED VOLTAGE	DC 12V
BREAKAWAY TORQUE	3.5 kgf·m min. @ 12V
MINIMUM ENGAGEMENT VOLTAGE	7.5V @ AIR GAP 0.6mm
POWER CONSUMPTION	43 watts max.
BELT TYPE	PV4 TYPE
MAXIMUM ALLOWABLE BELT TENSION	120 kgf
PULLEY DIAMETER	φ133 mm (5.23 in.)
CLUTCH TYPE	SEALED HEAVY DUTY

NOTE:

1. COMPRESSOR TO BE CHARGED WITH N2 PRIOR TO SHIPPING.
2. COMPRESSOR SHALL MEET ALL PERFORMANCE REQUIREMENT PER SANDEN ENGINEERING STANDARD SES-CC-214.

REV. A	RELEASED FOR DESIGN	DATE	2/5/07	CHK. DRL	DESIGN	Shilpa Nigam	SCALE	1:1	UNIT	SCHEMATIC
REV. D	RELEASED FOR PRODUCTION	DATE	08/06/07	CHK. E. Arrieta	DESIGN	Shilpa Nigam	SCALE	1:1	UNIT	SCHEMATIC

SANDEN
 SANDEN INTERNATIONAL (U.S.A.), INC.
 111 SOUTH REF. NONE METRIC
 This drawing and the information contained herein are CONFIDENTIAL and Proprietary to Sanden International (U.S.A.), Inc., and received in CONFIDENCE and shall not be disclosed, copied, or reproduced in any form without the written permission of Sanden International (U.S.A.), Inc.
 INTERPRETATION OF THIS DRAWING PER ASME Y14.5M-1994

THIRD ANGLE PROJECTION

MATERIAL

NAME
 COMPRESSOR

DWG. NO.
 4033-6000

REV. D