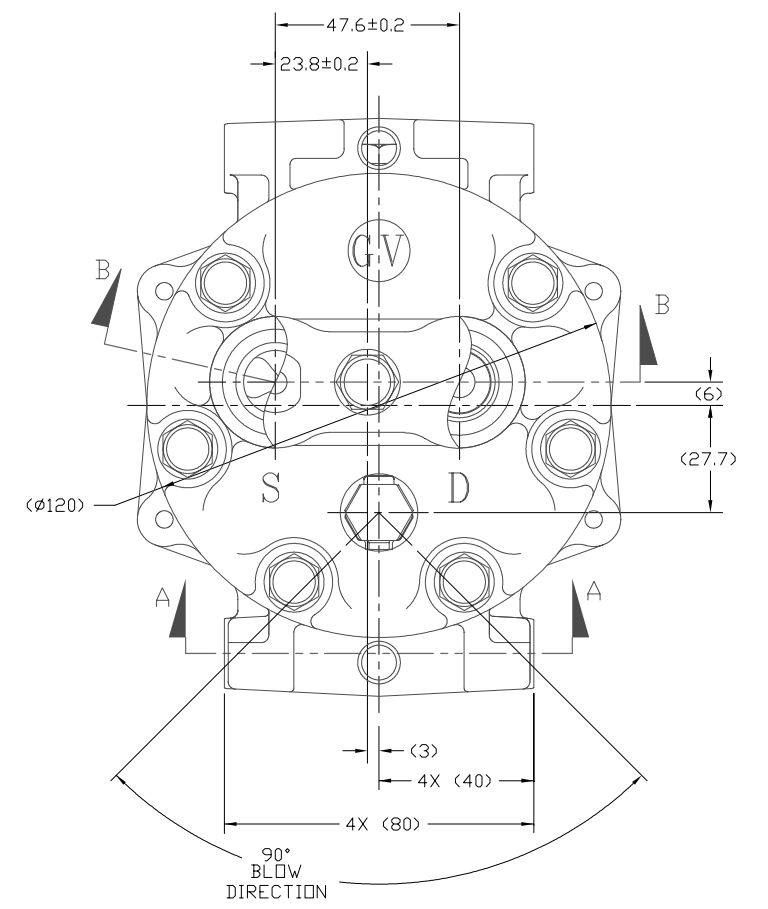
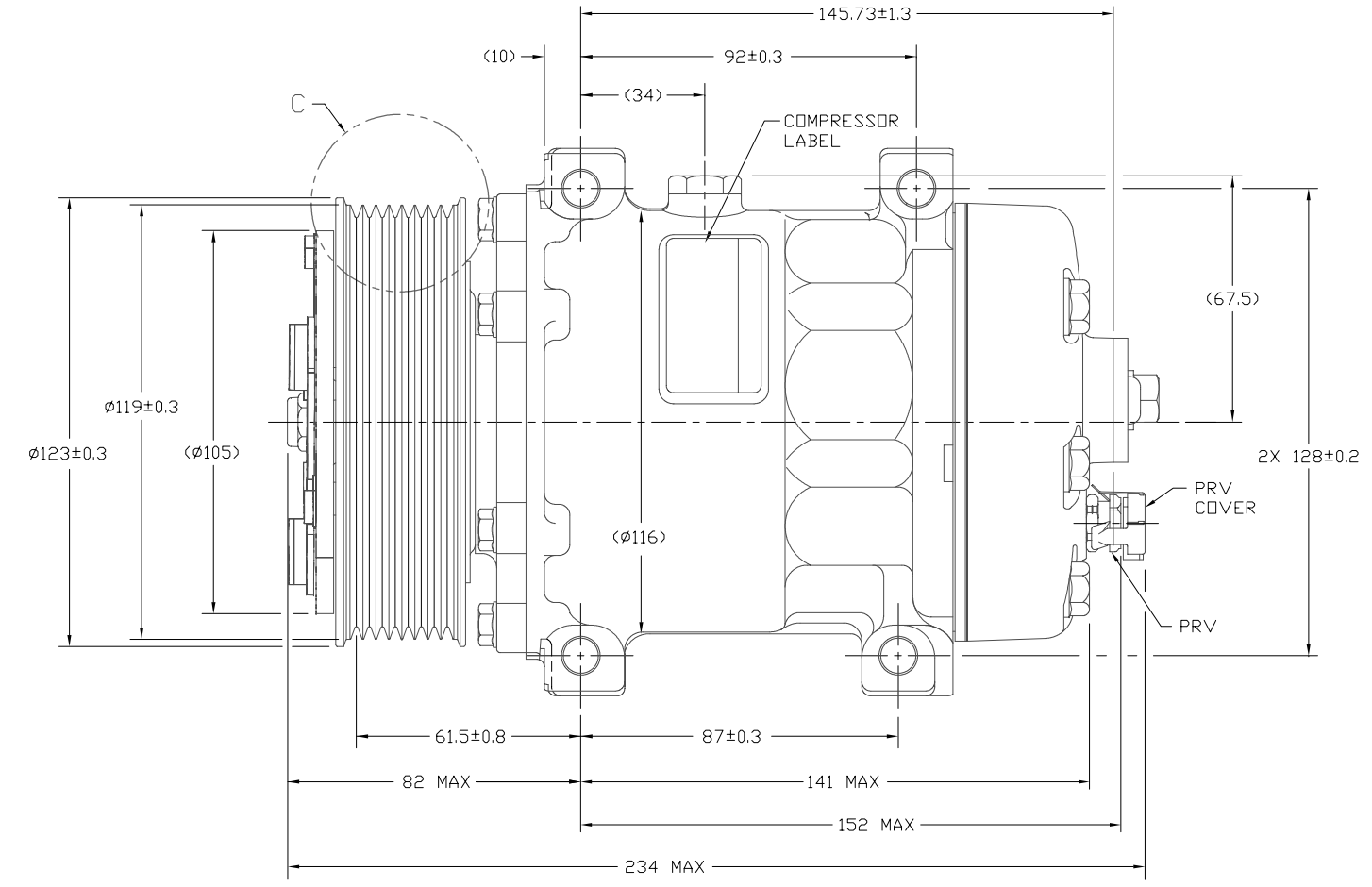
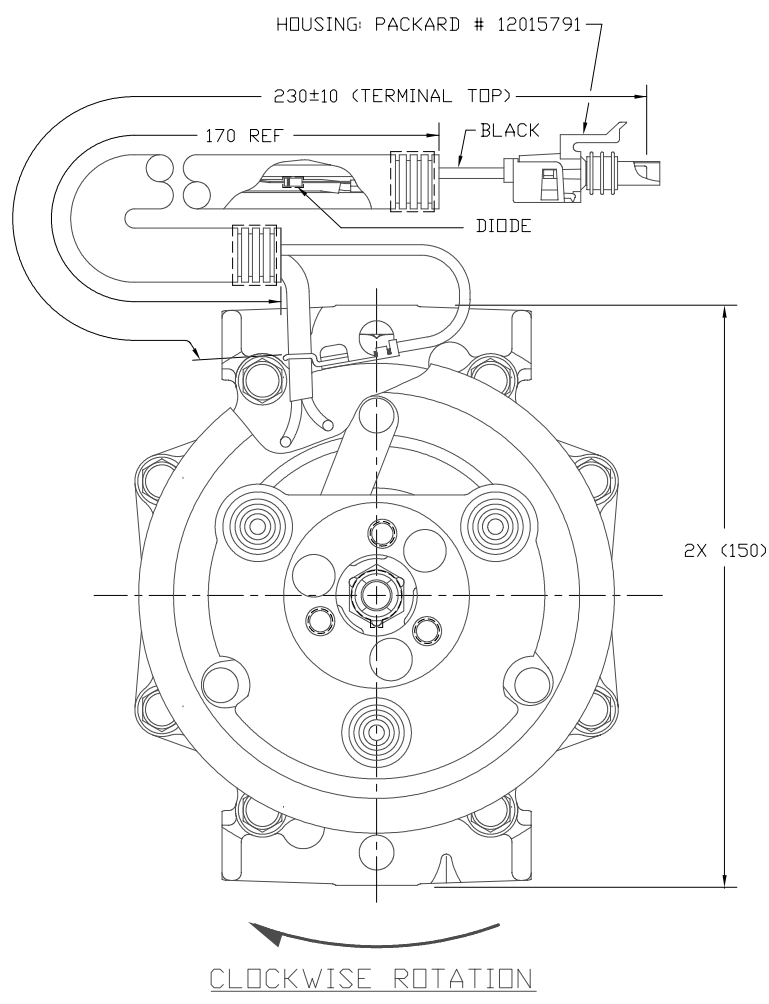
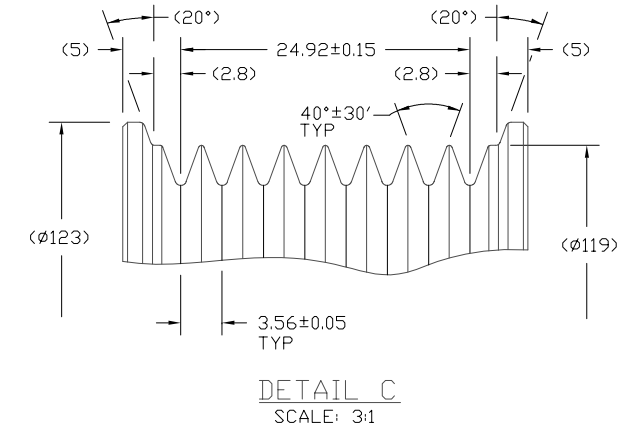
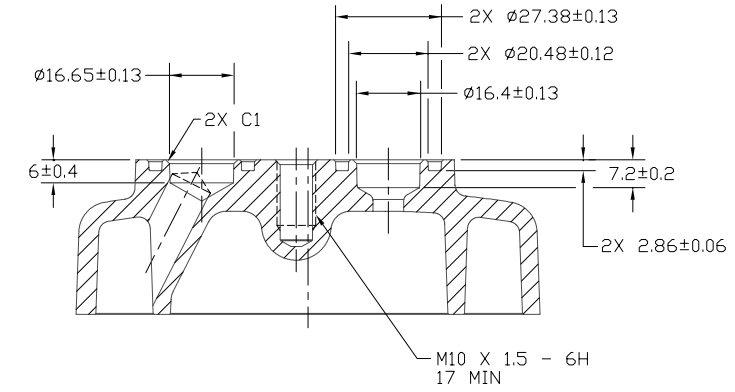
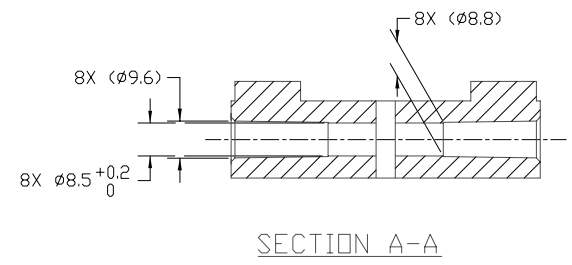
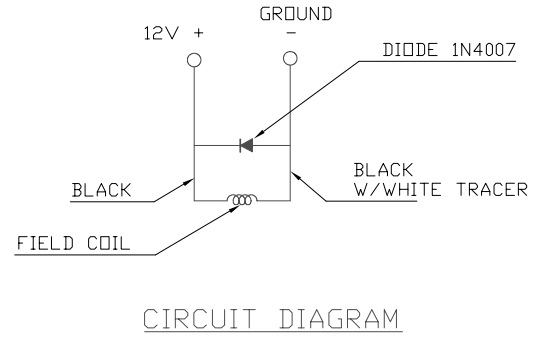


REV.	DATE	BY	CHK	APPV	REVISIONS	DWN	DSGN	CHK	APPV
2007041	02/07/06				INITIAL ISSUE				
					REMOVED JUMPER FROM DRAWING REMOVED "CLUTCH TYPE" AND "STANDARD" FROM CLUTCH SPECIFICATIONS (REF) CHART	RSR	CW	DRL	EMA



**COMPRESSOR SPECIFICATIONS (REF)**

DISPLACEMENT PER REVOLUTION	154.9 cc / rev. ( 9.5cu.in. / rev. )
MAXIMUM ALLOWABLE SPEED	8000 R.P.M.
MAXIMUM ALLOWABLE CONTINUOUS SPEED	6000 R.P.M.
REFRIGERANT	R134a
OIL ( SP-15 )	250 cc ( 8.45 floz. )

**CLUTCH SPECIFICATIONS (REF)**

RATED VOLTAGE	DC 12V
BREAKAWAY TORQUE	3.5 kgf-m min. @ 12V
MINIMUM ENGAGEMENT VOLTAGE	7.5V @ AIR GAP 0.6mm
POWER CONSUMPTION	49 watts max.
BELT TYPE	PV8 TYPE
MAXIMUM ALLOWABLE BELT TENSION	120 kgf
PULLEY DIAMETER	ø119 mm ( 4.69 in. )

NOTE:  
1. N<sub>2</sub> HOLDING CHARGE DELETED.

**DO NOT SCALE**

REV. LEVEL	RELEASED FOR: ENGG. DEVELOPMENT	<p><b>SANDEN</b> SANDEN INTERNATIONAL ( U.S.A. ), INC.</p>	DRWN SCALE REF	1:1	PLOTTED SCALE REF	NONE	METRIC	
DWN	C. Wolff		CHK	R. Rodriguez	APPV	E.M. Arrieta	<p>This drawing and the information contained hereon are CONFIDENTIAL and PROPRIETARY to Sanden International (U.S.A.), Inc., are received in CONFIDENCE and shall not be used, copied, or disclosed to others without the written permission of Sanden International (U.S.A.), Inc.</p>	
REV. LEVEL	RELEASED FOR: DESIGN VALIDATION	INTERPRETATION OF THIS DRAWING PER	ASME Y14.5M-1994					
DWN	C. Wolff	APPV	E.M. Arrieta	THIRD ANGLE PROJECTION	SIZE	D		
REV. LEVEL	RELEASED FOR: PRODUCTION VAL'D.	MATERIAL:	-					
DWN	C. Wolff	NAME	COMPRESSOR					
APPV	E.M. Arrieta	DWG. NO.	4028-6000				REV	B
APPV		DATE						