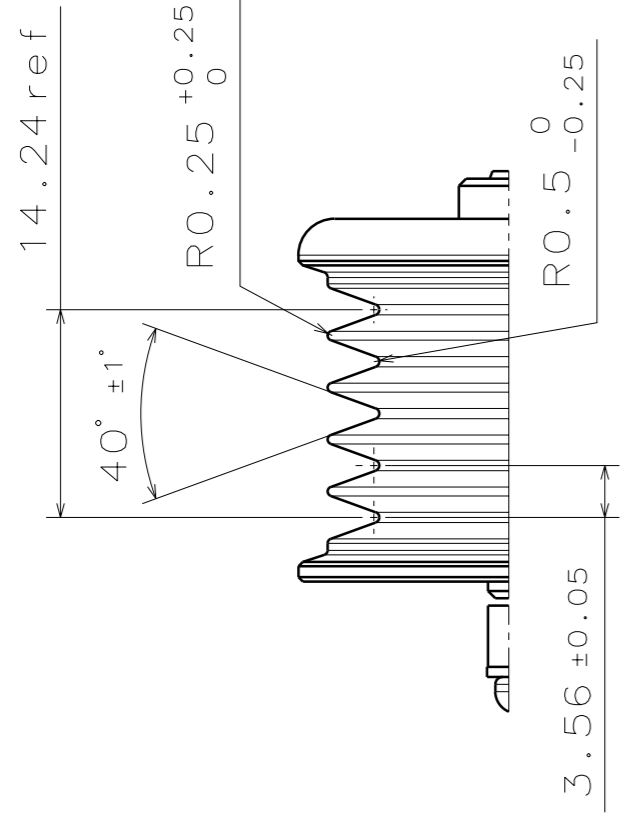


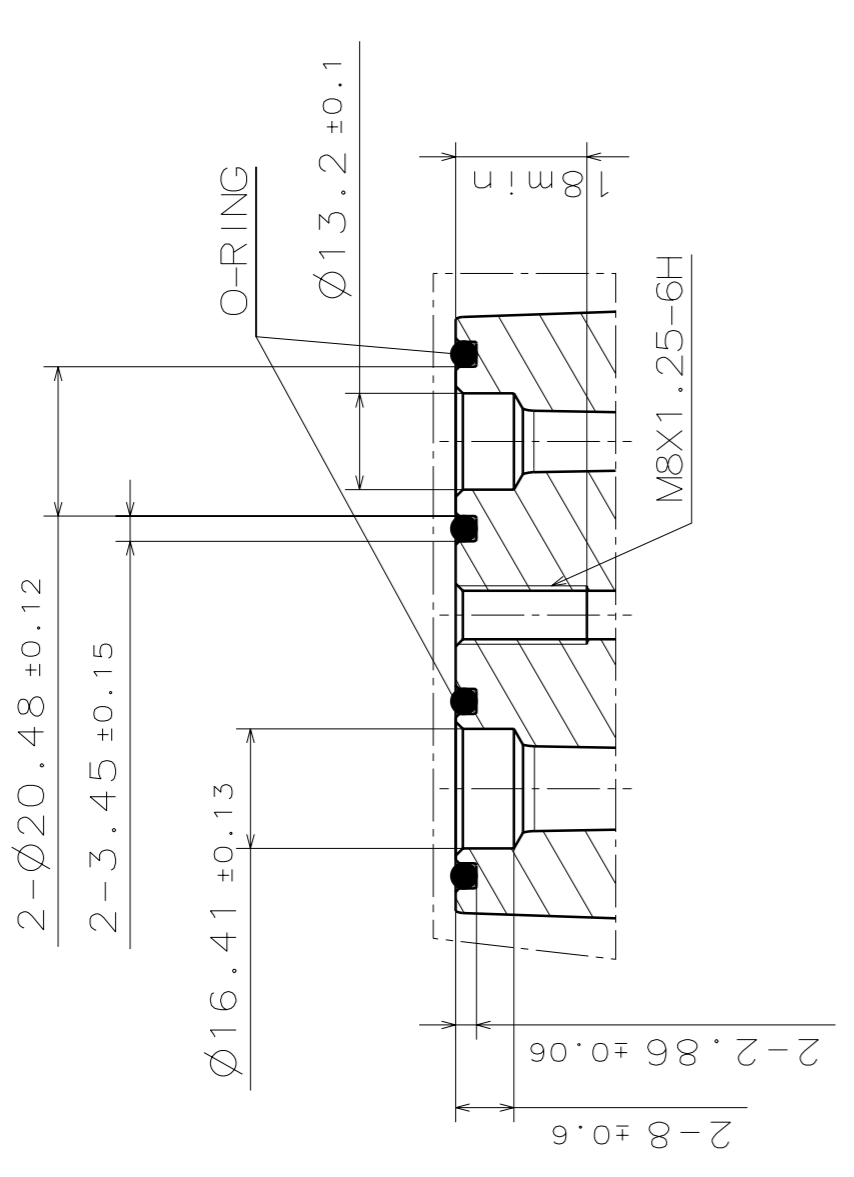
1 2 3 4 5 6 7 8 9 10 11 12 13 14 15

DASHED LINE REPRESENT TRANSPORT FORM.

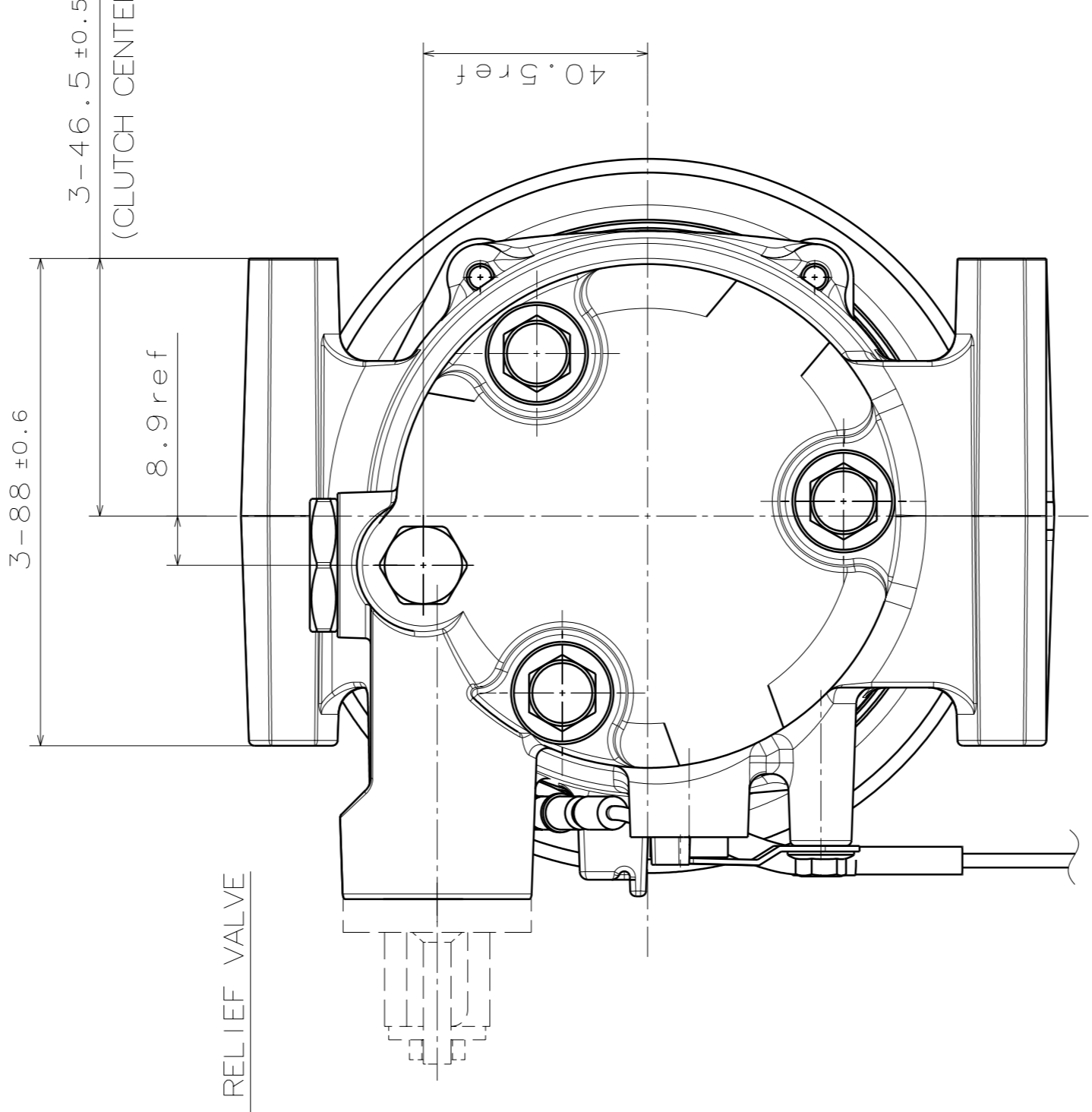
DETAIL A
SCALE 2:1



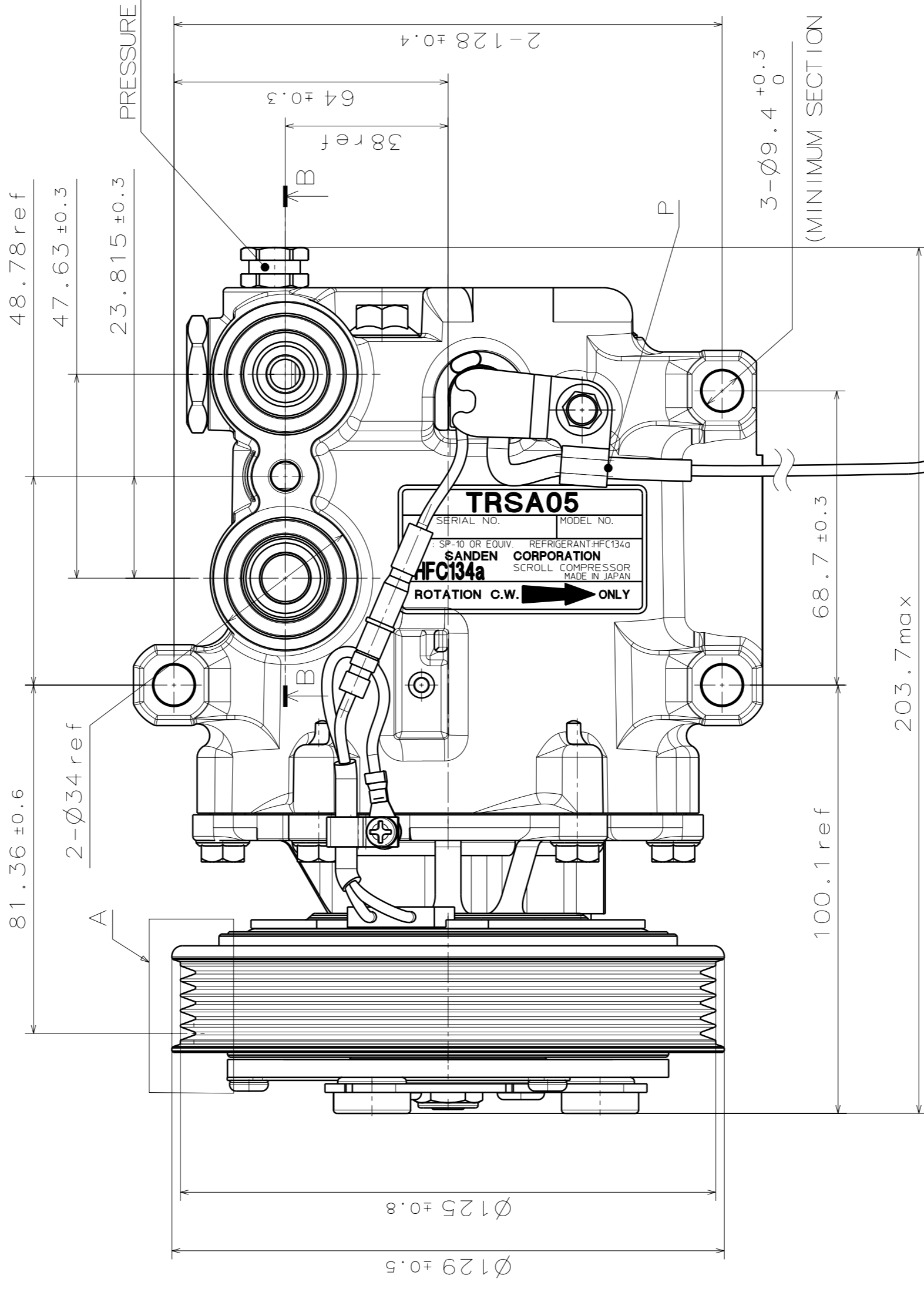
B-B



3-88 ± 0.6
3-46.5 ± 0.5
(CLUTCH CENTER)



PRESSURE RELIEF VALVE



THERMAL PROTECTOR SPECIFICATIONS

Type	Bimetal
Cut off Temperature	125±3 °C
Cut in Temperature	110±6 °C

PRESSURE RELIEF VALVE SPECIFICATIONS

RELIEF PRESSURE	Min 3.50MPa MAX. 4.10MPa
-----------------	--------------------------

SLEEVE: SUMITOMO DENSOU 7230-5873 or EQUIVALENT
TERMINAL: NIPPON TANSHI 18042-2 or EQUIVALENT
LEAD WIRE: AVX1.25
COLOR: RED

150 ± 5 (FROM POINT P)

COMPRESSOR SPECIFICATIONS

Displacement/Rev.	53.9cc/Rev.
MAXIMUM ALLOWABLE CONTINUOUS	10000r.p.m
MAXIMUM DOWNSHIFT SPEED	12000r.p.m
Refrigerant	HFC134a
OIL	SP-10
OIL Charge	80 ¹⁰ cm ³
Rotation(Clutch Side View)	Clockwise
MOUNTING ANGLE	±5°
Weight	3.1 kg (INCLUDE OIL 0.08kg)

CLUTCH SPECIFICATIONS

Rated Voltage	D.C. 12V
MINIMUM BREAKAWAY TORQUE	27.4 N·m
MINIMUM ENGAGEMENT VOLTAGE	7.5V
MAXIMUM POWER CONSUMPTION	43W
MAXIMUM ALLOWABLE CONTINUOUS	10000r.p.m
MAXIMUM DOWNSHIFT SPEED	12000r.p.m
Belt Type	PV5G Type
Pulley Diameter	Ø125 mm
Weight	1.9 kg

MATERIAL		PART NO.		NAME	COMPRESSOR
THIRD ANGLE PROJECTION		SCALE	1:1		
DESIGNED BY	K. Takeuchi	DATE	APR. 12. '06	MODEL	TRSA05B3375
CHECKED BY	K. Ito	DATE	APR. 14. '06	DRAWING NO.	
APPROVED BY	S. Ootake	DATE	APR. 14. '06		3375-6000
NO.		REVISION RECORD	BY	DATE	